

ICUTRONIC FIT CS

Constant Current Compact – Non dimmable



Areas of application

- Suitable for downlights, spotlights and LED panels
- Suitable for indoor SELV installations
- Installation and independent mounting via Cable Clamp Kit possible

Product family benefits

- Higher quality of light thanks to low output ripple current
- High flexibility due to eight different output currents
- Small housing for flexible luminaire designs
- High efficiency
- Long lasting and high reliability
- Safety ensured by OSRAM (SELV)



Product family datasheet

Product family features

- Supply voltage: 220...240 V
- Line frequency: 50 Hz | 60 Hz
- Line voltage: 198...254 V
- According to EN 61347-1, 61347-2-13, 62384
- RI suppression according to CISPR 15
- Line harmonics according to IEC 61000-3-2
- Immunity according to IEC 61547
- Fixed output (no dimming)

Product family datasheet

Technical data

Electrical data

Product description	Nominal input voltage	Mains frequency	Input voltage AC	Total harmonic distortion	Power factor λ
IT FIT 20/220...240/500 CS	220...240 V	50/60 Hz	198...264 V ¹⁾	< 10 % ²⁾	0.75C...0.98 ³⁾
IT FIT 30/220...240/700 CS	220...240 V	50/60 Hz	198...264 V ¹⁾	< 10 % ²⁾	0.98 ³⁾
IT FIT 40/220...240/1A0 CS	220...240 V	50/60 Hz	198...264 V ¹⁾	< 10 % ²⁾	0.90C...0.98 ³⁾
IT FIT 20/220...240/500 CS I	220...240 V	50/60 Hz	198...264 V ¹⁾	< 10 % ²⁾	0.75C...0.98 ³⁾
IT FIT 30/220...240/700 CS I	220...240 V	50/60 Hz	198...264 V ¹⁾	< 10 % ²⁾	0.85C...0.98 ³⁾
IT FIT 40/220...240/1A0 CS I	220...240 V	50/60 Hz	198...264 V ¹⁾	< 10 % ²⁾	0.90C...0.98 ³⁾

Product description	Efficiency in full-load	Device power loss	Protective conductor current	Inrush current	Max. ECG no. on circuit breaker 10 A (C)
IT FIT 20/220...240/500 CS	87 % ⁴⁾	3.1 W ⁵⁾	<0.7 mA	18 A ⁶⁾	35
IT FIT 30/220...240/700 CS	88 % ⁴⁾	3.6 W ¹¹⁾	<0.7 mA	23 A ¹²⁾	42
IT FIT 40/220...240/1A0 CS	89 % ⁴⁾	5.9 W ¹⁴⁾	<0.7 mA	32 A ¹⁵⁾	28
IT FIT 20/220...240/500 CS I	87 % ⁴⁾	3.1 W ⁵⁾	<0.7 mA	18 A ⁶⁾	35
IT FIT 30/220...240/700 CS I	88 % ⁴⁾	3.6 W ¹¹⁾	<0.7 mA	23 A ¹²⁾	42
IT FIT 40/220...240/1A0 CS I	89 % ⁴⁾	5.9 W ¹⁴⁾	<0.7 mA	32 A ¹⁵⁾	28

Product description	Max. ECG no. on circuit breaker 10 A (B)	Max. ECG no. on circuit breaker 16 A (B)	Max. ECG no. on circuit breaker 16 A (C)	Surge capability (L/N-Ground)	Surge capability (L-N)
IT FIT 20/220...240/500 CS	21	33	56	2 kV ⁷⁾	1 kV ⁸⁾
IT FIT 30/220...240/700 CS	25	40	68	2 kV ⁷⁾	1 kV ⁸⁾
IT FIT 40/220...240/1A0 CS	17	27	45	2 kV ⁷⁾	1 kV ⁸⁾
IT FIT 20/220...240/500 CS I	21	33	56	2 kV ⁷⁾	1 kV ⁸⁾
IT FIT 30/220...240/700 CS I	25	40	68	2 kV ⁷⁾	1 kV ⁸⁾
IT FIT 40/220...240/1A0 CS I	17	27	45	2 kV ⁷⁾	1 kV ⁸⁾

Product description	Nominal output voltage	U-OUT (working voltage)	Nominal output current	Output current tolerance	Output ripple current (100 Hz)
IT FIT 20/220...240/500 CS	23...42 V	60 V	150 / 200 / 250 / 300 / 350 / 400 / 450 / 500 mA ⁹⁾	±5 %	< 3 % ¹⁰⁾
IT FIT 30/220...240/700 CS	23...42 V	60 V	350 / 400 / 450 / 500 / 550 / 600 / 650 / 700 mA ¹³⁾	±5 %	< 3 % ¹⁰⁾

Product family datasheet

Product description	Nominal output voltage	U-OUT (working voltage)	Nominal output current	Output current tolerance	Output ripple current (100 Hz)
IT FIT 40/220...240/1A0 CS	23...42 V	60 V	700 / 750 / 800 / 850 / 900 / 950 / 1000 / 1050 mA ¹³⁾	±5 %	< 3 % ¹⁰⁾
IT FIT 20/220...240/500 CS I	23...42 V	60 V	150 / 200 / 250 / 300 / 350 / 400 / 450 / 500 mA ⁹⁾	±5 %	< 3 % ¹⁰⁾
IT FIT 30/220...240/700 CS I	23...42 V	60 V	350 / 400 / 450 / 500 / 550 / 600 / 650 / 700 mA ¹³⁾	±5 %	< 3 % ¹⁰⁾
IT FIT 40/220...240/1A0 CS I	23...42 V	60 V	700 / 750 / 800 / 850 / 900 / 950 / 1000 / 1050 mA ¹³⁾	±5 %	< 3 % ¹⁰⁾

Product description	Output PSTLM	Output SVM	Nominal output power	Maximum output power
IT FIT 20/220...240/500 CS	≤1	≤0.4	3.45...21 W	21 W
IT FIT 30/220...240/700 CS	≤1	≤0.4	8.05...29.4 W	29.4 W
IT FIT 40/220...240/1A0 CS	≤1	≤0.4	16.1...44.1 W	44.1 W
IT FIT 20/220...240/500 CS I	≤1	≤0.4	3.45...21 W	21 W
IT FIT 30/220...240/700 CS I	≤1	≤0.4	8.05...29.4 W	29.4 W
IT FIT 40/220...240/1A0 CS I	≤1	≤0.4	16.1...44.1 W	44.1 W

Product description	Galvanic isolation	Current set	Default output current
IT FIT 20/220...240/500 CS	SELV	DipSwitch	500 mA
IT FIT 30/220...240/700 CS	SELV	DipSwitch	700 mA
IT FIT 40/220...240/1A0 CS	SELV	DipSwitch	1050 mA
IT FIT 20/220...240/500 CS I	SELV	DipSwitch	500 mA
IT FIT 30/220...240/700 CS I	SELV	DipSwitch	700 mA
IT FIT 40/220...240/1A0 CS I	SELV	DipSwitch	1050 mA

Product description	Galvanic isolation primary/secondary
IT FIT 20/220...240/500 CS	SELV
IT FIT 30/220...240/700 CS	SELV
IT FIT 40/220...240/1A0 CS	SELV
IT FIT 20/220...240/500 CS I	SELV
IT FIT 30/220...240/700 CS I	SELV

Product family datasheet

Product description	Galvanic isolation primary/secondary
IT FIT 40/220...240/1A0 CS I	SELV

- 1) Permitted voltage range
- 2) At full load, 230 V, 50 Hz / see graphs
- 3) Full load at 230 V/50 Hz
- 4) at 230 V, 50 Hz
- 5) At 230 V, Input power 24.1 W max.
- 6) $t_{width} = 134 \mu s$ typical, (measured at 50 % I peak)
- 7) L/N – PE acc to EN 61547 Clause 5.7
- 8) L/N
- 9) $\pm 7.5\%$ / $\pm 5\%$
- 10) Ripple average at 100 Hz
- 11) At 230 V, Input power 33 W max.
- 12) $t_{width} = 50 \mu s$ (measured at 50 % I peak)
- 13) $\pm 5\%$
- 14) At 230 V, Input power 50 W max.
- 15) $t_{width} = 100 \mu s$ (measured at 50 % I peak)

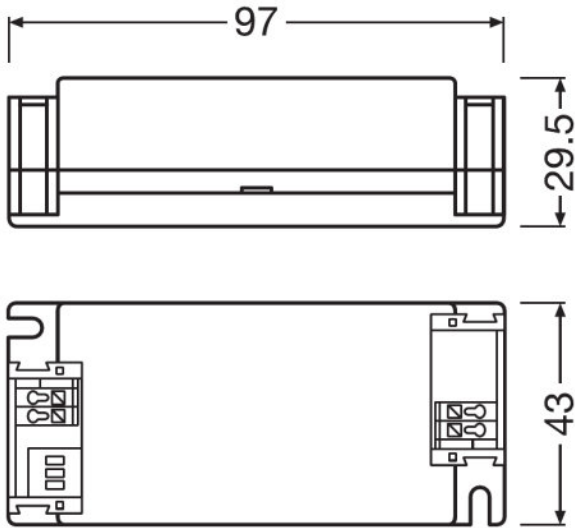
Dimensions & weight

Product description	Mounting hole spacing, length	Mounting hole spacing, width	Product weight	Cable cross-section, input side	Cable cross-section, output side
IT FIT 20/220...240/500 CS	88.0 mm	34.0 mm	92.50 g	0.5...1.5 mm ²	0.5...1.5 mm ²
IT FIT 30/220...240/700 CS	88.0 mm	34.0 mm	99.50 g	0.5...1.5 mm ²	0.5...1.5 mm ²
IT FIT 40/220...240/1A0 CS	88.0 mm	34.0 mm	108.00 g	0.5...1.5 mm ²	0.5...1.5 mm ²
IT FIT 20/220...240/500 CS I	108.0 mm		120.00 g	0.75...1.5 mm ²	0.75...1.5 mm ²
IT FIT 30/220...240/700 CS I	108.0 mm		126.00 g	0.75...1.5 mm ²	0.75...1.5 mm ²
IT FIT 40/220...240/1A0 CS I	108.0 mm		131.00 g	0.75...1.5 mm ²	0.75...1.5 mm ²

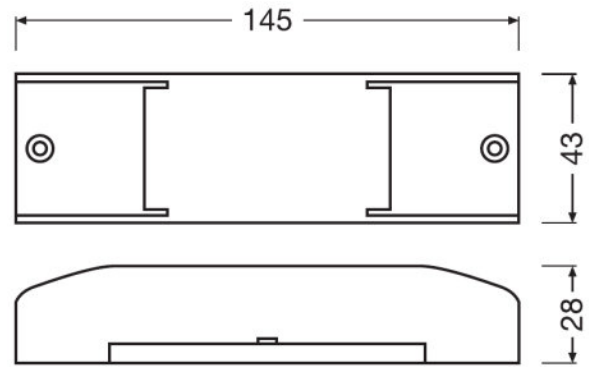
Product description	Wire preparation length, input side	Wire preparation length, output side	Height	Width	Length
IT FIT 20/220...240/500 CS	7...8 mm	7...8 mm	29.5 mm	43.0 mm	97.0 mm
IT FIT 30/220...240/700 CS	7...8 mm	7...8 mm	29.5 mm	43.0 mm	97.0 mm
IT FIT 40/220...240/1A0 CS	7...8 mm	7...8 mm	29.5 mm	43.0 mm	97.0 mm
IT FIT 20/220...240/500 CS I	7...8 mm	7...8 mm	28.0 mm	43.0 mm	145.0 mm
IT FIT 30/220...240/700 CS I	7...8 mm	7...8 mm	28.0 mm	43.0 mm	145.0 mm
IT FIT 40/220...240/1A0 CS I	7...8 mm	7...8 mm	28.0 mm	43.0 mm	145.0 mm

Product family datasheet

Product line drawing



IT FIT 20/220...240/500 CS, IT FIT 30/220...240/700 CS, IT FIT 40/220...240/1A0 CS



IT FIT 20/220...240/500 CS I, IT FIT 30/220...240/700 CS I, IT FIT 40/220...240/1A0 CS I

Colors & materials

Product description	Casing material
IT FIT 20/220...240/500 CS	Plastic
IT FIT 30/220...240/700 CS	Plastic
IT FIT 40/220...240/1A0 CS	Plastic
IT FIT 20/220...240/500 CS I	Plastic
IT FIT 30/220...240/700 CS I	Plastic
IT FIT 40/220...240/1A0 CS I	Plastic

Product family datasheet

Temperatures & operating conditions

Product description	Ambient temperature range	Maximum temperature at tc test point	Max.housing temperature in case of fault	Temperature range at storage
IT FIT 20/220...240/500 CS	-20...+50 °C	70 °C ¹⁾	110 °C	-20...80 °C ²⁾
IT FIT 30/220...240/700 CS	-20...+50 °C	80 °C ¹⁾	110 °C	-20...80 °C ²⁾
IT FIT 40/220...240/1A0 CS	-20...+50/-20...+45 °C ⁴⁾	80 °C ¹⁾	110 °C	-20...80 °C ²⁾
IT FIT 20/220...240/500 CS I	-20...+45 °C	70 °C ¹⁾	110 °C	-20...80 °C ²⁾
IT FIT 30/220...240/700 CS I	-20...+45 °C	80 °C ¹⁾	110 °C	-20...80 °C ²⁾
IT FIT 40/220...240/1A0 CS I	-20...+45 °C	80 °C ¹⁾	110 °C	-20...80 °C ²⁾

Product description	Permitted rel. humidity during operation
IT FIT 20/220...240/500 CS	5...85 % ³⁾
IT FIT 30/220...240/700 CS	5...85 % ³⁾
IT FIT 40/220...240/1A0 CS	5...85 % ³⁾
IT FIT 20/220...240/500 CS I	5...85 % ³⁾
IT FIT 30/220...240/700 CS I	5...85 % ³⁾
IT FIT 40/220...240/1A0 CS I	5...85 % ³⁾

¹⁾ Measured on tc point indicated on the product label.

²⁾ Cool down before operating

³⁾ Maximum 56 days/year at 85 %

⁴⁾ -20...+50 °C @ 700/750/800/850/900 mA/-20...+45 °C @ 950/1000/1050mA

Lifespan

Product description	ECG lifetime
IT FIT 20/220...240/500 CS	50000 h ¹⁾
IT FIT 30/220...240/700 CS	50000 h ²⁾
IT FIT 40/220...240/1A0 CS	50000 h ²⁾
IT FIT 20/220...240/500 CS I	50000 h ¹⁾
IT FIT 30/220...240/700 CS I	50000 h ²⁾
IT FIT 40/220...240/1A0 CS I	50000 h ²⁾

¹⁾ At maximum $T_c = 70^\circ\text{C}$ / 10% failure rate

²⁾ At maximum $T_c = 80^\circ\text{C}$ / 10% failure rate

Product family datasheet

Additional product data

Product description	Encapsulated	Predecessor EAN
IT FIT 20/220...240/500 CS	No	4052899617315
IT FIT 30/220...240/700 CS	No	4052899617322
IT FIT 40/220...240/1A0 CS	No	4052899617339
IT FIT 20/220...240/500 CS I	No	
IT FIT 30/220...240/700 CS I	No	
IT FIT 40/220...240/1A0 CS I	No	

Capabilities

Product description	Dimmable	Overheating protection	Overload protection
IT FIT 20/220...240/500 CS	No	Automatic reversible	Automatic reversible
IT FIT 30/220...240/700 CS	No	Automatic reversible	Automatic reversible
IT FIT 40/220...240/1A0 CS	No	Automatic reversible	Automatic reversible
IT FIT 20/220...240/500 CS I	No	Automatic reversible	Automatic reversible
IT FIT 30/220...240/700 CS I	No	Automatic reversible	Automatic reversible
IT FIT 40/220...240/1A0 CS I	No	Automatic reversible	Automatic reversible

Product description	Short-circuit protection	No-load proof	Intended for no-load operation	Max. cable length to lamp/LED module
IT FIT 20/220...240/500 CS	Automatic reversible	Yes	No	2.0 m ¹⁾
IT FIT 30/220...240/700 CS	Automatic reversible	Yes	No	2.0 m ¹⁾
IT FIT 40/220...240/1A0 CS	Automatic reversible	Yes	No	2.0 m ¹⁾
IT FIT 20/220...240/500 CS I	Automatic reversible	Yes	No	2.0 m ¹⁾
IT FIT 30/220...240/700 CS I	Automatic reversible	Yes	No	2.0 m ¹⁾
IT FIT 40/220...240/1A0 CS I	Automatic reversible	Yes	No	2.0 m ¹⁾

Product description	Suitable for fixtures with prot. class	Type of connection, input side	Type of connection, output side
IT FIT 20/220...240/500 CS	I / II	Push terminal	Push terminal
IT FIT 30/220...240/700 CS	I / II	Push terminal	Push terminal
IT FIT 40/220...240/1A0 CS	I / II	Push terminal	Push terminal
IT FIT 20/220...240/500 CS I	I / II	Push terminal	Push terminal
IT FIT 30/220...240/700 CS I	I / II	Push terminal	Push terminal
IT FIT 40/220...240/1A0 CS I	I / II	Push terminal	Push terminal

Product description	Suitable for through-wiring	Number of channels	Programming interface
IT FIT 20/220...240/500 CS	Yes with optional cable clamp	1	Dipswitch
IT FIT 30/220...240/700 CS	Yes with optional cable clamp	1	Dipswitch
IT FIT 40/220...240/1A0 CS	Yes with optional cable clamp	1	Dipswitch
IT FIT 20/220...240/500 CS I	No	1	Dipswitch

Product family datasheet

Product description	Suitable for through-wiring	Number of channels	Programming interface
IT FIT 30/220...240/700 CS I	No	1	Dipswitch
IT FIT 40/220...240/1A0 CS I	No	1	Dipswitch

¹⁾ Output wires must be routed as close as possible to each other

Programming

Product description	Programming device
IT FIT 20/220...240/500 CS	DIPswitch
IT FIT 30/220...240/700 CS	DIPswitch
IT FIT 40/220...240/1A0 CS	DIPswitch
IT FIT 20/220...240/500 CS I	DIPswitch
IT FIT 30/220...240/700 CS I	DIPswitch
IT FIT 40/220...240/1A0 CS I	DIPswitch

Product family datasheet

Certificates & standards

Product description	Approval marks – approval	Standards	Type of protection	Protection class
IT FIT 20/220...240/500 CS	CE / CCC / RCM / UKCA / ENEC 25	Acc. to IEC 61347-1/Acc. to IEC 61347-2-13/Acc. to IEC 62384/Acc. to CISPR 15/Acc. to IEC 61000-3-2/Acc. to IEC 61000-3-3/Acc. to IEC 61547	IP20	I,II
IT FIT 30/220...240/700 CS	CE / CCC / RCM / UKCA / ENEC 25	Acc. to IEC 61347-1/Acc. to IEC 61347-2-13/Acc. to IEC 62384/Acc. to CISPR 15/Acc. to IEC 61000-3-2/Acc. to IEC 61000-3-3/Acc. to IEC 61547	IP20	I,II
IT FIT 40/220...240/1A0 CS	CE / CCC / RCM / UKCA / ENEC 25	Acc. to IEC 61347-1/Acc. to IEC 61347-2-13/Acc. to IEC 62384/Acc. to CISPR 15/Acc. to IEC 61000-3-2/Acc. to IEC 61000-3-3/Acc. to IEC 61547	IP20	I,II
IT FIT 20/220...240/500 CS I	CE / CCC / RCM / UKCA / ENEC 25	Acc. to IEC 61347-1/Acc. to IEC 61347-2-13/Acc. to IEC 62384/Acc. to CISPR 15/Acc. to IEC 61000-3-2/Acc. to IEC 61000-3-3/Acc. to IEC 61547	IP20	II
IT FIT 30/220...240/700 CS I	CE / CCC / RCM / UKCA / ENEC 25	Acc. to IEC 61347-1/Acc. to IEC 61347-2-13/Acc. to IEC 62384/Acc. to CISPR 15/Acc. to IEC 61000-3-2/Acc. to IEC 61000-3-3/Acc. to IEC 61547	IP20	II
IT FIT 40/220...240/1A0 CS I	CE / CCC / RCM / UKCA / ENEC 25	Acc. to IEC 61347-1/Acc. to IEC 61347-2-13/Acc. to IEC 62384/Acc. to CISPR 15/Acc. to IEC 61000-3-2/Acc. to IEC 61000-3-3/Acc. to IEC 61547	IP20	II

Logistical data

Product description	Commodity code
IT FIT 20/220...240/500 CS	850440839000
IT FIT 30/220...240/700 CS	850440839000
IT FIT 40/220...240/1A0 CS	850440839000
IT FIT 20/220...240/500 CS I	850440839000
IT FIT 30/220...240/700 CS I	850440839000
IT FIT 40/220...240/1A0 CS I	850440839000

Product family datasheet

Environmental information Information according Art. 33 of EU Regulation (EC) 1907/2006 (REACH)

Product description	Date of Declaration	Primary Article Identifier	Candidate List Substance 1
IT FIT 20/220...240/500 CS	25-05-2023	4062172326346	Lead
IT FIT 30/220...240/700 CS	21-04-2023	4062172326360	Lead
IT FIT 40/220...240/1A0 CS	25-05-2023	4062172326384	Lead
IT FIT 20/220...240/500 CS I	25-05-2023	4062172326285	Lead
IT FIT 30/220...240/700 CS I	25-05-2023	4062172326308	Lead
IT FIT 40/220...240/1A0 CS I	25-05-2023	4062172326322	Lead

Product description	CAS No. of substance 1	Safe Use Instruction	Declaration No. in SCIP database
IT FIT 20/220...240/500 CS	7439-92-1	The identification of the Candidate List substance is sufficient to allow safe use of the article.	b0faf768-28d2-413f-8bf0-e6a05cc94c4e
IT FIT 30/220...240/700 CS	7439-92-1	The identification of the Candidate List substance is sufficient to allow safe use of the article.	8400739c-f4f9-48c6-b0cd-2c21e4d1e89b
IT FIT 40/220...240/1A0 CS	7439-92-1	The identification of the Candidate List substance is sufficient to allow safe use of the article.	cefc8e41-8482-4c92-a16a-6d4c7aaf0566
IT FIT 20/220...240/500 CS I	7439-92-1	The identification of the Candidate List substance is sufficient to allow safe use of the article.	a168e0d1-cfc2-4223-9a2d-9f73be573c61
IT FIT 30/220...240/700 CS I	7439-92-1	The identification of the Candidate List substance is sufficient to allow safe use of the article.	acff5385-9217-4a47-85b2-1d6730183cbc
IT FIT 40/220...240/1A0 CS I	7439-92-1	The identification of the Candidate List substance is sufficient to allow safe use of the article.	d0f283e2-da6e-4c17-b8b6-98a27d79b552

Application advice

For more detailed application information and graphics please see product datasheet.

Additional product information


– Hot plug-in or secondary switching of LEDs is not permitted and may cause a very high current to the LEDs.

Sales and Technical Support

Sales and Technical Support www.osram.com

Product family datasheet

Download Data

File	
	User instruction IT FIT 220-240 CS UI 15116985 120122
	Certificates IT FIT 20 30 40 CS ENEC U6 084117 0135 210423
	CAD data 3-dim IT FIT 220-240 CS CAD3PDF 120122
	User instruction IT FIT 220-240 CS I UI 15116377 120122
	Certificates IT FIT 220-240 CS I CB 211-14220479 120122
	Certificates IT FIT 20 30 40 CS I ENEC U6 084117 0136 210423
	CAD data 3-dim IT FIT 220-240 CS ICAD3PDF 120122

Ecodesign regulation information:

Intended for use with LED modules.

The forward voltage of the LED light source shall be within the defined operating window of the control gear in all operating conditions including dimming if applicable.

Separate control gear and light sources must be disposed of at certified disposal companies in accordance with Directive 2012/19/EU (WEEE) in the EU and with Waste Electrical and Electronic Equipment (WEEE) Regulations 2013 in the UK. For this purpose, collection points for recycling centres and take-back systems (CRSO) are available from retailers or private disposal companies, which accept separate control gear and light sources free of charge. In this way, raw materials are conserved and materials are recycled.

Logistical Data

Product code	Product description	Packaging unit (Pieces/Unit)	Dimensions (length x width x height)	Volume	Gross weight
4062172326346	IT FIT 20/220...240/500 CS	Shipping carton box 50	225 mm x 214 mm x 180 mm	8.67 dm ³	4930.00 g
4062172326360	IT FIT 30/220...240/700 CS	Shipping carton box 50	225 mm x 214 mm x 180 mm	8.67 dm ³	5280.00 g
4062172326384	IT FIT 40/220...240/1A0 CS	Shipping carton box 50	225 mm x 214 mm x 180 mm	8.67 dm ³	5705.00 g
4062172326285	IT FIT 20/220...240/500 CS I	Shipping carton box 50	310 mm x 225 mm x 170 mm	11.86 dm ³	6388.00 g

Product family datasheet

Logistical Data

4062172326308	IT FIT 30/220...240/700 CS I	Shipping carton box 50	310 mm x 225 mm x 170 mm	11.86 dm ³	6688.00 g
4062172326322	IT FIT 40/220...240/1A0 CS I	Shipping carton box 50	310 mm x 225 mm x 170 mm	11.86 dm ³	6938.00 g

The mentioned product code describes the smallest quantity unit which can be ordered. One shipping unit can contain one or more single products. When placing an order, for the quantity please enter single or multiples of a shipping unit.

Accessories Optional

Product description	Accessory name	Accessory code
IT FIT 20/220...240/500 CS	OT CABLE CLAMP D-STYLE	▶ 4062172345507
IT FIT 20/220...240/500 CS	OT CABLE CLAMP D-STYLE TL	▶ 4062172349185
IT FIT 30/220...240/700 CS	OT CABLE CLAMP D-STYLE	▶ 4062172345507
IT FIT 30/220...240/700 CS	OT CABLE CLAMP D-STYLE TL	▶ 4062172349185
IT FIT 40/220...240/1A0 CS	OT CABLE CLAMP D-STYLE	▶ 4062172345507
IT FIT 40/220...240/1A0 CS	OT CABLE CLAMP D-STYLE TL	▶ 4062172349185

Disclaimer

Subject to change without notice. Errors and omission excepted. Always make sure to use the most recent release.