

OLUX[®] LED FOUNTAIN light

Datasheet



By providing a IP68 performance up to 3 meter depth, OLUX[®] LED FOUNTAIN light is designed for extended landscape areas. It comes with OSRAM good performance, quality and reliability with minimized initial investment. OLUX[®] LED FOUNTAIN shares the same beam angle, CCT and lumen output as other members of OSRAM landscape family. The application-oriented features and various customization options make it an indispensable element to achieve appealing and comfortable lighting effects in landscape, architectural and urban applications.

BENEFITS

- **Wide options**
Two powers – 12W and 24W
Two voltages – DC12V and DC24V
Three CCTs – 3000K, 4000K and 5700K
Three beam angles – 12°, 20°, 30°
Customization options – Angle 50°, color Red, Green, Blue and Amber
- **Reliable**
IP68 and IK08 protection
Compact and robust design
316 stainless steel housing
- **Cast light anywhere**
Swivel angle of 180°, flexible positioning and aiming in lighting design/installation
- **Environmental friendly**
Contains no hazardous materials

APPLICATIONS

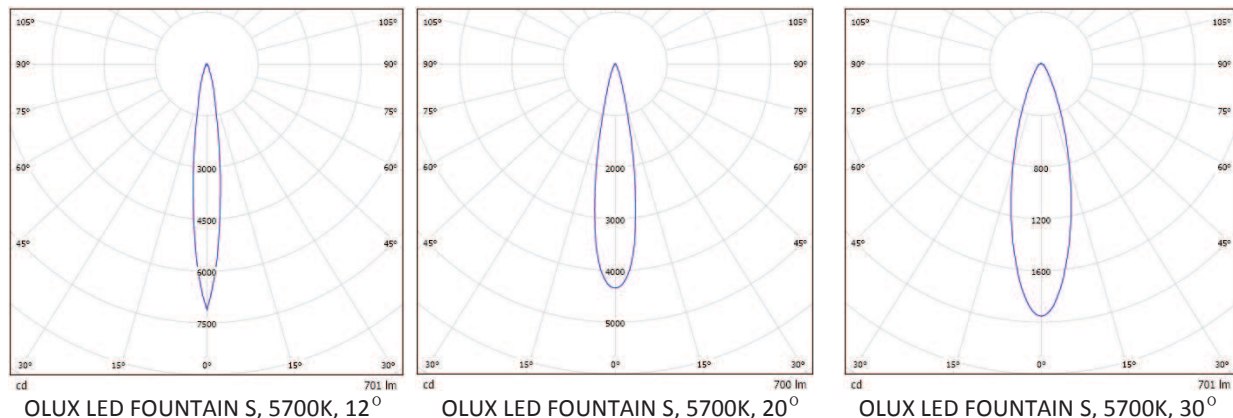
- **Waterscape**
Fountain at square, plaza, amusement park etc.
Pool at hotel, stadium, park, business plaza, etc.
- **Landscape**
Plants, columns, statues, etc.

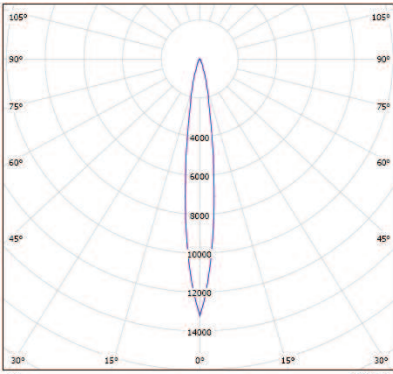
SPECIFICATION

| OLUX LED FOUNTAIN | | S | | | M | | |
|-------------------|--------------------------|------------------------------------|-----|-----|------------|-----|-----|
| Optical* | Typical lumens @3000K | 600lm | | | 1200lm | | |
| | Typical lumens @4000K | 750lm | | | 1500lm | | |
| | Typical lumens @5700K | 900lm | | | 1800lm | | |
| | Beam angle | 12° | 20° | 30° | 12° | 20° | 30° |
| | CCT (typical) | 3000K, 4000K, 5700K | | | | | |
| | CRI | WW>80, CW>70 | | | | | |
| | Lifetime | 35,000 hrs @ Ta=35°C | | | | | |
| Electrical | Input | DC12V, DC24V | | | | | |
| | System Power | 12W | | | 24W | | |
| Mechanical | IP | IP68 | | | | | |
| | Depth | 3m | | | | | |
| | IK | IK08 | | | | | |
| | Dimension (mm) | 112x68x142 | | | 140x68x168 | | |
| | Weight | 2.0±0.2Kg | | | 2.7±0.2kg | | |
| | Cable | Luminaire power cable 3m in length | | | | | |
| | Housing material | Stainless steel 316 | | | | | |
| | Housing color | Metal silver | | | | | |
| Temperature | Ambient (Ta in free air) | -25 ... 40°C | | | | | |
| | Storage | -30 ... 85°C | | | | | |
| | Certification | CE, CB, CQC | | | | | |
| | Class | Class III | | | | | |
| | Environment | RoHS | | | | | |

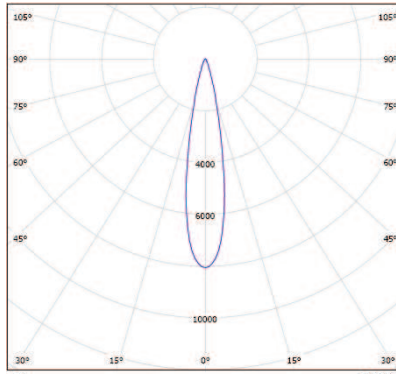
* The typical data of technical parameters can only reflect statistical figures and do not necessarily correspond to the actual parameters of each single product. Actual lumen output can be varied due to many factors like lamp factor of LED, input current/voltage, thermal conditions, optical tolerance, and even measurement tolerance. Therefore the data above is for reference only. If customers have any specific demand on particular parameters, please contact Osram sales or marketing staff for advice.

PHOTOMETRICS

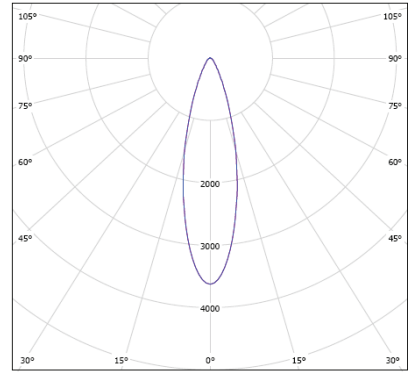




OLUX LED FOUNTAIN M, 5700K, 12°

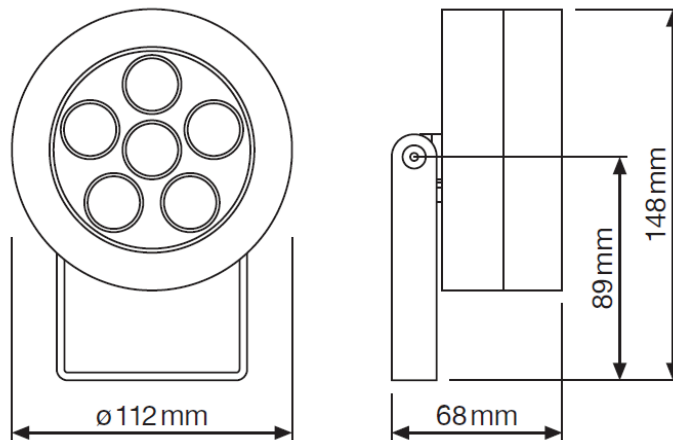


OLUX LED FOUNTAIN M, 5700K, 20°

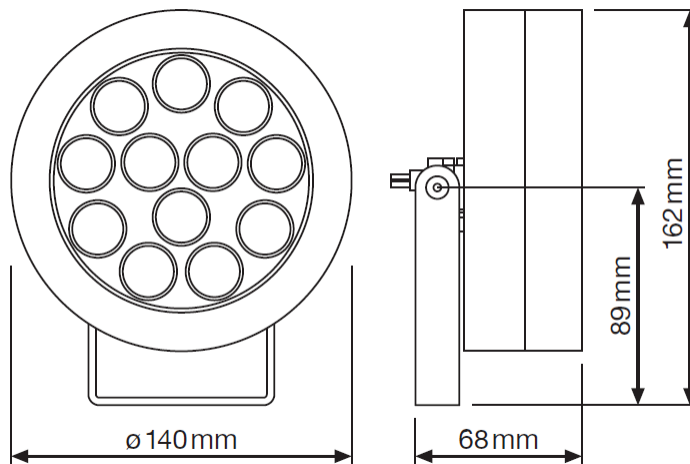


OLUX LED FOUNTAIN M, 5700K, 30°

DRAWINGS



OLUX LED Fountain S



OLUX LED Fountain M

ORDERING CODE

APAC VERSION (CE, CB)

| Voltage | Short text | Size (Wattage) | CCT | Beam Angle | EAN10 | EAN40 | Shipping Unit |
|---------|---------------------------------------|----------------|-------|---------------|---------------|---------------|---------------|
| DC12V | OLUX LED FOUNTAIN S12V 830N 4X1 OSRAM | S - 12W | 3000K | 12° | 4052899088771 | 4052899088788 | 4 |
| | 20° | | | 4052899088795 | 4052899088801 | 4 | |
| | 30° | | | 4052899088818 | 4052899088825 | 4 | |
| | OLUX LED FOUNTAIN S12V 830W 4X1 OSRAM | | 4000K | 12° | 4052899088832 | 4052899088849 | 4 |
| | OLUX LED FOUNTAIN S12V 740N 4X1 OSRAM | | | 20° | 4052899088856 | 4052899088863 | 4 |
| | OLUX LED FOUNTAIN S12V 740W 4X1 OSRAM | | | 30° | 4052899088870 | 4052899088887 | 4 |
| | OLUX LED FOUNTAIN S12V 757N 4X1 OSRAM | | | 12° | 4052899088894 | 4052899088900 | 4 |
| | OLUX LED FOUNTAIN S12V 757M 4X1 OSRAM | | | 20° | 4052899088917 | 4052899088924 | 4 |
| | OLUX LED FOUNTAIN S12V 757W 4X1 OSRAM | | | 30° | 4052899088931 | 4052899088948 | 4 |
| | OLUX LED FOUNTAIN M12V 830N 4X1 OSRAM | M - 24W | 3000K | 12° | 4052899088955 | 4052899088962 | 4 |
| | OLUX LED FOUNTAIN M12V 830M 4X1 OSRAM | | | 20° | 4052899088979 | 4052899088986 | 4 |
| | OLUX LED FOUNTAIN M12V 830W 4X1 OSRAM | | | 30° | 4052899088993 | 4052899089006 | 4 |
| | OLUX LED FOUNTAIN M12V 740N 4X1 OSRAM | | 4000K | 12° | 4052899089013 | 4052899089020 | 4 |
| | OLUX LED FOUNTAIN M12V 740M 4X1 OSRAM | | | 20° | 4052899089037 | 4052899089044 | 4 |
| | OLUX LED FOUNTAIN M12V 740W 4X1 OSRAM | | | 30° | 4052899089051 | 4052899089068 | 4 |
| | OLUX LED FOUNTAIN M12V 757N 4X1 OSRAM | | 5700K | 12° | 4052899089075 | 4052899089082 | 4 |
| | OLUX LED FOUNTAIN M12V 757M 4X1 OSRAM | | | 20° | 4052899089099 | 4052899089105 | 4 |
| | OLUX LED FOUNTAIN M12V 757W 4X1 OSRAM | | | 30° | 4052899089112 | 4052899089129 | 4 |
| DC24V | OLUX LED FOUNTAIN S24V 830N 4X1 OSRAM | S - 12W | 3000K | 12° | 4052899089594 | 4052899089600 | 4 |
| | OLUX LED FOUNTAIN S24V 830M 4X1 OSRAM | | | 20° | 4052899089617 | 4052899089624 | 4 |
| | OLUX LED FOUNTAIN S24V 830W 4X1 OSRAM | | | 30° | 4052899089631 | 4052899089648 | 4 |
| | OLUX LED FOUNTAIN S24V 740N 4X1 OSRAM | | 4000K | 12° | 4052899089655 | 4052899089662 | 4 |
| | OLUX LED FOUNTAIN S24V 740M 4X1 OSRAM | | | 20° | 4052899089679 | 4052899089686 | 4 |
| | OLUX LED FOUNTAIN S24V 740W 4X1 OSRAM | | | 30° | 4052899089693 | 4052899089709 | 4 |
| | OLUX LED FOUNTAIN S24V 757N 4X1 OSRAM | | 5700K | 12° | 4052899089716 | 4052899089723 | 4 |
| | OLUX LED FOUNTAIN S24V 757M 4X1 OSRAM | | | 20° | 4052899089730 | 4052899089747 | 4 |
| | OLUX LED FOUNTAIN S24V 757W 4X1 OSRAM | | | 30° | 4052899089754 | 4052899089761 | 4 |
| | OLUX LED FOUNTAIN M24V 830N 4X1 OSRAM | M - 24W | 3000K | 12° | 4052899089778 | 4052899089785 | 4 |
| | OLUX LED FOUNTAIN M24V 830M 4X1 OSRAM | | | 20° | 4052899089792 | 4052899089808 | 4 |
| | OLUX LED FOUNTAIN M24V 830W 4X1 OSRAM | | | 30° | 4052899089815 | 4052899089822 | 4 |
| | OLUX LED FOUNTAIN M24V 740N 4X1 OSRAM | | 4000K | 12° | 4052899089839 | 4052899089846 | 4 |
| | OLUX LED FOUNTAIN M24V 740M 4X1 OSRAM | | | 20° | 4052899089853 | 4052899089860 | 4 |
| | OLUX LED FOUNTAIN M24V 740W 4X1 OSRAM | | | 30° | 4052899089877 | 4052899089884 | 4 |
| | OLUX LED FOUNTAIN M24V 757N 4X1 OSRAM | | 5700K | 12° | 4052899089891 | 4052899089907 | 4 |
| | OLUX LED FOUNTAIN M24V 757M 4X1 OSRAM | | | 20° | 4052899089914 | 4052899089921 | 4 |
| | OLUX LED FOUNTAIN M24V 757W 4X1 OSRAM | | | 30° | 4052899089938 | 4052899089945 | 4 |

SALES & TECHNICAL SUPPORT

OSRAM Asia Pacific

30/F, China Resources Building,
26 Harbour Road, Wanchai, Hong Kong
+852 3652 5678
www.osram.com

Sales and technical support is given by the local OSRAM subsidiaries. Complete subsidiary listing is available at OSRAM homepage.