

PARATHOM PRO MR16

Dimmable low-voltage LED reflector lamps MR16 with retrofit pin base



Areas of application

- As a downlight for marking walkways, doors, stairs, etc.
- Exhibitions, department stores
- Outdoor applications only in suitable luminaires
- Directional light sources
- Museums
- Hospitality
- Shops

Product benefits

- Very low energy consumption
- Extremely long life
- Robust against vibrations
- No UV and near-IR radiation in the light beam
- Efficient generation of white light

Product features

- Professional LED lamp
- Dimmable (with many common dimmers, see also www.osram.com/dim)
- Base: GU5.3
- Lifetime: up to 50,000 h
- Mercury-free lamps
- High color consistency
- High color consistency; SDCM: < 4 (PARATHOM PRO)



Product family datasheet

Technical data

Product description	Electrical data			Photometrical data						Light technical data	
	Nominal wattage	Nominal voltage	Claimed equiv. conventional lamp power	Luminous intensity	Nominal luminous flux	Rated luminous flux	Color temperature	Color rendering index Ra	Light color (designation)	Beam angle	Warm-up time (60 %)
PARATHOM PRO MR16 20 36° ADV 4.4 W/927 GU5.3 ¹⁾	4.40 W	12.0 V	20 W	600 cd	230 lm	230 lm	2700 K	≥90	Warm White	36 °	0.20 s
PARATHOM PRO MR16 20 36° ADV 4.4 W/930 GU5.3 ¹⁾	4.40 W	12.0 V	20 W	600 cd	230 lm	230 lm	3000 K	≥90	Warm White	36 °	0.20 s
PARATHOM PRO MR16 20 36° ADV 4.4 W/940 GU5.3 ¹⁾	4.40 W	12.0 V	20 W	600 cd	230 lm	230 lm	4000 K	≥90	Cool White	36 °	0.20 s
PARATHOM PRO MR16 20 36° ADV 5 W/927 GU5.3 ¹⁾	5.00 W	12.0 V	20 W	460 cd	190 lm	190 lm	2700 K	90	Warm White	36 °	< 0.20 s
PARATHOM PRO MR16 20 36° ADV 5 W/930 GU5.3 ¹⁾	5.00 W	12.0 V	20 W	500 cd	210 lm	210 lm	3000 K	90	Warm White	36 °	< 0.20 s
PARATHOM PRO MR16 20 36° ADV 5 W/940 GU5.3 ¹⁾	5.00 W	12.0 V	20 W	500 cd	210 lm	210 lm	4000 K	90	Cold White	36 °	< 0.20 s
PARATHOM PRO MR16 35 36° ADV 6.9 W/927 GU5.3 ¹⁾	6.90 W	12.0 V	35 W	900 cd	350 lm	350 lm	2700 K	≥90	Warm White	36 °	0.20 s
PARATHOM PRO MR16 35 36° ADV 6.9 W/930 GU5.3 ¹⁾	6.90 W	12.0 V	35 W	900 cd	350 lm	350 lm	3000 K	≥90	Warm White	36 °	0.20 s
PARATHOM PRO MR16 35 36° ADV 6.9 W/940 GU5.3 ¹⁾	6.90 W	12.0 V	35 W	900 cd	350 lm	350 lm	4000 K	≥90	Warm White	36 °	0.20 s
PARATHOM PRO MR16 35 36° ADV 7 W/827 GU5.3 ¹⁾	7.00 W	12.0 V	35 W	850 cd	315 lm	315 lm	2700 K	85	Warm White	36 °	0.00 s
PARATHOM PRO MR16 50 36° ADV 7 W/830 GU5.3 ¹⁾	7.00 W	12.0 V	50 W	1100 cd	420 lm	420 lm	3000 K	85	Warm White	36 °	
PARATHOM PRO MR16 42 36° ADV 8 W/830 GU5.3 ¹⁾	8.00 W	12.0 V	42 W	1100 cd	470 lm	470 lm	3000 K	80	Warm White	36 °	< 1.00 s
PARATHOM PRO MR16 43 36° ADV 8.2 W/927 GU5.3 ¹⁾	8.20 W	12.0 V	43 W	1150 cd	500 lm	500 lm	2700 K	≥90	Warm White	36 °	0.20 s

Product family datasheet

Product description	Electrical data			Photometrical data						Light technical data	
	Nominal wattage	Nominal voltage	Claimed equiv. conventional lamp power	Luminous intensity	Nominal luminous flux	Rated luminous flux	Color temperature	Color rendering index Ra	Light color (designation)	Beam angle	Warm-up time (60 %)
PARATHOM PRO MR16 43 36° ADV 8.2 W/930 GU5.3 ¹⁾	8.20 W	12.0 V	43 W	1150 cd	500 lm	500 lm	3000 K	≥90	Warm White	36 °	0.20 s
PARATHOM PRO MR16 43 36° ADV 8.2 W/940 GU5.3 ¹⁾	8.20 W	12.0 V	43 W	1150 cd	500 lm	500 lm	4000 K	≥90	Cool White	36 °	0.20 s

Product description	Dimensions & weight		Lifespan			Additional product data			Capabilities
	Overall length	Diameter	Nominal lamp life time	Number of switching cycles	Lumen main. fact. at end of nom. life time	Base (standard designation)	Lamp mercury content	Mercury-free	Dimmable
PARATHOM PRO MR16 20 36° ADV 4.4 W/927 GU5.3 ¹⁾	51.7 mm	49.8 mm	35000 h	1000000	0.70	GU5.3	0.0 mg	Yes	Yes ²⁾
PARATHOM PRO MR16 20 36° ADV 4.4 W/930 GU5.3 ¹⁾	51.7 mm	49.8 mm	35000 h	1000000	0.70	GU5.3	0.0 mg	Yes	Yes ²⁾
PARATHOM PRO MR16 20 36° ADV 4.4 W/940 GU5.3 ¹⁾	51.7 mm	49.8 mm	35000 h	1000000	0.70	GU5.3	0.0 mg	Yes	Yes ²⁾
PARATHOM PRO MR16 20 36° ADV 5 W/927 GU5.3 ¹⁾	46.0 mm	50.0 mm	50000 h	1000000	0.70	GU5.3		Yes	Yes ²⁾
PARATHOM PRO MR16 20 36° ADV 5 W/930 GU5.3 ¹⁾	46.0 mm	50.0 mm	50000 h	1000000	0.70	GU5.3		Yes	Yes ²⁾
PARATHOM PRO MR16 20 36° ADV 5 W/940 GU5.3 ¹⁾	46.0 mm	50.0 mm	50000 h	1000000	0.70	GU5.3		Yes	Yes ²⁾
PARATHOM PRO MR16 35 36° ADV 6.9 W/927 GU5.3 ¹⁾	55.8 mm	49.6 mm	35000 h	1000000	0.70	GU5.3	0.0 mg	Yes	Yes ²⁾
PARATHOM PRO MR16 35 36° ADV 6.9 W/930 GU5.3 ¹⁾	55.8 mm	49.6 mm	35000 h	1000000	0.70	GU5.3	0.0 mg	Yes	Yes ²⁾
PARATHOM PRO MR16 35 36° ADV 6.9 W/940 GU5.3 ¹⁾	55.8 mm	49.6 mm	35000 h	1000000	0.70	GU5.3	0.0 mg	Yes	Yes ²⁾

Product family datasheet

Product description	Dimensions & weight		Lifespan			Additional product data			Capabilities
	Overall length	Diameter	Nominal lamp life time	Number of switching cycles	Lumen main. fact. at end of nom. life time	Base (standard designation)	Lamp mercury content	Mercury-free	Dimmable
PARATHOM PRO MR16 35 36° ADV 7 W/827 GU5.3 ¹⁾	50.0 mm	50.0 mm	30000 h	1000000	0.70	GU5.3	0.0 mg	Yes	Yes ³⁾
PARATHOM PRO MR16 50 36° ADV 7 W/830 GU5.3 ¹⁾	50.0 mm	50.0 mm	30000 h			GU5.3		Yes	
PARATHOM PRO MR16 42 36° ADV 8 W/830 GU5.3 ¹⁾	50.0 mm	50.0 mm	30000 h	1000000	0.70	GU5.3		Yes	Yes ³⁾
PARATHOM PRO MR16 43 36° ADV 8.2 W/927 GU5.3 ¹⁾	55.8 mm	49.6 mm	35000 h	1000000	0.70	GU5.3	0.0 mg	Yes	Yes ²⁾
PARATHOM PRO MR16 43 36° ADV 8.2 W/930 GU5.3 ¹⁾	55.8 mm	49.6 mm	35000 h	1000000	0.70	GU5.3	0.0 mg	Yes	Yes ²⁾
PARATHOM PRO MR16 43 36° ADV 8.2 W/940 GU5.3 ¹⁾	55.8 mm	49.6 mm	35000 h	1000000	0.70	GU5.3	0.0 mg	Yes	Yes ²⁾

Product description	Certificates & standards	Country specific categorizations
	Energy efficiency class	ILCOS
PARATHOM PRO MR16 20 36° ADV 4.4 W/927 GU5.3 ¹⁾	A	DRR-4,4/827-12-GU5.3-50/36
PARATHOM PRO MR16 20 36° ADV 4.4 W/930 GU5.3 ¹⁾	A	DRR-4,4/830-12-GU5.3-50/36
PARATHOM PRO MR16 20 36° ADV 4.4 W/940 GU5.3 ¹⁾	A	DRR-4,4/840-12-GU5.3-50/36
PARATHOM PRO MR16 20 36° ADV 5 W/927 GU5.3 ¹⁾	A	DRR-5-12-GU5,3-50/36
PARATHOM PRO MR16 20 36° ADV 5 W/930 GU5.3 ¹⁾	A	DRR-5-12-GU5,3-50/36

Product family datasheet

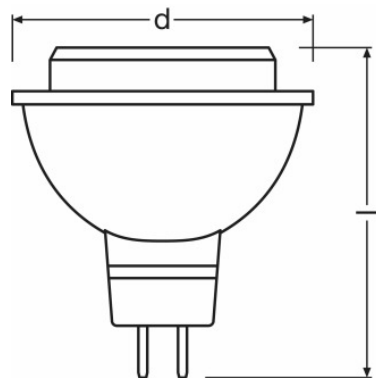
Product description	Certificates & standards	Country specific categorizations
	Energy efficiency class	ILCOS
PARATHOM PRO MR16 20 36° ADV 5 W/940 GU5.3 ¹⁾	A	DRR-5-12-GU5,3-50/36
PARATHOM PRO MR16 35 36° ADV 6.9 W/927 GU5.3 ¹⁾	A	DRR-8-12-GU5,3-50/36
PARATHOM PRO MR16 35 36° ADV 6.9 W/930 GU5.3 ¹⁾	A	DRR-8-12-GU5,3-50/36
PARATHOM PRO MR16 35 36° ADV 6.9 W/940 GU5.3 ¹⁾	A	DRR-8-12-GU5,3-50/36
PARATHOM PRO MR16 35 36° ADV 7 W/827 GU5.3 ¹⁾	A	DRR-7-12-GU5,3-50/36
PARATHOM PRO MR16 50 36° ADV 7 W/830 GU5.3 ¹⁾		
PARATHOM PRO MR16 42 36° ADV 8 W/830 GU5.3 ¹⁾	A	DRR-8-12-GU5,3-50/36
PARATHOM PRO MR16 43 36° ADV 8.2 W/927 GU5.3 ¹⁾	A	DRR-8,2/827-12-GU5.3-50/36
PARATHOM PRO MR16 43 36° ADV 8.2 W/930 GU5.3 ¹⁾	A	DRR-8,2/830-12-GU5.3-50/36
PARATHOM PRO MR16 43 36° ADV 8.2 W/940 GU5.3 ¹⁾	A	DRR-8,2/840-12-GU5.3-50/36

¹⁾ All technical parameters apply to the entire lamp/Due to the complex production process for light-emitting diodes, the typical values shown for the technical LED parameters are purely statistical values that do not necessarily match the actual technical parameters of each individual product, which can vary from the typical value/LED lamps contain several electronic components. Under unfavourable conditions these can lead to acoustic noise. In case of resonance even low noise can cause audible effect. Possible factors influencing this are the installation, the design of the lamp holder and the luminaire (acoustic resonance effect) as well as the dimmer or the transformer (harmonics or electronic resonance)

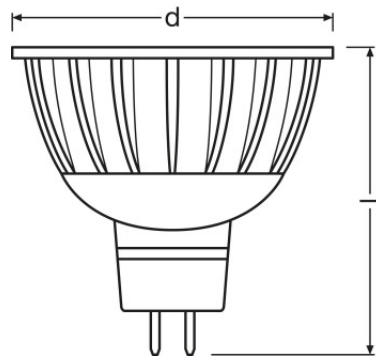
²⁾ With many common dimmers, see also www.osram.com/dim

³⁾ With many common dimmers

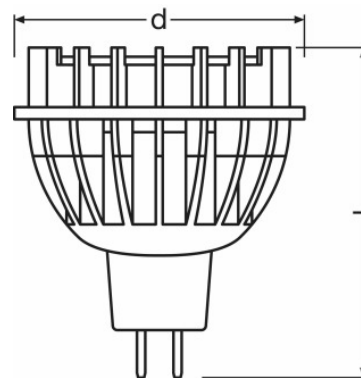
Product family datasheet



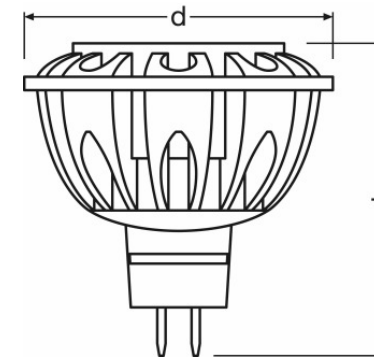
PARATHOM PRO MR16 20 36° ADV 4.4 W/927 GU5.3, PARATHOM PRO MR16 20 36° ADV 4.4 W/930 GU5.3, PARATHOM PRO MR16 20 36° ADV 4.4 W/940 GU5.3



PARATHOM PRO MR16 20 36° ADV 5 W/927 GU5.3, PARATHOM PRO MR16 20 36° ADV 5 W/930 GU5.3, PARATHOM PRO MR16 20 36° ADV 5 W/940 GU5.3

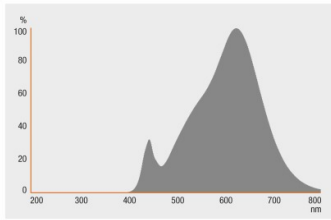


PARATHOM PRO MR16 35 36° ADV 6.9 W/927 GU5.3, PARATHOM PRO MR16 35 36° ADV 6.9 W/930 GU5.3, PARATHOM PRO MR16 43 36° ADV 8.2 W/927 GU5.3, PARATHOM PRO MR16 43 36° ADV 8.2 W/930 GU5.3, PARATHOM PRO MR16 43 36° ADV 8.2 W/940 GU5.3

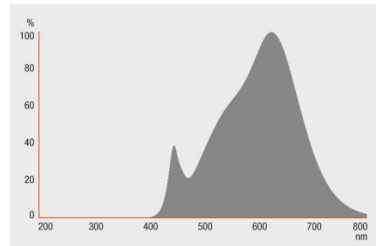


PARATHOM PRO MR16 35 36° ADV 6.9 W/940 GU5.3, PARATHOM PRO MR16 35 36° ADV 7 W/827 GU5.3, PARATHOM PRO MR16 42 36° ADV 8 W/830 GU5.3

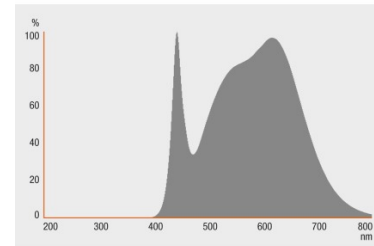
Product family datasheet



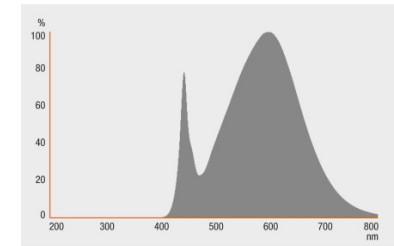
PARATHOM PRO MR16 20 36° ADV 5 W/927 GU5.3, PARATHOM PRO MR16 35 36° ADV 6.9 W/940 GU5.3



PARATHOM PRO MR16 20 36° ADV 5 W/930 GU5.3



PARATHOM PRO MR16 20 36° ADV 5 W/940 GU5.3



PARATHOM PRO MR16 42 36° ADV 8 W/830 GU5.3

Equipment / Accessories

- Equipped with high-power LEDs
- Suitable for many commercially available electronic or conventional transformers

Application advice

For more detailed application information and graphics please see product datasheet.

Logistical Data

Product family datasheet

Product code	Product description	Packaging unit (Pieces/Unit)	Dimensions (length x width x height)	Volume	Gross weight
4052899944039	PARATHOM PRO MR16 20 36° ADV 4.4 W/927 GU5.3	Shipping carton box 10	267 mm x 111 mm x 69 mm	2.04 dm ³	627.00 g
4052899944046	PARATHOM PRO MR16 20 36° ADV 4.4 W/930 GU5.3	Shipping carton box 10	267 mm x 111 mm x 69 mm	2.04 dm ³	627.00 g
4052899944053	PARATHOM PRO MR16 20 36° ADV 4.4 W/940 GU5.3	Shipping carton box 10	267 mm x 111 mm x 69 mm	2.04 dm ³	617.00 g
4052899904699	PARATHOM PRO MR16 20 36° ADV 5 W/927 GU5.3	Shipping carton box 10	271 mm x 114 mm x 71 mm	2.19 dm ³	567.00 g
4052899904705	PARATHOM PRO MR16 20 36° ADV 5 W/930 GU5.3	Shipping carton box 10	271 mm x 114 mm x 71 mm	2.19 dm ³	535.00 g
4052899904712	PARATHOM PRO MR16 20 36° ADV 5 W/940 GU5.3	Shipping carton box 10	271 mm x 114 mm x 71 mm	2.19 dm ³	546.00 g
4052899944060	PARATHOM PRO MR16 35 36° ADV 6.9 W/927 GU5.3	Shipping carton box 10	267 mm x 111 mm x 69 mm	2.04 dm ³	744.00 g
4052899944077	PARATHOM PRO MR16 35 36° ADV 6.9 W/930 GU5.3	Shipping carton box 10	267 mm x 111 mm x 69 mm	2.04 dm ³	745.00 g
4052899944084	PARATHOM PRO MR16 35 36° ADV 6.9 W/940 GU5.3	Shipping carton box 10	267 mm x 111 mm x 69 mm	2.04 dm ³	742.00 g
4008321972231	PARATHOM PRO MR16 35 36° ADV 7 W/827 GU5.3	Shipping carton box 10	271 mm x 114 mm x 71 mm	2.19 dm ³	657.00 g
4008321991447	PARATHOM PRO MR16 50 36° ADV 7 W/830 GU5.3	Shipping carton box 10	112 mm x 71 mm x 271 mm	2.15 dm ³	720.00 g
4052899014350	PARATHOM PRO MR16 42 36° ADV 8 W/830 GU5.3	Shipping carton box 10	271 mm x 114 mm x 71 mm	2.19 dm ³	733.00 g
4052899944091	PARATHOM PRO MR16 43 36° ADV 8.2 W/927 GU5.3	Shipping carton box 10	267 mm x 111 mm x 69 mm	2.04 dm ³	758.00 g
4052899944107	PARATHOM PRO MR16 43 36° ADV 8.2 W/930 GU5.3	Shipping carton box 10	267 mm x 111 mm x 69 mm	2.04 dm ³	744.00 g

Product family datasheet

Product code	Product description	Packaging unit (Pieces/Unit)	Dimensions (length x width x height)	Volume	Gross weight
4052899944114	PARATHOM PRO MR16 43 36° ADV 8.2 W/940 GU5.3	Shipping carton box 10	267 mm x 111 mm x 69 mm	2.04 dm ³	750.00 g

The mentioned product code describes the smallest quantity unit which can be ordered. One shipping unit can contain one or more single products. When placing an order, for the quantity please enter single or multiples of a shipping unit.

References / Links

For dimming conformity see

▶ www.osram.com/DIM

For further products and actual information concerning LED lamps see

▶ www.osram.com/ledlamps

For Guarantee see

▶ www.osram.com/guarantee

Further information see

▶ www.osram.com/low-voltage-ledlamps

Disclaimer

Subject to change without notice. Errors and omission excepted. Always make sure to use the most recent release.