

LED COMFO® Ceiling Pro

Datasheet



LED COMFO® Ceiling Pro is the classic ID design ceiling light family for commercial areas, which providing uniform illumination with high quality diffuser. The infrared sensor version offers more intelligent options and brings more energy saving.

Benefits

Full option with classic ID design

- 12W/22W
- 3000K/4000K/6000K
- On/off & infrared sensor version

Comfort light

- Consistent CCT & stable illumination from imported LED
- High quality PMMA diffuser brings good uniformity
- CRI>80

Energy saving

- 50% energy saving compared to CFL lamp
- 20,000hours lifetime, 2~3 times of CFL lamp

Optimized structure design for mosquito preventing

Applications

- Commercial area
- Corridors and walkways
- Underground park
- Elevator area

LED COMFO® Ceiling Pro

Technical Data

Optical Specifications

	12W	22W
Luminous Flux	840 lm	1540 lm
Efficacy	70 lm/W	70 lm/W
CCT	3000K, 4000K, 6000K	
CRI	80	
SDCM	5	
Beam Angle	120°	

Electrical and Mechanical Specifications

Input Voltage	220-240V AC 50/60Hz	
Power Consumption	12W	22W
Power Factor	0.5	
Surge Protection	Line-to-line 500V, Line-to-ground 1KV	
Dimensions	Ø260X88mm (on/off) Ø260X98mm (infrared)	Ø343X96mm (on/off) Ø343X107mm (infrared)
Weight	346g (on/off) 374g (infrared)	608g (on/off) 636g (infrared)
Cover Lens	PMMA diffuser	
Housing	PSCC	

System Specification

Power	AC line	
Dimmable	ON/OFF & Infrared	ON/OFF & Infrared
Installation	Surface mounting	
Operating Temperature	-20°C to +40°C	
Storage Temperature	-40°C to +80°C	
Environment	Indoor (IP20)	
Lumen Maintenance	L70 @25°C - 20,000hrs	
Safety Approval	Electrical Protection Class I, CB, CCC, Photo-biological safety, RoHS	

Due to the special conditions of manufacturing process of LED, the typical data of technical parameters can only reflect statistical figures and do not necessarily correspond to the actual parameters of each single product which could differ from typical data.

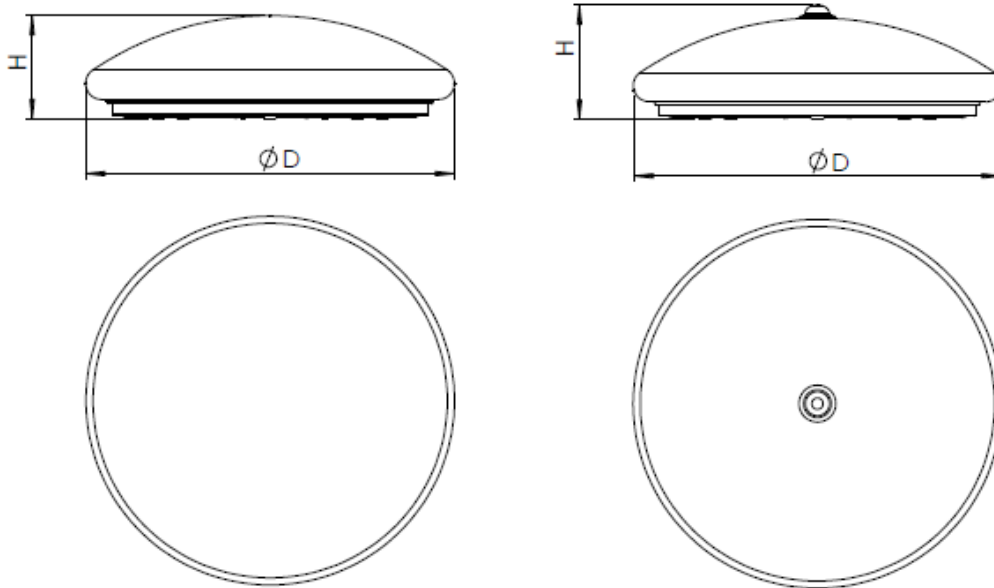
Exceeding maximum ratings for operation voltage will cause hazardous overload and will likely destroy the LED module.

Exceeding maximum ratings for operation and storage temperature will reduce expected life time or destroy the LED module.

05/17 V1.1 · Specifications are subject to change without notice. Errors and omission excepted, always make sure to use the most recent release.

LED COMFO® Ceiling Pro

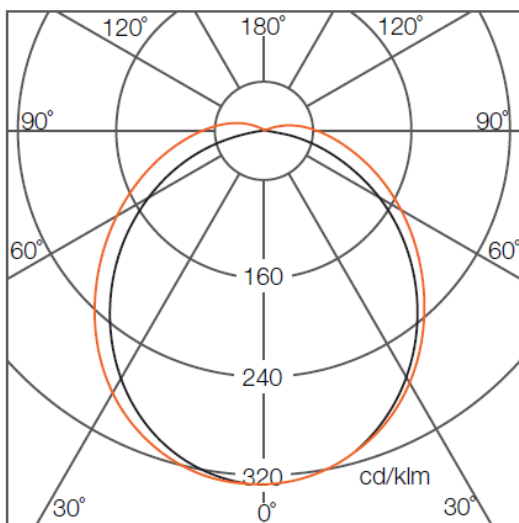
Dimensions



Model	DxH(mm)
LED COMFO Ceiling Pro 12W 830/840/860	$\phi 260 \times 88$
LED COMFO Ceiling Pro 22W 830/840/860	$\phi 343 \times 96$
LED COMFO Ceiling Pro IR 12W 830/840/860	$\phi 260 \times 98$
LED COMFO Ceiling Pro IR 22W 830/840/860	$\phi 343 \times 107$

Photometrics

Light Distribution Curve



Ordering Codes

Short Text	Size	Power	CCT	Material	EAN40	Quantity
LDCMF CEIL PRO 12W 830 6X1 OSRAM	Ø260X88mm	12W	3000K	AM086680055	4052899521315	6
LDCMF CEIL PRO 12W 840 6X1 OSRAM	Ø260X88mm	12W	4000K	AM086620055	4052899521339	6
LDCMF CEIL PRO 12W 860 6X1 OSRAM	Ø260X88mm	12W	6000K	AM086640055	4052899521353	6
LDCMF CEIL PRO 22W 830 6X1 OSRAM	Ø343X96mm	22W	3000K	AM086690055	4052899521377	6
LDCMF CEIL PRO 22W 840 6X1 OSRAM	Ø343X96mm	22W	4000K	AM086650055	4052899521391	6
LDCMF CEIL PRO 22W 860 6X1 OSRAM	Ø343X96mm	22W	6000K	AM086670055	4052899521414	6
LDCMF CEIL PRO IR 12W 830 6X1 OSRAM	Ø260X98mm	12W	3000K	AM086630055	4052899521438	6
LDCMF CEIL PRO IR 12W 840 6X1 OSRAM	Ø260X98mm	12W	4000K	AM086660055	4052899521452	6
LDCMF CEIL PRO IR 12W 860 6X1 OSRAM	Ø260X98mm	12W	6000K	AM086710055	4052899521476	6
LDCMF CEIL PRO IR 22W 830 6X1 OSRAM	Ø343X107mm	22W	3000K	AM086720055	4052899521490	6
LDCMF CEIL PRO IR 22W 840 6X1 OSRAM	Ø343X107mm	22W	4000K	AM086730055	4052899521513	6
LDCMF CEIL PRO IR 22W 860 6X1 OSRAM	Ø343X107mm	22W	6000K	AM086740055	4052899521537	6