

LED COMFO® Spot Light G2

Datasheet



LED COMFO® Spot Light G2 is the cost-effective solution for ceiling spot light application in residential and commercial areas. The series is available in three lumen options and the light angle can be adjusted to suit different needs. LED COMFO® Spot Light G2 is the perfect replacement for traditional MR16 halogen lamps.

Benefits

Quality light with good ID design

- Unique ID design offer nice look and feel
- Good reflector optical design brings evenly lighting distribution
- Imported LED brings good color consistency

Effective and safe

- High brightness LED offers higher efficacy
- 1KV and 2.5KV line-to-line surge protection from sudden switch ON/OFF of high power devices around
- 20,000hrs lifetime

Flexibility

- 30° / 60° beam angles
- 3W / 6W / 9W power options
- 30° Adjustable structure

Applications

- Corridors
- Reception areas
- Residential areas
- Commercial areas

LED COMFO® Spot Light G2

Technical Data

Optical Specifications

		3W	6W	9W
Luminous Flux	3000K	224 lm	448 lm	728 lm
	4000K	240 lm	480 lm	780 lm
	6500K	232 lm	463 lm	752 lm
Efficacy	3000K	75 lm/W	80 lm/W	81 lm/W
	4000K	80 lm/W	86 lm/W	87 lm/W
	6500K	77 lm/W	83 lm/W	84 lm/W
CCT		3000K, 4000K, 6500K		
CRI		80		
SDCM		5		
Beam Angle		30°, 60°	30°, 60°	30°

Electrical and Mechanical Specifications

Input Voltage	220-240V AC 50/60Hz			
Power Consumption	3W	6W	9W	
Power Factor	0.5			
Surge Protection	Line-to-line 1KV (APAC version), line-to-line 2.5KV (India version)			
Dimensions	Diameter	76mm	83mm	93mm
	Height	40mm	46mm	51mm
Weight	0.1kg	0.12kg	0.12kg	
Cover Lens	PC reflector with aluminium plating			
Housing	PBT coated aluminium, white (RAL9003)			

System Specifications

Power	AC line			
Dimmable	ON/OFF			
Installation	Recessed mounting			
Mounting Hole	Diameter	65mm	68mm	78mm
Suitable Ceiling Thickness	4-17mm			
Operating Temperature	-20°C to +40°C			
Storage Temperature	-40°C to +80°C			
Environment	Indoor (IP20)			
Lumen Maintenance	L70 @25°C - 20,000hrs			
Safety Approval	Electrical Protection Class II, CB, CCC, Deity, RoHS			

Due to the special conditions of manufacturing process of LED, the typical data of technical parameters can only reflect statistical figures and do not necessarily correspond to the actual parameters of each single product which could differ from typical data.

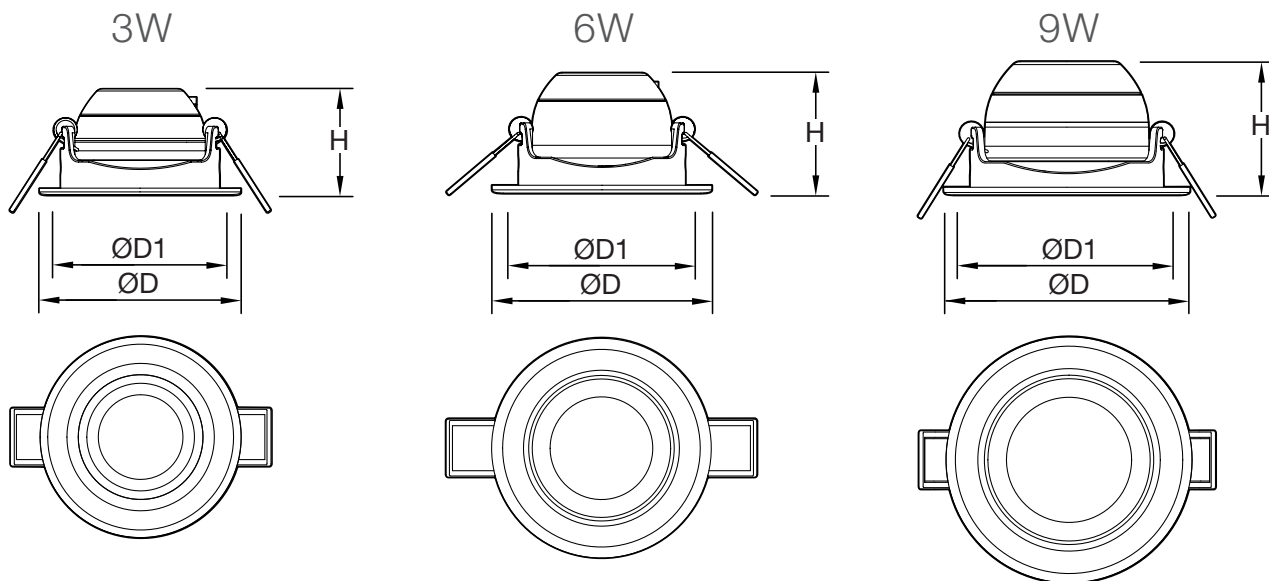
Exceeding maximum ratings for operation voltage will cause hazardous overload and will likely destroy the LED module.

Exceeding maximum ratings for operation and storage temperature will reduce expected life time or destroy the LED module.

02/17 V1.1 · Specifications are subject to change without notice. Errors and omission excepted, always make sure to use the most recent release.

LED COMFO® Spot Light G2

Dimensions

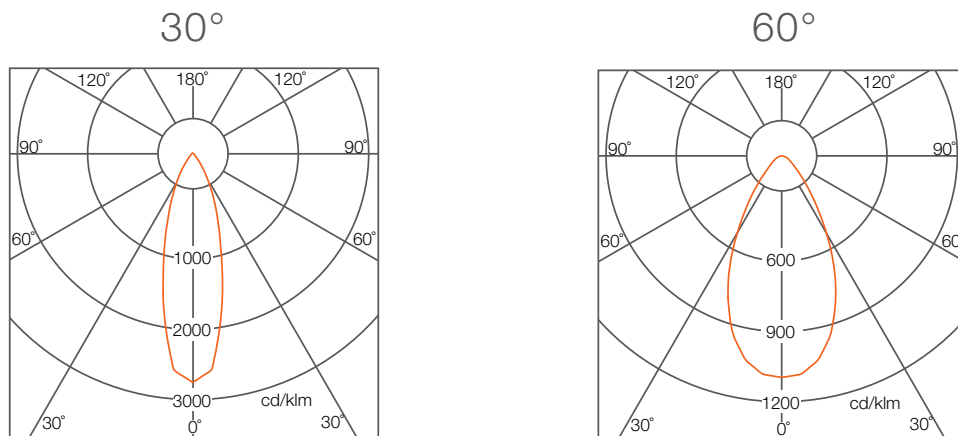


Dimensions

	3W	6W	9W
ØD	76mm	83mm	93mm
ØD1	65mm	68mm	78mm
H	40mm	46mm	51mm

Photometrics

Light Distribution Curve



Illuminance at a distance

	Center Beam Lux/klm	Beam Width		Center Beam Lux/klm	Beam Width
0.5m	11136	0.26m		4370	0.51m
1m	2784	0.52m		1093	1.01m
1.5m	1237	0.78m		486	1.52m
2m	696	1.04m		273	2.02m
2.5m	445	1.3m		175	2.53m
3m	309	1.56m		121	3.03m

For feet multiply by 3.28

● Spread: 29.2°
For fc divide by 10.7

For feet multiply by 3.28

● Spread: 53.6°
For fc divide by 10.7

Due to the manufacturing processes of LED, the polar candela distribution and distance luminaries only reflect statistical figures and do not necessarily correspond to the actual parameters of individual product that may differ from the typical values.

02/17 V1.1 · Specifications are subject to change without notice. Errors and omission excepted, always make sure to use the most recent release.

©2017 OSRAM GmbH · All rights reserved · Internet www.lightingsolutions.osram.com/asia

3 of 4

LED COMFO® Spot Light G2

Ordering Codes

Fixture (APAC Version)

Short Text	Power	CCT	Beam Angle	Material	EAN10	EAN40
LED COMFO SL G2 200 830 30D 20X3 OSRAM	3W	3000K	30°	AM053550055	4052899494305	4052899494312
LED COMFO SL G2 200 840 30D 20X3 OSRAM	3W	4000K	30°	AM053560055	4052899494329	4052899494336
LED COMFO SL G2 200 865 30D 20X3 OSRAM	3W	6500K	30°	AM053570055	4052899494343	4052899494350
LED COMFO SL G2 500 830 30D 16X3 OSRAM	6W	3000K	30°	AM053580055	4052899494367	4052899494374
LED COMFO SL G2 500 840 30D 16X3 OSRAM	6W	4000K	30°	AM053590055	4052899494381	4052899494398
LED COMFO SL G2 500 865 30D 16X3 OSRAM	6W	6500K	30°	AM053600055	4052899494404	4052899494411
LED COMFO SL G2 800 830 30D 16X3 OSRAM	9W	3000K	30°	AM053610055	4052899494428	4052899494435
LED COMFO SL G2 800 840 30D 16X3 OSRAM	9W	4000K	30°	AM053620055	4052899494442	4052899494459
LED COMFO SL G2 800 865 30D 16X3 OSRAM	9W	6500K	30°	AM053630055	4052899494466	4052899494473
LED COMFO SL G2 200 830 60D 20X3 OSRAM	3W	3000K	60°	AM053640055	4052899494480	4052899494497
LED COMFO SL G2 200 840 60D 20X3 OSRAM	3W	4000K	60°	AM053650055	4052899494503	4052899494510
LED COMFO SL G2 200 865 60D 20X3 OSRAM	3W	6500K	60°	AM053660055	4052899494527	4052899494534
LED COMFO SL G2 500 830 60D 16X3 OSRAM	6W	3000K	60°	AM053670055	4052899494541	4052899494558
LED COMFO SL G2 500 840 60D 16X3 OSRAM	6W	4000K	60°	AM053680055	4052899494565	4052899494572
LED COMFO SL G2 500 865 60D 16X3 OSRAM	6W	6500K	60°	AM053690055	4052899494589	4052899494596

Fixture (India Version)

Short Text	Power	CCT	Beam Angle	Material	EAN10	EAN40
LED COMFO SL G2 200 830 30D 20X3 IN OSRAM	3W	3000K	30°	AM053700055	4052899494602	4052899494619
LED COMFO SL G2 200 840 30D 20X3 IN OSRAM	3W	4000K	30°	AM053710055	4052899494626	4052899494633
LED COMFO SL G2 200 865 30D 20X3 IN OSRAM	3W	6500K	30°	AM053720055	4052899494640	4052899494657
LED COMFO SL G2 500 830 30D 16X3 IN OSRAM	6W	3000K	30°	AM053730055	4052899494664	4052899494671
LED COMFO SL G2 500 840 30D 16X3 IN OSRAM	6W	4000K	30°	AM053740055	4052899494688	4052899494695
LED COMFO SL G2 500 865 30D 16X3 IN OSRAM	6W	6500K	30°	AM053750055	4052899494701	4052899494718
LED COMFO SL G2 800 830 30D 16X3 IN OSRAM	9W	3000K	30°	AM053760055	4052899494725	4052899494732
LED COMFO SL G2 800 840 30D 16X3 IN OSRAM	9W	4000K	30°	AM053770055	4052899494749	4052899494756
LED COMFO SL G2 800 865 30D 16X3 IN OSRAM	9W	6500K	30°	AM053780055	4052899494763	4052899494770
LED COMFO SL G2 200 830 60D 20X3 IN OSRAM	3W	3000K	60°	AM053790055	4052899494787	4052899494794
LED COMFO SL G2 200 840 60D 20X3 IN OSRAM	3W	4000K	60°	AM053800055	4052899494800	4052899494817
LED COMFO SL G2 200 865 60D 20X3 IN OSRAM	3W	6500K	60°	AM053810055	4052899494824	4052899494831
LED COMFO SL G2 500 830 60D 16X3 IN OSRAM	6W	3000K	60°	AM053820055	4052899494848	4052899494855
LED COMFO SL G2 500 840 60D 16X3 IN OSRAM	6W	4000K	60°	AM053830055	4052899494862	4052899494879
LED COMFO SL G2 500 865 60D 16X3 IN OSRAM	6W	6500K	60°	AM053840055	4052899494886	4052899494893