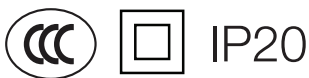


OPTIVALU® Panel G2 Datasheet



OPTIVALU® Panel G2 is an ideal, ultra thin luminaire that delivers comfort lighting for office application. It also allows flexible ways of mounting include recessed, suspended and integrated ceiling mountings, which enable the luminaire to be perfectly blended into the application environment unnoticed. OPTIVALU® Panel G2 brings users perfect lighting experience and efficient replacement for traditional T5/T8 louver.

Benefits

Excellent lighting performance

- Uniform and consistent lighting
- Flicker-free lighting

Slim and compact design

- 10mm thickness

Efficient T5/T8 replacement

- Save 30% energy compared to T5/T8 louver

Long lifetime

- 50,000hrs lifetime

Flexible mountings

- Recessed, suspended and integrated ceiling mountings

Applications

- Offices
- Hospitals
- Schools
- Banks
- Express stores

OPTIVALU® Panel G2

Technical Data

Optical Specifications

		2ft x 2ft	2ft x 2ft	4ft x 1ft
		26W	30W	30W
Luminous Flux	Uniformity Diffuser	2860 lm	3300 lm	3360 lm
	Prism Diffuser	2730 lm	3150 lm	3180 lm
Efficacy	Uniformity Diffuser	110 lm/W	110 lm/W	112 lm/W
	Prism Diffuser	105 lm/W	105 lm/W	106 lm/W
CCT		4000K, 6500K		
CRI		Ra>80		
SDCM		4		
UGR	Uniformity Diffuser	21		
	Prism Diffuser	18		
Beam Angle	Uniformity Diffuser	115°		
	Prism Diffuser	100°		

Electrical and Mechanical Specifications

Input Voltage		220-240V AC 50/60Hz		
Power Consumption		26W	30W	30W
Power Factor		0.9		
Surge Protection		Line-to-line 1KV		
Total Harmonic Distortion		<10%		
Dimensions (L x W H)	Recessed	597mm x 597mm	597mm x 597mm	1197mm x 297mm
		10mm	10mm	10mm
	Integrated Ceiling	600mm x 600mm	600mm x 600mm	1200mm x 300mm
		15mm	15mm	15mm
Weight		3kg		3.2kg
Cover Lens		PMMA (light plate), PS (diffuser plate)		
Housing		Aluminium frame, steel back cover		

System Specifications

Power		AC line		
Dimmable		ON/OFF, DALI		
Installation		Recessed, suspended and integrated ceiling mountings		
Installation Height	Recessed	80mm		
Mounting Hole	Recessed	585mm x 585mm	585mm x 585mm	1185mm x 285mm
Suitable Ceiling Thickness		3-20mm		
Operating Temperature		-20°C to +35°C		
Storage Temperature		-30°C to +80°C		
Environment		Indoor (IP20)		
Lumen Maintenance		L70 @25°C - 50,000hrs		
Safety Approval		Electrical Protection Class II, CB, CCC, photobiological safety, RoHS		

Due to the special conditions of manufacturing process of LED, the typical data of technical parameters can only reflect statistical figures and do not necessarily correspond to the actual parameters of each single product which could differ from typical data.

Exceeding maximum ratings for operation voltage will cause hazardous overload and will likely destroy the LED module.

Exceeding maximum ratings for operation and storage temperature will reduce expected life time or destroy the LED module.

01/17 V1.0 · Specifications are subject to change without notice. Errors and omission excepted, always make sure to use the most recent release.

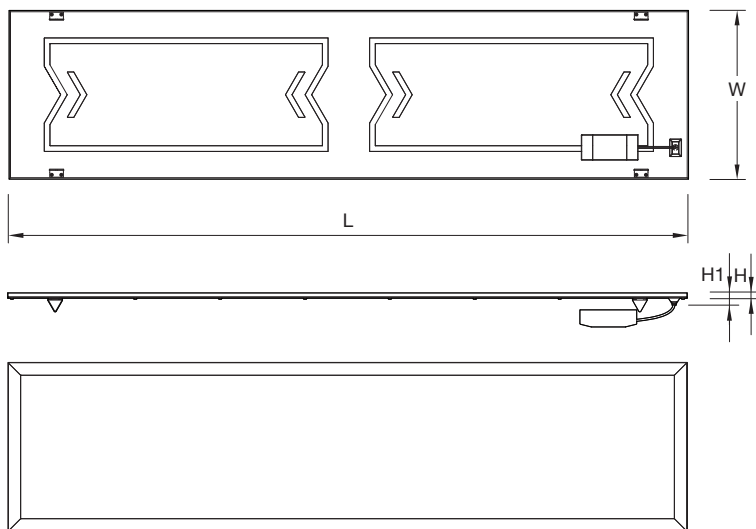
©2017 OSRAM GmbH · All rights reserved · Internet www.lightingsolutions.osram.com/asia

2 of 6

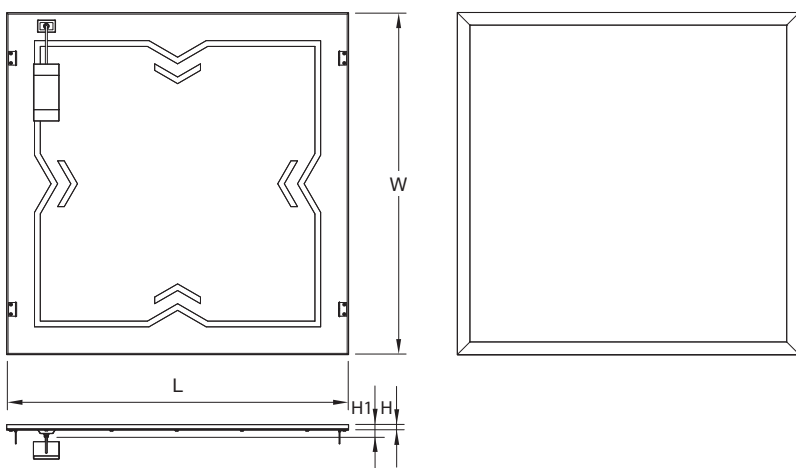
OPTIVALU® Panel G2

Dimensions

2ft × 2ft (Recessed and Suspended Mountings)



4ft × 1ft (Recessed and Suspended Mountings)



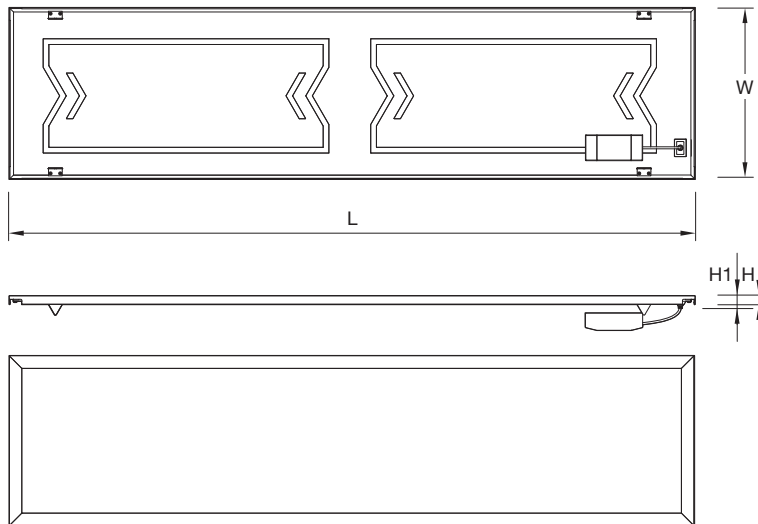
Dimensions

	2ft × 2ft (Recessed and Suspended Mountings)	4ft × 1ft (Recessed and Suspended Mountings)
L	597mm	1197mm
W	597mm	297mm
H	10mm	10mm
H1	21.4mm	21.4mm

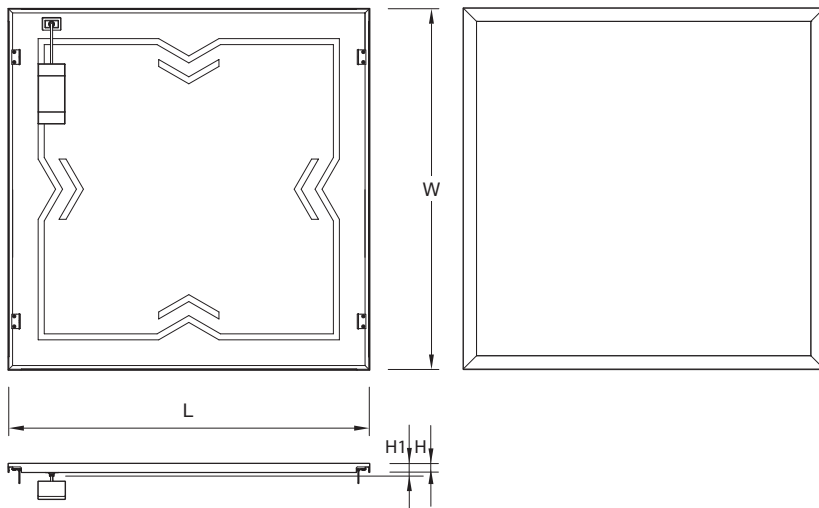
OPTIVALU® Panel G2

Dimensions

2ft × 2ft (Integrated Ceiling Mounting)



4ft × 1ft (Integrated Ceiling Mounting)



Dimensions

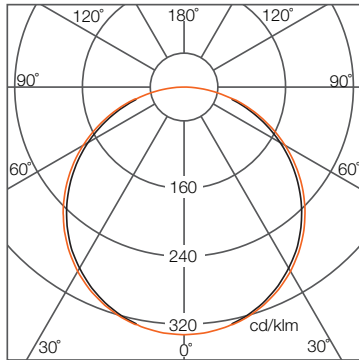
	2ft × 2ft (Integrated Ceiling Mounting)	4ft × 1ft (Integrated Ceiling Mounting)
L	600mm	1200mm
W	600mm	300mm
H	15mm	15mm
H1	21.1mm	21.1mm

OPTIVALU® Panel G2

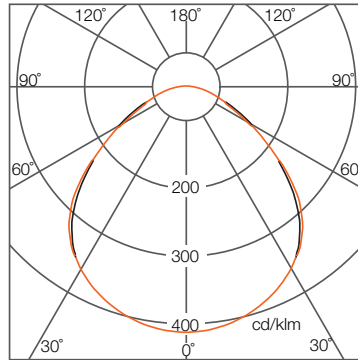
Photometrics

Light Distribution Curve

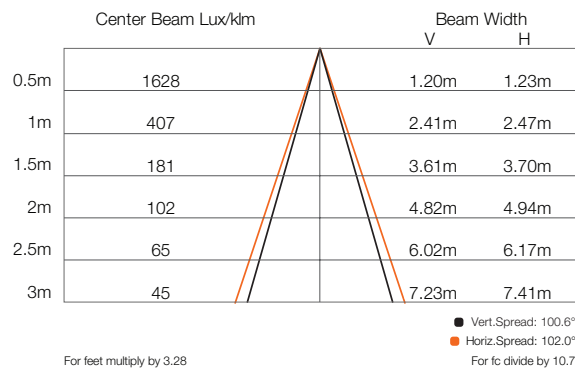
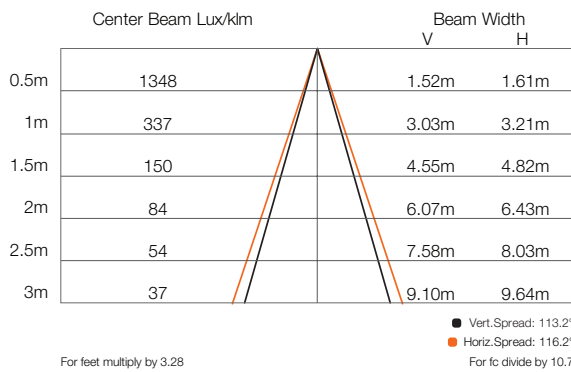
Uniformity Diffuser



Prism Diffuser



Illuminance at a distance



Due to the manufacturing processes of LED, the polar candela distribution and distance luminaries only reflect statistical figures and do not necessarily correspond to the actual parameters of individual product that may differ from the typical values.

01/17 V1.0 · Specifications are subject to change without notice. Errors and omission excepted, always make sure to use the most recent release.

©2017 OSRAM GmbH · All rights reserved · Internet www.lightingsolutions.osram.com/asia

OPTIVALU® Panel G2

Ordering Codes

Fixture (Recessed and Suspended Mountings, ON/OFF)

Short Text	Power	Dimensions	CCT	Material	EAN10	EAN40
OPTV PANEL G2 LP 0606 840 3X2 OSRAM	26W	2ft x 2ft	4000K	AM041890055	4052899489431	4052899489448
OPTV PANEL G2 LP 0606 865 3X2 OSRAM	26W	2ft x 2ft	6500K	AM041900055	4052899489455	4052899489462
OPTV PANEL G2 0606 840 3X2 OSRAM	30W	2ft x 2ft	4000K	AM041910055	4052899489479	4052899489486
OPTV PANEL G2 0606 865 3X2 OSRAM	30W	2ft x 2ft	6500K	AM041920055	4052899489493	4052899489509
OPTV PANEL G2 0312 840 3X2 OSRAM	30W	4ft x 1ft	4000K	AM041930055	4052899489516	4052899489523
OPTV PANEL G2 0312 865 3X2 OSRAM	30W	4ft x 1ft	6500K	AM041940055	4052899489530	4052899489547

Fixture (Integrated Ceiling Mounting, ON/OFF)

Short Text	Power	Dimensions	CCT	Material	EAN10	EAN40
OPTV PANEL G2 LP 0606 840 IT 3X2 OSRAM	26W	2ft x 2ft	4000K	AM041950055	4052899489554	4052899489561
OPTV PANEL G2 LP 0606 865 IT 3X2 OSRAM	26W	2ft x 2ft	6500K	AM041960055	4052899489578	4052899489585
OPTV PANEL G2 0606 840 IT 3X2 OSRAM	30W	2ft x 2ft	4000K	AM041970055	4052899489592	4052899489608
OPTV PANEL G2 0606 865 IT 3X2 OSRAM	30W	2ft x 2ft	6500K	AM041980055	4052899489615	4052899489622
OPTV PANEL G2 0312 840 IT 3X2 OSRAM	30W	4ft x 1ft	4000K	AM041990055	4052899489639	4052899489646
OPTV PANEL G2 0312 865 IT 3X2 OSRAM	30W	4ft x 1ft	6500K	AM042000055	4052899489653	4052899489660

Fixture (Recessed and Suspended Mountings, DALI)

Short Text	Power	Dimensions	CCT	Material	EAN10	EAN40
OPTV PANEL G2 LP 0606 840 DA 3X2 OSRAM	26W	2ft x 2ft	4000K	AM042010055	4052899489677	4052899489684
OPTV PANEL G2 LP 0606 865 DA 3X2 OSRAM	26W	2ft x 2ft	6500K	AM042020055	4052899489691	4052899489707
OPTV PANEL G2 0606 840 DA 3X2 OSRAM	30W	2ft x 2ft	4000K	AM042030055	4052899489714	4052899489721
OPTV PANEL G2 0606 865 DA 3X2 OSRAM	30W	2ft x 2ft	6500K	AM042040055	4052899489738	4052899489745
OPTV PANEL G2 0312 840 DA 3X2 OSRAM	30W	4ft x 1ft	4000K	AM042050055	4052899489752	4052899489769
OPTV PANEL G2 0312 865 DA 3X2 OSRAM	30W	4ft x 1ft	6500K	AM042060055	4052899489776	4052899489783

Fixture (Integrated Ceiling Mounting, DALI)

Short Text	Power	Dimensions	CCT	Material	EAN10	EAN40
OPTV PANEL G2 LP 0606 840 IT DA 3X2 OSRAM	26W	2ft x 2ft	4000K	AM042070055	4052899489790	4052899489806
OPTV PANEL G2 LP 0606 865 IT DA 3X2 OSRAM	26W	2ft x 2ft	6500K	AM042080055	4052899489813	4052899489820
OPTV PANEL G2 0606 840 IT DA 3X2 OSRAM	30W	2ft x 2ft	4000K	AM042090055	4052899489837	4052899489844
OPTV PANEL G2 0606 865 IT DA 3X2 OSRAM	30W	2ft x 2ft	6500K	AM042100055	4052899489851	4052899489868
OPTV PANEL G2 0312 840 IT DA 3X2 OSRAM	30W	4ft x 1ft	4000K	AM042110055	4052899489875	4052899489882
OPTV PANEL G2 0312 865 IT DA 3X2 OSRAM	30W	4ft x 1ft	6500K	AM042120055	4052899489899	4052899489905

Accessories

Short Text	Material	EAN10	EAN40
OPTV PANEL G2 SUSPENSION KITS 40X1 OSRAM	AM042130055	4052899491267	4052899491274
OPTV PANEL G2 RECESSED KITS 40X1 OSRAM	AM042140055	4052899491281	4052899491298