

OPTIVALU® Multi-head

Data Sheet



OPTIVALU® Multi-head series is a multiple heads system that offers highly flexible and adjustable lighting. The series is available in one, two and three heads arrangement. Thanks to the cutting edge technologies and adjustable structure, multiple objects can be illuminated from different directions. With concave stepping cover design, OPTIVALU® Multi-head series brings good glare control with multiple beam angles and is the ideal choice for demanding accent lighting.

FEATURES

- **Diversity**
 - 20D/40D beam angle for choosing
 - Three type, one head / two heads / three heads
 - 30D vertical adjustable, 180D horizontal adjustable
- **Efficient**
 - Rimless structure to save installation space
 - More than 50% energy saving with conventional lamps
 - Each head with single driver to avoid failure simultaneously
- **Quality light**
 - Accurate lighting, unique optical design on COB platform
 - Concave stepping cover design

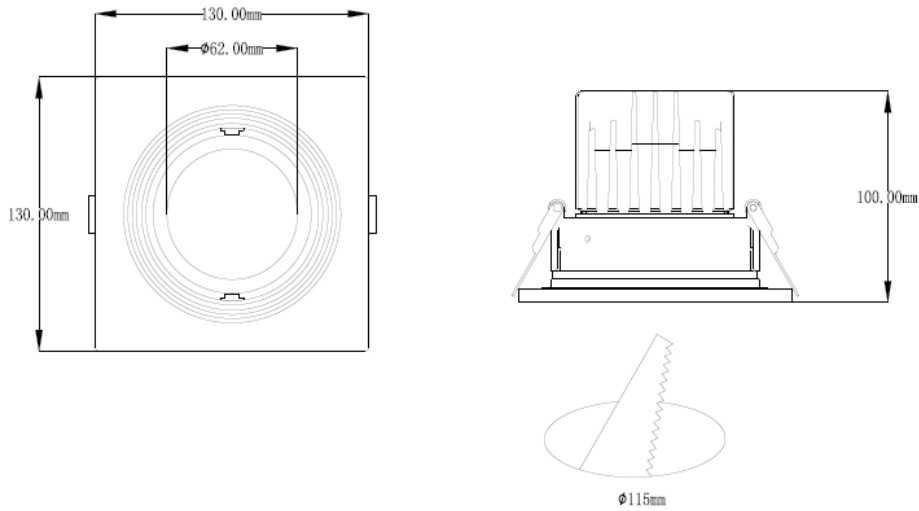
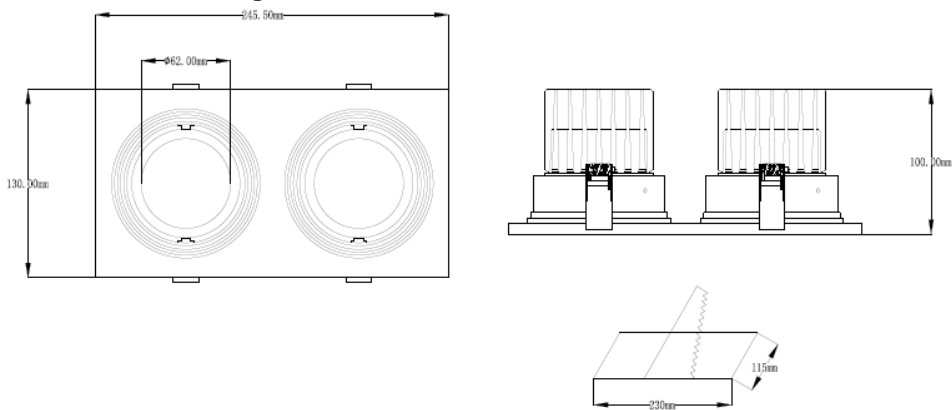
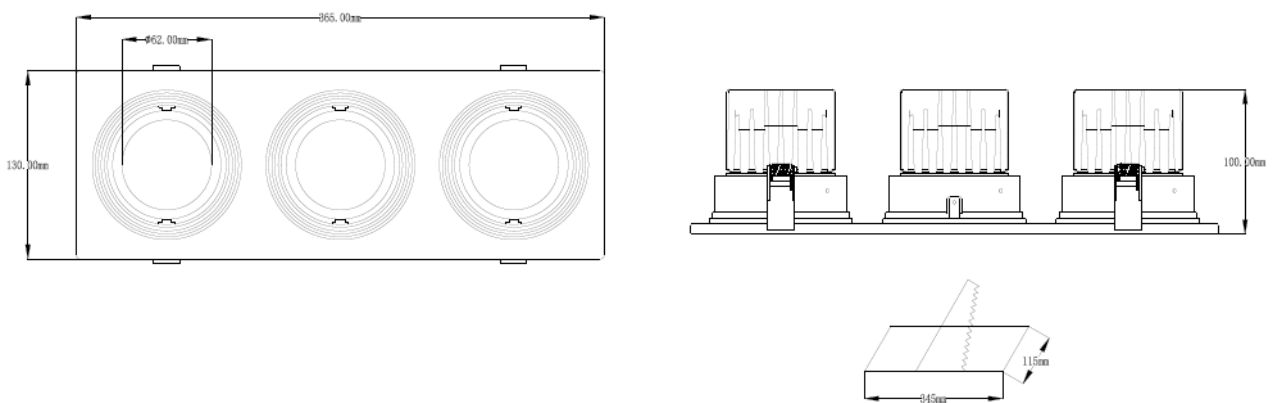
APPLICATIONS

- Merchandise on display
- Commercial Building
- Retail Stores
- Shopping Malls
- Lobby and Corridor

SPECIFICATION

Parameter	OPTIVALU Multi-head Light		
Power (typ.)	1X17W	2X17W	3X17W
Lumens (lm)	1,300lm	2,600lm	3,900lm
Beam angle	20D/40D		
Efficacy (lm/W)	77lm/W	77lm/W	77lm/W
CCT (K)	3000K 4000K 5700K	3000K 4000K 5700K	3000K 4000K 5700K
CRI	80	80	80
SDCM	<4	<4	<4
Dimension (mm)	130 x 130 x 100	260 x 130 x 100	390 x 130 x 100
Mounting Hole	Ø 115mm	230mmX115mm	345mmX115mm
Installation height	110mm	110mm	110mm
Ceiling thickness	2~20mm	2~20mm	2~20mm
Weight	TBD	TBD	TBD
Input Voltage	220~240VAC 50/60Hz		
Surge	1000V		
Power Factor	0.9		
Body Material	Aluminum Body, Diffuser cover: PC		
Ambient (°C)	-20 ... 40°C (T _a in free air)		
Storage (°C)	-20 ... 80°C		
IP Rating	IP20		
Classification	Class II		
Lifetime (L70, T _a @ 25°C)	30KHours		
Approval Standard	IEC 60598-1, IEC 60598-2-2, IEC 61347-1, IEC 61347-2-13, IEC 62471, IEC/TR 62471-2, CISPR 15, IEC 61547, IEC 61000-3-2, Glow Wire Test (850°C)		
Approval Mark	CB & CCC		
Flammability	F		
Environment	RoHS		

- 1.) Due to the special conditions of manufacturing processes of LED, the typical data of technical parameters can only reflect statistical figures and do not necessarily correspond to the actual parameters of each single product which could differ from the typical data.
- 2.) Exceeding maximum ratings for operation voltage will cause hazardous overload and will likely destroy the LED module.
- 3.) Exceeding maximum ratings for operation and storage temperature will reduce expected life time or destroy the LED module.

DIMMENSION DRAWINGS**OPTV Multi-head Light __ 1 head****OPTV Multi-head Light __ 2 heads****OPTV Multi-head Light __ 3 heads**

PHOTOMETRICS

Note: Due to manufacturing processes of LED, the polar candela distribution and distance luminance only reflect statistical figures and do not necessarily correspond to the actual parameters of individual product that may differ from the typical values.

ORDERING CODES

Material	IC Short text	Product description	EAN 10	EAN 40
AM014500055	OPTV Multi-head 1X17W 830 20D		4052899467644	4052899467651
AM014510055	OPTV Multi-head 1X17W 840 20D		4052899467668	4052899467675
AM014520055	OPTV Multi-head 1X17W 857 20D		4052899467682	4052899467699
AM014530055	OPTV Multi-head 2X17W 830 20D		4052899467705	4052899467712
AM014540055	OPTV Multi-head 2X17W 840 20D		4052899467729	4052899467736
AM014550055	OPTV Multi-head 2X17W 857 20D		4052899467743	4052899467750
AM014560055	OPTV Multi-head 3X17W 830 20D		4052899467767	4052899467774
AM014570055	OPTV Multi-head 3X17W 840 20D		4052899467781	4052899467798
AM014580055	OPTV Multi-head 3X17W 857 20D		4052899467804	4052899467811
AM014590055	OPTV Multi-head 1X17W 830 40D		4052899467828	4052899467835
AM014600055	OPTV Multi-head 1X17W 840 40D		4052899467842	4052899467859
AM014610055	OPTV Multi-head 1X17W 857 40D		4052899467866	4052899467873
AM014620055	OPTV Multi-head 2X17W 830 40D		4052899467880	4052899467897
AM014630055	OPTV Multi-head 2X17W 840 40D		4052899467903	4052899467910
AM014640055	OPTV Multi-head 2X17W 857 40D		4052899467927	4052899467934
AM014650055	OPTV Multi-head 3X17W 830 40D		4052899467941	4052899467958
AM014660055	OPTV Multi-head 3X17W 840 40D		4052899467965	4052899467972
AM014670055	OPTV Multi-head 3X17W 857 40D		4052899467989	4052899467996

----- End -----