

OPTIVALU® Sphere Light

Data Sheet



OPTIVALU® Sphere Light series has stylish design and changeable covers which suits different applications in dynamic and glamorous way. Five different covers and deeply recessed optical design allow the fixture to be perfectly concealed with different beam shapes and superior glare control. The adjustable die-cast housing elegantly fit in every commercial environments.

FEATURES

- **Flexibility**
 - 5 kinds of covers for choosing
 - 30D vertical adjustable
- **Comfort**
 - Good optical design based on COB platform
 - Offer different fantastic lighting shape with different cover
 - Better glare control
- **Economy**
 - More than 80% energy saving than conventional MR16
 - Same housing module to improve operation efficiency
 - Easy to installation

APPLICATIONS

- Merchandise on display
- Commercial Building
- Retail Stores
- Shopping Malls
- Lobby and Corridor

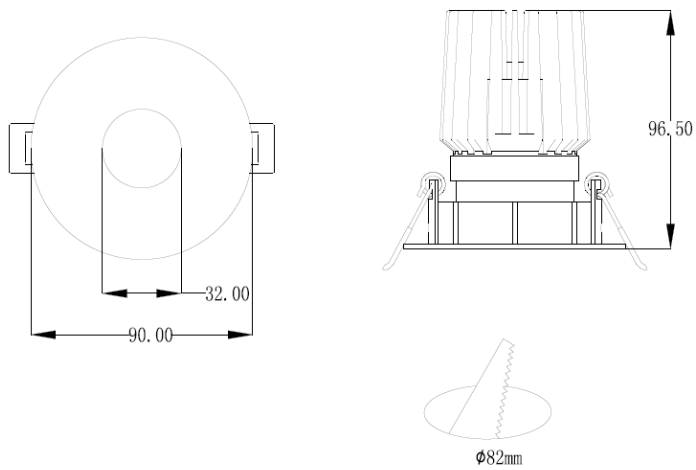
SPECIFICATION

Parameter	OPTV Sphere Light				
Power (typ.)	11W				
Cover shape	Small Hole with Round Rim	Ellipse Hole with Round Rim	Square Hole with Round Rim	Round Hole with Square Rim	Big Hole with Round Rim
Lumens (lm)	850lm				
Beam Angle	24°				
Efficacy (lm/W)	78lm/W				
CCT (K)	3000K 4000K				
CRI	80				
SDCM	<4				
Dimension (mm)	Ø90 x 96.5 (H)	Ø90 x 96.5 (H)	Ø90 x 96.5 (H)	Ø90 x 96.5 (H)	Ø107 x 95 (H)
Mounting Hole	Ø 82mm	Ø 82mm	Ø 82mm	Ø 82mm	Ø 92mm
Installation height	100mm				
Ceiling thickness	2~20mm				
Weight	TBD	TBD	TBD	TBD	TBD
Input Voltage	220~240VAC 50/60Hz				
Surge	1000V				
Power Factor	0.9				
Body Material	Aluminum Body, Diffuser cover: PC				
Ambient (°C)	-20 ... 40°C (T _a in free air)				
Storage (°C)	-20 ... 80°C				
IP Rating	IP20				
Classification	Class II				
Lifetime (L70, T _a @ 25°C)	30Khours				
Approval Standard	IEC 60598-1, IEC 60598-2-2, IEC 61347-1, IEC 61347-2-13, IEC 62471, IEC/TR 62471-2, CISPR 15, IEC 61547, IEC 61000-3-2, Glow Wire Test (850°C)				
Approval Mark	CB & CCC				
Flammability	F				
Environment	RoHS				

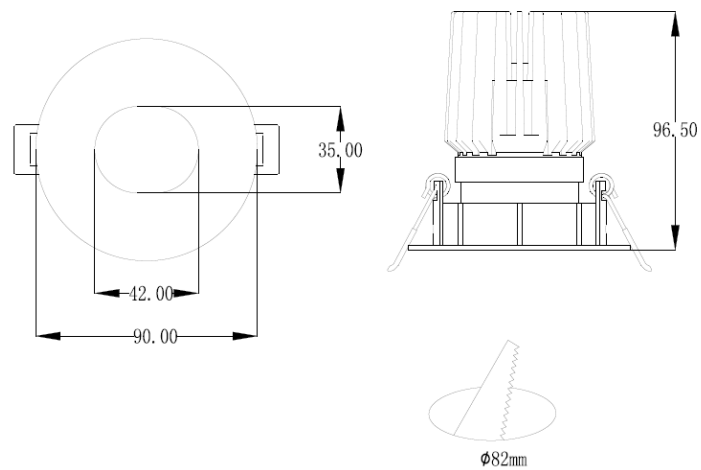
- 1.) Due to the special conditions of manufacturing processes of LED, the typical data of technical parameters can only reflect statistical figures and do not necessarily correspond to the actual parameters of each single product which could differ from the typical data.
- 2.) Exceeding maximum ratings for operation voltage will cause hazardous overload and will likely destroy the LED module.
- 3.) Exceeding maximum ratings for operation and storage temperature will reduce expected life time or destroy the LED module.

DIMENSION DRAWINGS

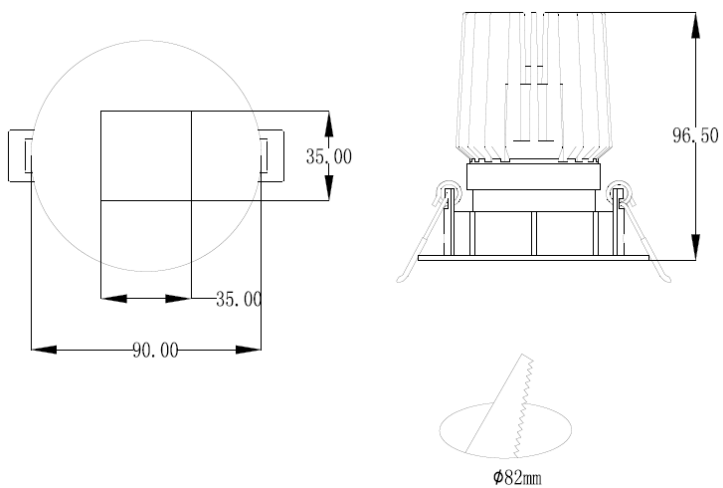
OPTV Sphere Light __ Small Hole with Round Rim

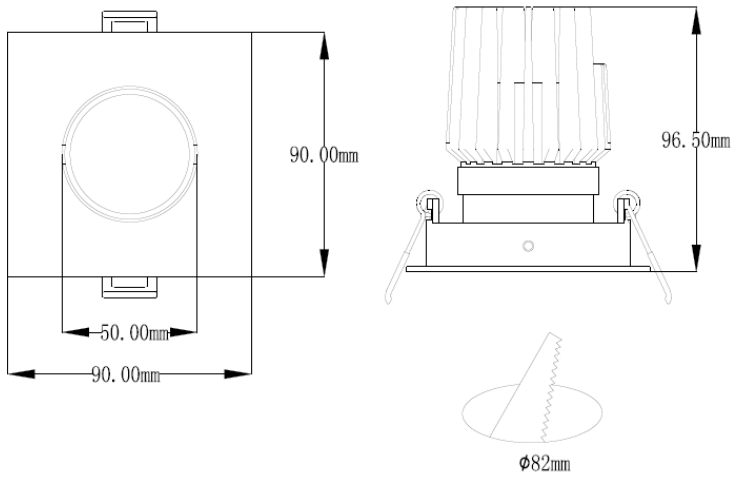
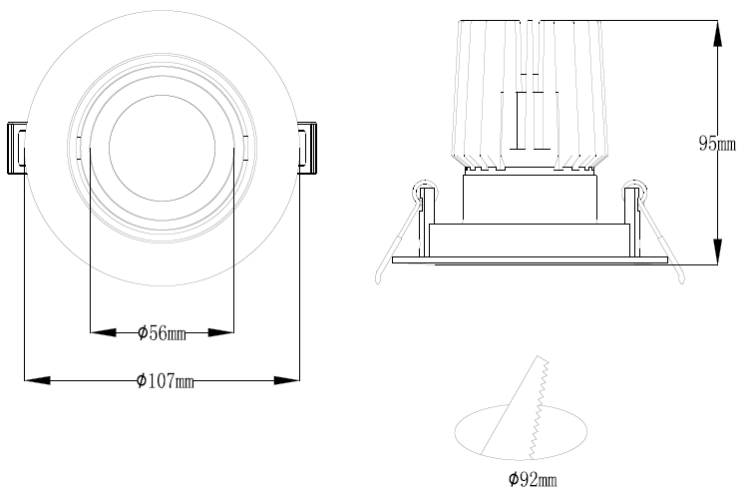


OPTV Sphere Light __ Ellipse Hole with Round Rim



OPTV Sphere Light __ Square Hole with Round Rim



OPTV Sphere Light __ Round Hole with Square Rim**OPTV Sphere Light __ Big Round Hole with Round Rim**

PHOTOMETRICS

Note: Due to manufacturing processes of LED, the polar candela distribution and distance luminance only reflect statistical figures and do not necessarily correspond to the actual parameters of individual product that may differ from the typical values.

ORDERING CODES

Material	IC Short text	Product description	EAN 10	EAN 40
AM014680055	OPTV Sphere Round-S Hole 830 24D		4052899467446	4052899467453
AM014690055	OPTV Sphere Round-S Hole 840 24D		4052899467460	4052899467477
AM014700055	OPTV Sphere Round-B1 Hole 830 24D		4052899467484	4052899467491
AM014710055	OPTV Sphere Round-B1 Hole 840 24D		4052899467507	4052899467514
AM014720055	OPTV Sphere Round-B2 Hole 830 24D		4052899467521	4052899467538
AM014730055	OPTV Sphere Round-B2 Hole 840 24D		4052899467545	4052899467552
AM014740055	OPTV Sphere Ellipse Hole 830 24D		4052899467569	4052899467576
AM014750055	OPTV Sphere Ellipse Hole 840 24D		4052899467583	4052899467590
AM014760055	OPTV Sphere Square Rim 830 24D		4052899467606	4052899467613
AM014770055	OPTV Sphere Square Rim 840 24D		4052899467620	4052899467637

----- End -----