

LED COMFO® ACE

2.5" / 3" / 3.5" / 4" LED Down Light

Data Sheet



The LEDCOMFO® ACE Down Light family offers a full range of options from 2.5" to 8", providing comfortable lighting experience with affordable initial investment. They are ideal replacement for 5W, 7W, 11W, 14W CFL down light with up to 60% of energy savings and mercury free.

MAJOR BENEFITS

- **Comfortable for residential application**
Good lighting quality with affordable LED solution
- **Efficient CFL replacement**
Save 60% energy compared with CFL counterparts
- **Long life time**
2 times longer life time than that of CFL
- **Available CCT**
3000K/4000K/6500K
- **Metal Housing**
Unique OSRAM ID design

APPLICATIONS

- **Replacement for CFL 2.5" - 4" down light**
Offer the same lumen output as 5W, 7W, 11W, 14W CFL at the same size
- **General vertical illumination**
The 90° wide beam makes it suitable for general vertical illumination purpose
- **Applications**
Living room, Bedroom, Cabinet, Corridor, etc

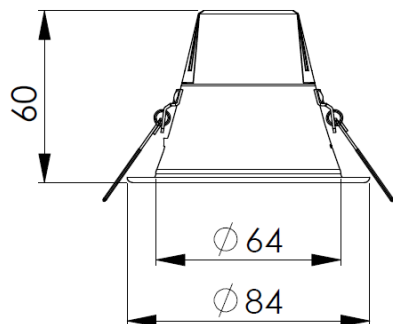
SPECIFICATION

Parameter	LEDCOMFO DL ACE 2.5"	LEDCOMFO DL ACE 3"	LEDCOMFO DL ACE 3.5"	LEDCOMFO DL ACE 4"
Lumens (lm)	175/180/180lm	275/303/303lm	350/385/385lm	450/495/495lm
Beam Angle	90°	90°	90°	90°
Power (typ.)	3.5W	5.5W	7W	8W
Efficacy (lm/W)	50/51/51lm/W	50/55/55lm/W	50/55/55lm/W	55/60/60lm/W
CCT (K)	3000K/4000K/6500K	3000K/4000K/6500K	3000K/4000K/6500K	3000K/4000K/6500K
CRI	Min. 80	Min. 80	Min. 80	Min. 80
Lifetime (T _a @ 25°C)	15,000 hours	15,000 hours	15,000 hours	15000 hours
Input Voltage	220~240VAC 50/60Hz			
Power Factor	0.4	0.4	0.4	0.85
Dimension (mm)	Ø84 x 60 (H)	Ø 96 x 60(H)	Ø 112 x 65(H)	Ø 125 x 64(H)
Mounting Holes	Ø 70	Ø 85	Ø 95	Ø 105
Installation height	>90	>90	>95	>95
Body Material	Aluminum and PC			
Ceiling thickness	2~20mm			
Optics	Diffuser cover (PC)			
Weight (g)	60g	77g	91g	116g
Ambient (°C)	-10 ... 35°C (T _a in free air)			
Storage (°C)	-20 ... 80°C			
IP Rating	IP20			
Protection Class	II			
Approval Standard	IEC 60598-1, IEC 60598-2-2, IEC 61347-1, IEC 61347-2-13, IEC 62471, IEC/TR 62471-2, CISPR 15, IEC 61547, IEC 61000-3-2, Glow Wire Test (850°C)			
Approval Mark	CCC, CB			
Flammability	F			
Environment	RoHS			
Packaging	Folding box including installation manual			

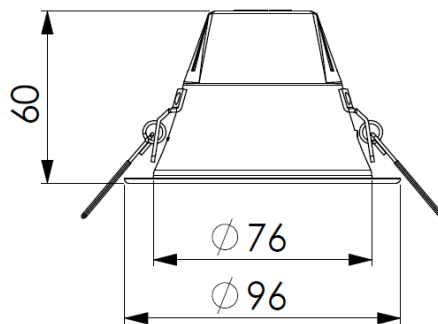
- 1.) Due to the special conditions of manufacturing processes of LED, the typical data of technical parameters can only reflect statistical figures and do not necessarily correspond to the actual parameters of each single product which could differ from the typical data.
- 2.) Exceeding maximum ratings for operation voltage will cause hazardous overload and will likely destroy the LED module.
- 3.) Exceeding maximum ratings for operation and storage temperature will reduce expected life time or destroy the LED module.

DRAWINGS

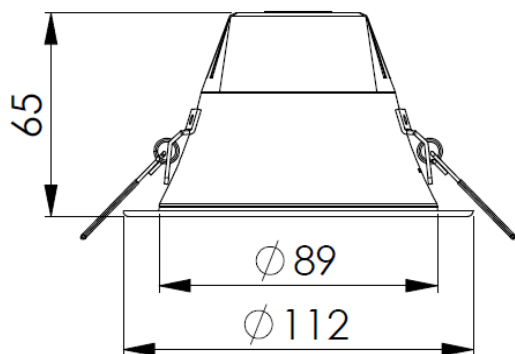
LEDCOMFO DL ACE 2.5"



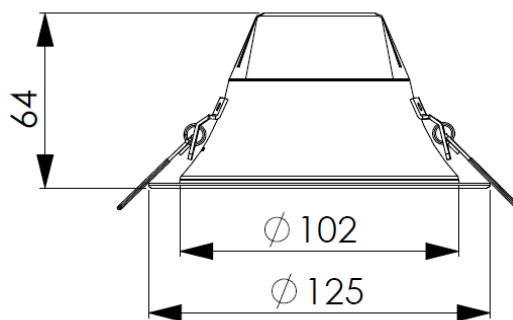
LEDCOMFO DL ACE 3"



LEDCOMFO DL ACE 3.5"



LEDCOMFO DL ACE 4"



ORDERING CODE

Product description	CCT	Region	EAN10	EAN40	Pack Size Pcs/carton
LED COMFO DL ACE 2.5" GC	3000K	APAC	4052899224674	4052899224681	40
LED COMFO DL ACE 2.5" GC	4000K	APAC	4052899224698	4052899224704	40
LED COMFO DL ACE 2.5" GC	6500K	APAC	4052899224759	4052899224766	40
LED COMFO DL ACE 3" GC	3000K	APAC	4052899224773	4052899224780	40
LED COMFO DL ACE 3" GC	4000K	APAC	4052899224797	4052899224803	40
LED COMFO DL ACE 3" GC	6500K	APAC	4052899224810	4052899224827	40
LED COMFO DL ACE 3.5" GC	3000K	APAC	4052899224834	4052899224841	36
LED COMFO DL ACE 3.5" GC	4000K	APAC	4052899224889	4052899224896	36
LED COMFO DL ACE 3.5" GC	6500K	APAC	4052899224902	4052899224919	36
LED COMFO DL ACE 4" GC	3000K	APAC	4052899224926	4052899224933	36
LED COMFO DL ACE 4" GC	4000K	APAC	4052899224940	4052899224957	36
LED COMFO DL ACE 4" GC	6500K	APAC	4052899224988	4052899224995	36
LED COMFO DL ACE 2.5" FL	3000K	APAC	4052899225022	4052899225039	40
LED COMFO DL ACE 2.5" FL	4000K	APAC	4052899225046	4052899225053	40
LED COMFO DL ACE 2.5" FL	6500K	APAC	4052899225084	4052899225091	40
LED COMFO DL ACE 3" FL	3000K	APAC	4052899225107	4052899225114	40
LED COMFO DL ACE 3" FL	4000K	APAC	4052899225121	4052899225138	40
LED COMFO DL ACE 3" FL	6500K	APAC	4052899225169	4052899225176	40
LED COMFO DL ACE 3.5" FL	3000K	APAC	4052899225206	4052899225213	36
LED COMFO DL ACE 3.5" FL	4000K	APAC	4052899225220	4052899225237	36
LED COMFO DL ACE 3.5" FL	6500K	APAC	4052899225275	4052899225282	36
LED COMFO DL ACE 4" FL	3000K	APAC	4052899225343	4052899225350	36
LED COMFO DL ACE 4" FL	4000K	APAC	4052899225367	4052899225374	36
LED COMFO DL ACE 4" FL	6500K	APAC	4052899225381	4052899225398	36
LED COMFO DL ACE 2.5" GC	3000K	CN	4052899224964	4052899224971	40
LED COMFO DL ACE 2.5" GC	4000K	CN	4052899225008	4052899225015	40
LED COMFO DL ACE 2.5" GC	6500K	CN	4052899225060	4052899225077	40
LED COMFO DL ACE 3" GC	3000K	CN	4052899225145	4052899225152	40
LED COMFO DL ACE 3" GC	4000K	CN	4052899225183	4052899225190	40
LED COMFO DL ACE 3" GC	6500K	CN	4052899225299	4052899225305	40
LED COMFO DL ACE 3.5" GC	3000K	CN	4052899225404	4052899225411	36
LED COMFO DL ACE 3.5" GC	4000K	CN	4052899225428	4052899225435	36
LED COMFO DL ACE 3.5" GC	6500K	CN	4052899225442	4052899225459	36
LED COMFO DL ACE 4" GC	3000K	CN	4052899225466	4052899225473	36
LED COMFO DL ACE 4" GC	4000K	CN	4052899225480	4052899225497	36
LED COMFO DL ACE 4" GC	6500K	CN	4052899225503	4052899225510	36
LED COMFO DL ACE 2.5" FL	3000K	CN	4052899225558	4052899225565	40
LED COMFO DL ACE 2.5" FL	4000K	CN	4052899225572	4052899225589	40
LED COMFO DL ACE 2.5" FL	6500K	CN	4052899225596	4052899225602	40
LED COMFO DL ACE 3" FL	3000K	CN	4052899225640	4052899225657	40
LED COMFO DL ACE 3" FL	4000K	CN	4052899225664	4052899225671	40
LED COMFO DL ACE 3" FL	6500K	CN	4052899225688	4052899225695	40
LED COMFO DL ACE 3.5" FL	3000K	CN	4052899225701	4052899225718	36
LED COMFO DL ACE 3.5" FL	4000K	CN	4052899225725	4052899225732	36
LED COMFO DL ACE 3.5" FL	6500K	CN	4052899225848	4052899225855	36
LED COMFO DL ACE 4" FL	3000K	CN	4052899225862	4052899225879	36
LED COMFO DL ACE 4" FL	4000K	CN	4052899225886	4052899225893	36
LED COMFO DL ACE 4" FL	6500K	CN	4052899225909	4052899225916	36

SALES & TECHNICAL SUPPORT

OSRAM Asia Pacific

5F Hantang Building OCT
Nanshan District, Shenzhen 518053
+86 755 3322 4952
www.osram.com

Sales and technical support is given by the local OSRAM subsidiaries. Complete subsidiaries listing is available at OSRAM homepage.