

LEDTOUCH™ Downlight WP

Datasheet



LEDTOUCH™ Downlight WP (Water-proof) series is an ideal replacement for conventional downlight under humid environment such as bathroom and washroom. The series offers up to 50,000hrs long lifetime using genuine OSRAM LED and driver.

Benefits

Water-proof

- IP65 body
- Die-casting housing

Better illumination

- Ideal wide beam angle
- UGR < 22

Stable and durable

- 50,000hrs lifetime
- Genuine OSRAM LED and driver

Easy installation

- Flat design to suit limited ceiling space
- 2.5m external cable

Phase-cut dimming

Applications

- Offices
- Commercial buildings
- Retail stores
- Shopping malls
- Lobby and corridors

LEDTOUCH™ Downlight WP

Technical Data

Optical Specifications

	2.5" × 2	3.5"
Luminous Flux	330 lm × 2	600 lm
Efficacy	63 lm/W	60 lm/W
CCT	3000K, 4000K, 6500K	
CRI	80	
SDCM	<5	
UGR	<22	
Beam Angle	90°	

Electrical and Mechanical Specifications

Input Voltage	220-240V AC 50/60Hz	
Power Consumption	5.5W × 2	10W
Power Factor	0.9	
Dimensions (ØD × H)	80mm × 35mm	110mm × 43mm
Weight	0.4kg	0.3kg
Cover Lens	PC diffuser	
Housing	Aluminium housing	

System Specifications

Power	AC line	
Dimmable	Phase-cut dimming (10%-100% brightness)	
Mounting Hole	67mm	95mm
Installation Height	50mm	60mm
Ceiling Thickness	6 to 22mm	
Operating Temperature	-10°C to +40°C	
Storage Temperature	-20°C to +80°C	
Environment	Indoor humid environment (IP65)	
Lumen Maintenance	L70 @25°C - 50,000hrs	
Safety Approval	Electrical Protection Class II, CB, CE, CCC, Photo-biological safety, RoHS	

Due to the special conditions of manufacturing process of LED, the typical data of technical parameters can only reflect statistical figures and do not necessarily correspond to the actual parameters of each single product which could differ from typical data.

Exceeding maximum ratings for operation voltage will cause hazardous overload and will likely destroy the LED module.

Exceeding maximum ratings for operation and storage temperature will reduce expected life time or destroy the LED module.

09/16 V1.0 · Specifications are subject to change without notice. Errors and omission excepted, always make sure to use the most recent release.

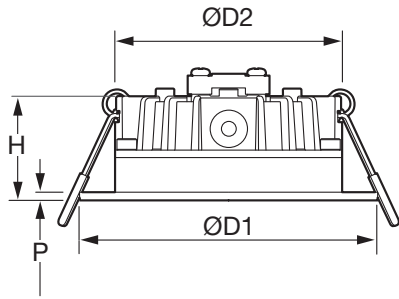
©2016 OSRAM GmbH · All rights reserved · Internet www.lightingsolutions.osram.com/asia

2 of 4

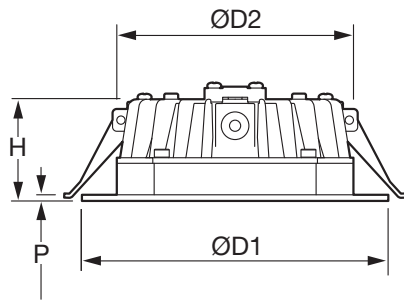
LEDTOUCH™ Downlight WP

Dimensions

2.5"



3.5"



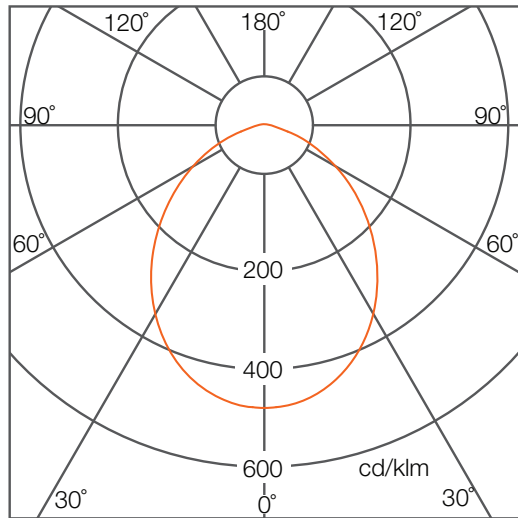
Dimensions

	2.5 inch	3.5 inch
ØD1	80mm	110mm
ØD2	59mm	83mm
H	35mm	43mm
P	2.5mm	

LEDTOUCH™ Downlight WP

Photometrics

Light Distribution Curve (3000K, 4000K, 6500K)



Illuminance at a distance (3000K, 4000K, 6500K)

	Center Beam Lux/klm	Beam Width
0.5m	1856	1.05m
1m	464	2.10m
1.5m	206	3.15m
2m	116	4.20m
2.5m	74	5.25m
3m	52	6.30m

● Spread: 92.8°

For fc divide by 10.7

For feet multiply by 3.28

Due to the manufacturing processes of LED, the polar candela distribution and distance luminaries only reflect statistical figures and do not necessarily correspond to the actual parameters of individual product that may differ from the typical values.

Ordering Codes

Fixture

Short Text	Power	CCT	Material	EAN10	EAN40
LDTH DL WP 2X5.5W 830 4X1 CN OSRAM	2 × 5.5W	3000K	AB388870055	4052899365711	4052899365728
LDTH DL WP 2X5.5W 840 4X1 CN OSRAM	2 × 5.5W	4000K	AB388880055	4052899365735	4052899365742
LDTH DL WP 2X5.5W 865 4X1 CN OSRAM	2 × 5.5W	6500K	AB388890055	4052899365759	4052899365766
LDTH DL WP 2X5.5W 830 4X1 APAC OSRAM	2 × 5.5W	3000K	AB406880055	4052899371415	4052899371422
LDTH DL WP 2X5.5W 840 4X1 APAC OSRAM	2 × 5.5W	4000K	AB406890055	4052899371439	4052899371446
LDTH DL WP 2X5.5W 865 4X1 APAC OSRAM	2 × 5.5W	6500K	AB406900055	4052899371453	4052899371460
LDTH DL WP 10W 830 4X1 OSRAM	10W	3000K	AB388900055	4052899365773	4052899365780
LDTH DL WP 10W 840 4X1 OSRAM	10W	4000K	AB388910055	4052899365797	4052899365803
LDTH DL WP 10W 865 4X1 OSRAM	10W	6500K	AB388920055	4052899365810	4052899365827