

LUXPOINT® Micro G2

Datasheet



LUXPOINT® MIRCOC G2 is a 2nd generation of 10W LED downlight with exceedingly high lumen output better than best 50W halogen downlight. It has a built-in dimmable electronic control gear and offers various options in color temperature, beam angle and ring surface finishing. The superior performance brings great lighting experience to our customers.

Benefits

Exceedingly high lumen output

- 20% more lumen output than 50W halogen
- Save 70~80% energy compared to 50W halogen

Extra long lifetime 35,000hrs

- 17 times longer lifetime than halogen lamp

Available in different beam angles and CCT

- Fit for wide applications with quality color consistency

Easy installation

- Integrated phase-cut dimmable ECG for direct connection to AC mains

Applications

- Halogen replacements
- General illuminations
- Accent illuminations

LUXPOINT® Micro G2

Technical Data

Optical Specifications

	2700K	3000K	4000K	6500K
Luminous Flux	720 lm	770 lm	800 lm	850 lm
Efficacy	72 lm/W	77 lm/W	80 lm/W	85 lm/W
CCT	2700K, 3000K, 4000K, 6500K			
CRI	>80			
SDCM	<5			
Beam Angle	30°, 60°			

Electrical and Mechanical Specifications

Input Voltage	220-240V AC 50/60Hz
Power Consumption	10W
Power Factor	0.9
Surge Protection	Line-to-line 1KV
Total Harmonic Distortion	<12.5%
Dimensions (Ø × H)	Ø100mm × 70mm
Weight	0.3kg
Cover Lens	Reflector and micro lens cover
Housing	Die cast aluminium and PC, front ring color white/silver

System Specifications

Power	AC line
Dimmable	Phase-cut dimming, leading edge / trailing edge Power range 10%-100%, luminous flux range 15%-100%, both depends on dimmer Please contact OSRAM sales support for recommended dimmers
Mounting Hole	Ø90mm
Installation Height	100mm
Ceiling Thickness	2-20mm
Adjustment Option	±15° tilt
Operating Temperature	-20°C to +40°C
Storage Temperature	-30°C to +80°C
Environment	Indoor, (IP20 inside ceiling, IP44 below ceiling)
Lumen Maintenance	L70 @40°C - 35,000hrs
Safety Approval	Electrical Protection Class II, CB, CE, CCC, Photo-biological safety, RoHS

Due to the special conditions of manufacturing process of LED, the typical data of technical parameters can only reflect statistical figures and do not necessarily correspond to the actual parameters of each single product which could differ from typical data.

Exceeding maximum ratings for operation voltage will cause hazardous overload and will likely destroy the LED module.

Exceeding maximum ratings for operation and storage temperature will reduce expected life time or destroy the LED module.

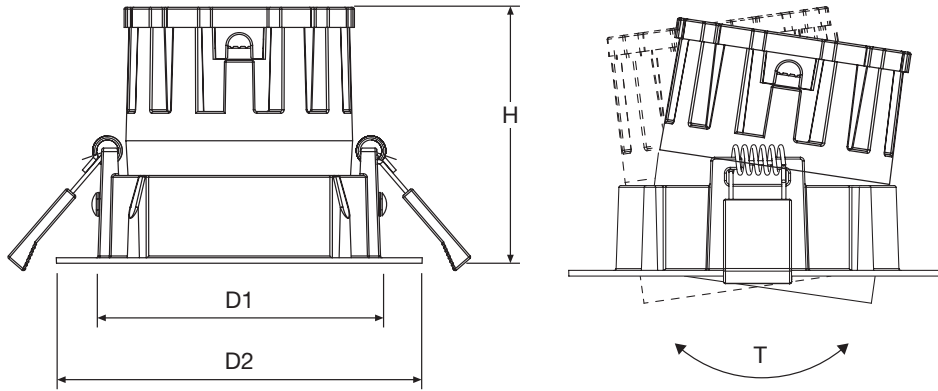
08/16 V1.0 · Specifications are subject to change without notice. Errors and omission excepted, always make sure to use the most recent release.

©2016 OSRAM GmbH · All rights reserved · Internet www.lightingsolutions.osram.com/asia

2 of 4

LUXPOINT® Micro G2

Dimensions

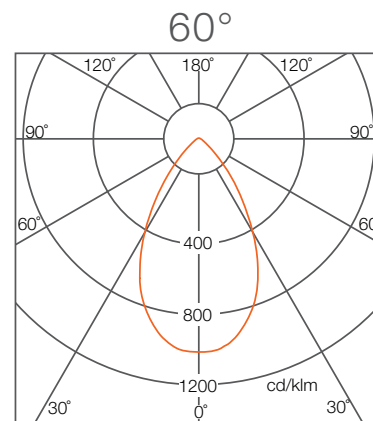
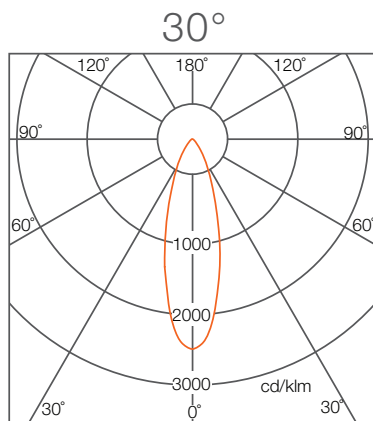


Dimensions

D1	85mm
D2	100mm
H	70mm
T	30°

Photometrics

Light Distribution Curve



Illuminance at a distance

	Center Beam Lux/klm	Beam Width
0.5m	10299	0.27
1m	2575	0.53
1.5m	1144	0.80
2m	644	1.06
2.5m	412	1.33
3m	286	1.60

For feet multiply by 3.28

● Spread: 29.8°
For fc divide by 10.7

	Center Beam Lux/klm	Beam Width
0.5m	3993	0.58m
1m	998	1.15m
1.5m	444	1.73m
2m	250	2.31m
2.5m	160	2.89m
3m	111	3.46m

For feet multiply by 3.28

● Spread: 60.0°
For fc divide by 10.7

Due to the manufacturing processes of LED, the polar candela distribution and distance luminaries only reflect statistical figures and do not necessarily correspond to the actual parameters of individual product that may differ from the typical values.

08/16 V1.0 · Specifications are subject to change without notice. Errors and omission excepted, always make sure to use the most recent release.

©2016 OSRAM GmbH · All rights reserved · Internet www.lightingsolutions.osram.com/asia

LUXPOINT® Micro G2

Ordering Codes

Fixture

Short Text	Beam Angle	CCT	EAN10	EAN40
LXPT MICRO G2 WT 827-L30 4X1 OSRAM	30°	2700K	4052899216211	4052899216228
LXPT MICRO G2 WT 830-L30 4X1 OSRAM	30°	3000K	4052899216235	4052899216242
LXPT MICRO G2 WT 840-L30 4X1 OSRAM	30°	4000K	4052899216259	4052899216266
LXPT MICRO G2 WT 865-L30 4X1 OSRAM	30°	6500K	4052899216273	4052899216280
LXPT MICRO G2 WT 827-L60 4X1 OSRAM	60°	2700K	4052899216297	4052899216303
LXPT MICRO G2 WT 830-L60 4X1 OSRAM	60°	3000K	4052899216310	4052899216327
LXPT MICRO G2 WT 840-L60 4X1 OSRAM	60°	4000K	4052899216334	4052899216341
LXPT MICRO G2 WT 865-L60 4X1 OSRAM	60°	6500K	4052899216358	4052899216365