

Technical data

Reference:	OTe 35/220-240/700 PC
For LED modules:	700 mA LED
Nominal Voltage:	220 – 240 V _{AC}
Line Current, nominal:	185 mA @ 230V
Mains Frequency:	50/60 Hz
Protection Class:	II
Output Current:	700 mA _{DC}
(Remark)	+/- 5%
Output voltage:	27 V _{DC} – 50 V _{DC}
(Remark)	Maximum < 58 V _{DC}
Output Power:	35 W
(Remark)	Partial Load 19W .. 35W
Rated Power factor:	≥ 0,95 (full load) @ 230V > 0,9 (minimum load) @ 230V
Power Loss:	< 7 W max.
ECG efficiency:	≥ 85%
(Remark)	full load at 230V
Power Loss in no load condition	< 1 W
(Remark):	No load condition
Input Voltage:	195 – 264 V _{AC}
(Remark)	Permitted voltage range
DC Voltage:	No
Dimmable:	Yes
(Remark)	Suitable for use with electronic leading- and trailing edge dimmer (Phase Cut)
Dimming Range:	10%.....100%
No-load proof:	Yes
Short circuit protection:	Automatic, reversible
Overload protection:	Automatic, reversible
Overtemperature protection:	Automatic, reversible
Ambient temperature range, t _a :	-20 °C to +45 °C
Max. case temperature at t _c point:	+75 °C
ECG Lifetime:	50,000h
(Remark)	at t _{case} = +65 °C at t _c point and 10% failure rate
Maximum casing temperature in case of fault	110 °C

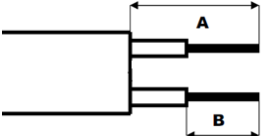

OPTOTRONIC[®]

OTe 35/220-240/700 PC

700mA Constant Current LED Power Supply with
PhaseCut functionality

Technical Information

Edition: Aug 2012
Subject to change

Inrush current: (Remark)	< 10 A $t_{width} = 250 \mu s$ (measured at 50% Ipeak)
Max. no. of ECG @ circuit breakers 10 A (B type):	30
Max. no. of ECG @ circuit breakers 16 A (B type):	50
Terminal:	Input: Screw terminals Output: Screw terminals
Cable cross section input side (Remark)	NYM 3x1.5; H05VV-F(2x1.5 – 2x0.75); H03VV-F(2x1.5 – 2x0.75) Solid and flexible
Wire preparation length Input side:	 cable sheath [A] 16 mm; wires [B] 8 mm
Cable cross section output side: (Remark)	Without wire clamp : NYM 3x1.5; H05VV-F(3x1.5 – 3x1.0) With wire clamp : UL21520 22AWG 2C CABLE Solid and flexible
Wire preparation length output side:	cable sheath [A] 12 mm; wires [B] 6 mm
Max. cable length - system:	2 m
Geometry (l x b x h):	153 x 54 x 36 mm
Weight:	~ 165 g
IP Code: (Remark)	IP20
Safety:	IEC 61347-1, IEC 61347-2-13
Performance:	IEC 62384
Radio interference:	CISPR 15
Harmonic content:	IEC 61000-3-2
Immunity:	IEC 61000-3-3 IEC 61547
Surge capability:	L-N: 1kV
Galvanic isolation primary/secondary : (Remark)	3,75 kVrms SELV-equivalent
Approvals:	

OPTOTRONIC®

OTe 35/220-240/700 PC

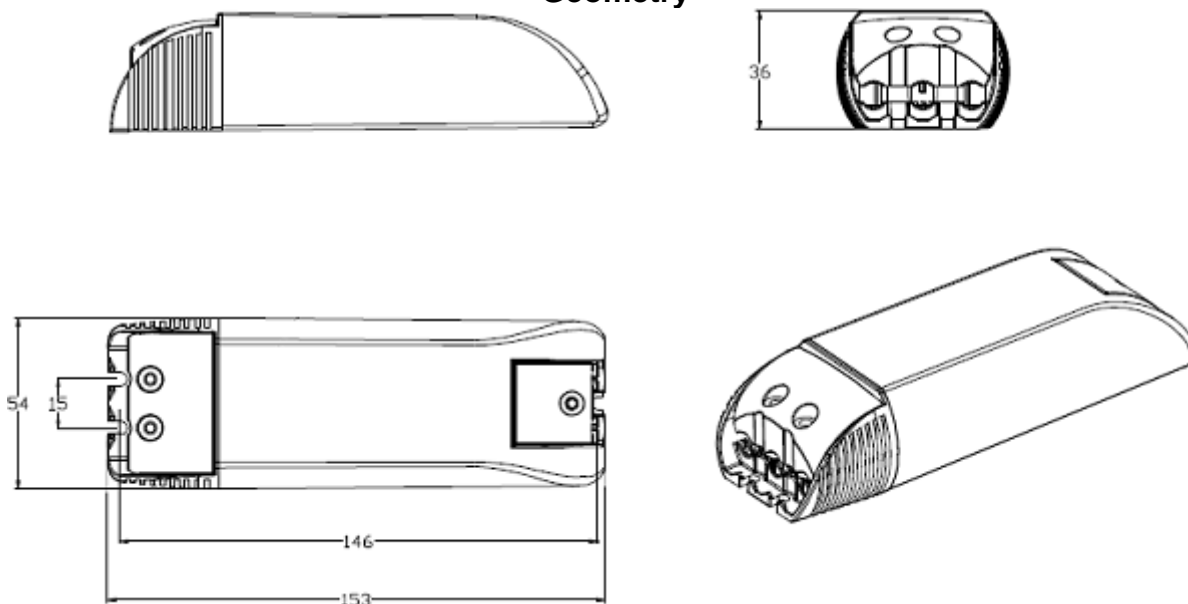
700mA Constant Current LED Power Supply with PhaseCut functionality

Technical Information

Edition: Aug 2012

Subject to change

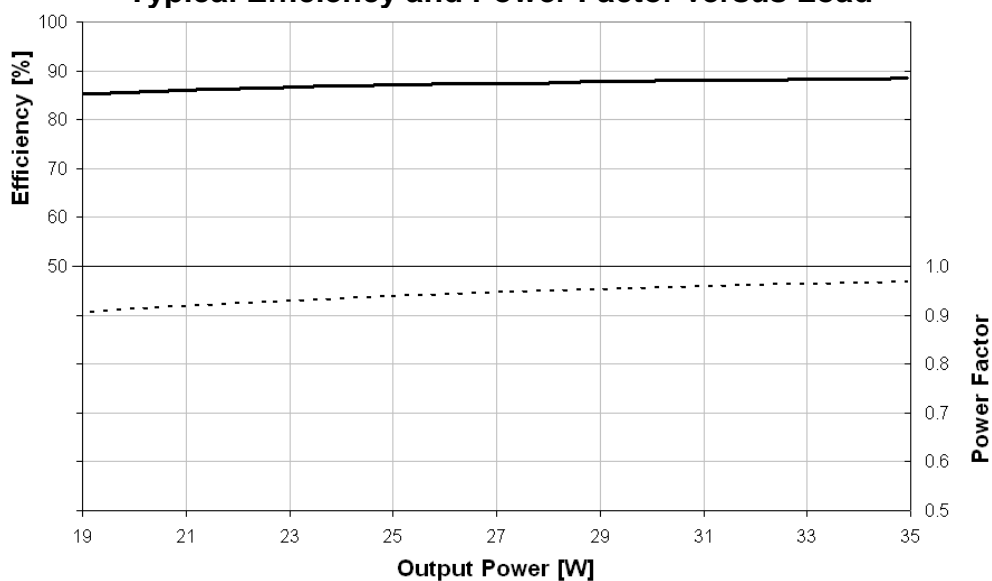
Geometry



Ordering information

	EAN 10	EAN 40
OTe 35/220-240/700 PC	4008321825520	4008321825537

Typical Efficiency and Power Factor versus Load



OPTOTRONIC[®]
OTe 35/220-240/700 PC
700mA Constant Current LED Power Supply with
PhaseCut functionality

**Technical
Information**
Edition: Aug 2012
Subject to change

Earth connection

Earth connection is not required.

Installation notes

The luminaire manufacturer is responsible for providing the required clearances and creepage distances and also for the protection against electrical shock, especially for the line and load wires according EN 60598.

Ballast losses and LED Module heat radiation can lead to heat accumulation in a complete closed case. Therefore it is necessary to ensure, that the temperature at the measuring point t_c does not exceed the maximum value.

Instruction sheet

Please consult the instruction sheet for further important information on e.g. wire stripping and wiring limitations in system installations. The instruction sheet is enclosed with the device or available upon request.