

## LEDVANCE® Spot LED PRO



LEDVANCE® Spotlight LED is an orientable low-profile, recessed-mounted LED spotlight for general illumination. The spotlight creates a natural lighting effect for use in general lighting applications. The special duo-optic design replicates the halogen spot effect and increases Center Beam Candela Power, which makes it a perfect replacement for traditional spotlights with reflector halogen lamps. Die-cast aluminum housing and heat sink with external driver guarantees reliable performance even under high power operation. Choices of different wattages and beam angles give much freedom to professional users. The standard cut-out and long lifetime makes it an easy to use energy-saving replacement for traditional halogen spotlights up to 50W.

### Product Features & Benefits

- Available in 2W, 3W, 5W, 8W, 10W
- Available in 10°, 14°, 24°, 36° beam angles
- High power COB delivers high lumen packages in a compact fixture housing
- Duo-optic design best replicates the halogen spot effect
- High grade aluminum housing and front ring ensure reliable operation
- External driver design reduces overall product height to fit in tight ceiling spaces
- Standard 3000K CCT
- High CRI >80
- Long 30,000hr lifetime reduces maintenance costs
- IP safe high efficient COB ensure system liability and legal risks free
- Pre-wired with mains cable
- Safety Compliance Certificates - CCC & CB

### Application Areas:

- Jewelry display in shop
- Offices
- Residential
- Hospitality & retail shops
- Wall washing corridors

### General Specifications

LEDVANCE Spot LED PRO		2W	3W/5W/8W/10W
Electrical Data	Voltage range	220 - 240VAC	
	Power factor	0.4	
	Line frequency	50/60Hz	
	Protection class	Class II	
Optical / Photometric	Beam angle	10°	14° , 24° , 36°
	CCT(K)	3000	
	CRI	80	
	LED	SMD	COB
	Rated lifetime	30,000 hrs @ L70 25°C	
Housing	Material	Die-cast aluminum in white (RAL9003)	
	Heat sink	Aluminum in Grey (RAL7015)	
	Ingress protection	IP20	
	Driver	external	

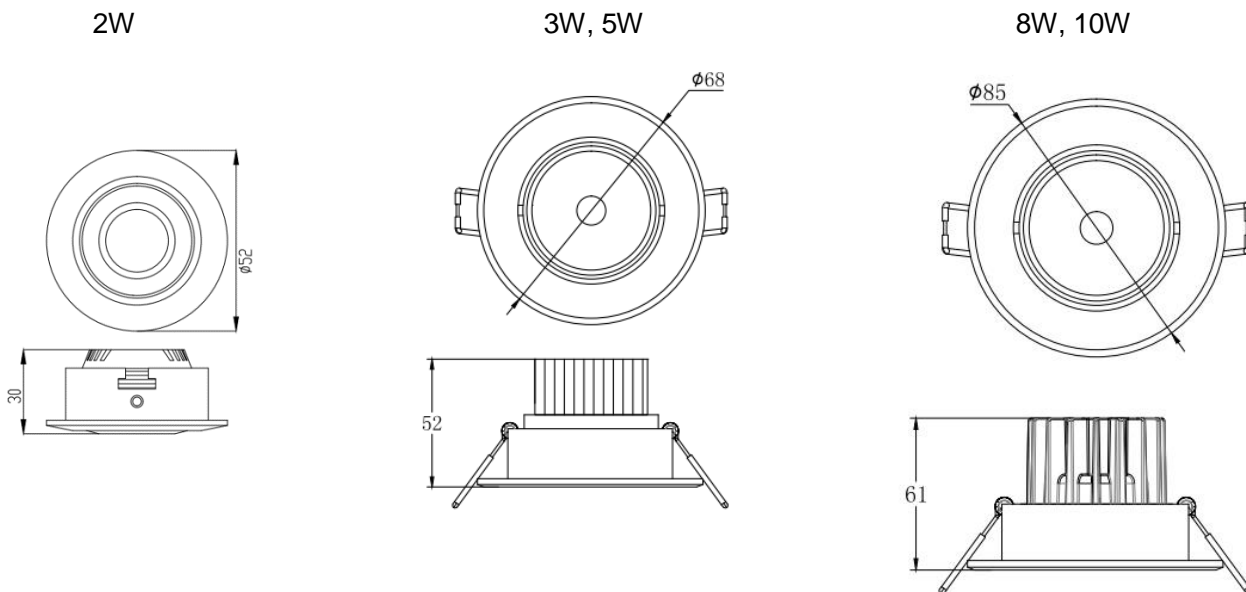
Optical / Photometric	Input current (mA)	Wattage (W)	Beam angle (°)	Centre beam candle power (CBCP, cd)
SPOT LED AD PRO 2W SP	25	2	10	1350
SPOT LED AD PRO 3W FL	38	3	24	1070
SPOT LED AD PRO 5W SP	63	5	14	2170
SPOT LED AD PRO 5W FL	63	5	24	1780
SPOT LED AD PRO 8W SP	100	8	14	4150
SPOT LED AD PRO 8W FL	100	8	24	2850
SPOT LED AD PRO 10W SP	125	10	14	4270
SPOT LED AD PRO 10W FL	125	10	24	3150
SPOT LED AD PRO 10W WFL	125	10	36	1670

## Ordering Codes:

IC	Description	Shipping quantity	EAN10	EAN40
AB44857(TBA)	SPOT LED AD PRO 2W/3000K SP WT 36X1 LEDV	36	TBA	TBA
AB44859(TBA)	SPOT LED AD PRO 3W/3000K FL WT 36X1 LEDV	36	TBA	TBA
AB44861(TBA)	SPOT LED AD PRO 5W/3000K SP WT 36X1 LEDV	36	TBA	TBA
AB44862(TBA)	SPOT LED AD PRO 5W/3000K FL WT 36X1 LEDV	36	TBA	TBA
AB44864(TBA)	SPOT LED AD PRO 8W/3000K SP WT 36X1 LEDV	36	TBA	TBA
AB44865(TBA)	SPOT LED AD PRO 8W/3000K FL WT 36X1 LEDV	36	TBA	TBA
AB44867(TBA)	SPOT LED AD PRO 10W/3000KSP WT 36X1 LEDV	36	TBA	TBA
AB44868(TBA)	SPOT LED AD PRO 10W/3000KFL WT 36X1 LEDV	36	TBA	TBA
AB44869(TBA)	SPOT LED AD PRO 10W/3000KWFL WT36X1 LEDV	36	TBA	TBA

Polar intensity diagram: To be updated

## Drawing/Dimensions:



	Diameter mm	Height mm	Weight g	Cut out mm
SPOT LED PRO 2W	52	30	87	44-46
SPOT LED PRO 3W	68	52	121	55-60
SPOT LED PRO 5W	68	52	125	55-60
SPOT LED PRO 8W	85	61	200	70-75
SPOT LED PRO 10W	85	61	202	70-75