

Product family datasheet

OSRAM

BackLED ECO M G2

LED modules for light advertising and backlighting



Areas of application

- Single-sided light boxes
- Channel Letter

Product family benefits

- Over-molding technology for optimal protection on LED and PCB
- Double-sided tape for pre-mounting
- IP64

Product family features

- Color consistency in 3 SDCM (3000 K - 6500 K), 5 SDCM (8000 K)
- Available in 3000 K, 4000 K, 5700 K, 6500 K, 8000 K, RED, Blue
- Min CRI 80



Product family datasheet

Technical data

Electrical data

| Product description | Nominal voltage | Nominal wattage per chain | Nominal wattage per LED module | Accidental reverse input voltage protection up to | Input voltage range | Type of current |
|---------------------|-----------------|---------------------------|--------------------------------|---|---------------------|-----------------|
| BA-ECO-M-880 G2 | 12.0 V | 13.50 W | 0.67 W | 13 V | 12...13 V | DC |
| BA-ECO-M-865 G2 | 12.0 V | 14.40 W | 0.72 W | 13 V | 12...13 V | DC |
| BA-ECO-M-857 G2 | 12.0 V | 14.40 W | 0.72 W | 13 V | 12...13 V | DC |
| BA-ECO-M-840 G2 | 12.0 V | 14.40 W | 0.72 W | 13 V | 12...13 V | DC |
| BA-ECO-M-830 G2 | 12.0 V | 14.40 W | 0.72 W | 13 V | 12...13 V | DC |
| BA-ECO-M-BLUE G2 | 12.0 V | 12.00 W | 0.6 W | 13 V | 12...13 V | DC |
| BA-ECO-M -RED-G2 | 12.0 V | 12.00 W | 0.6 W | 13 V | 12...13 V | DC |

Photometrical data

| Product description | Color temperature | Color rendering index Ra | Light color (designation) | Light color LED | Luminous flux per module chain | Luminous flux per LED module | Luminous efficacy |
|---------------------|-------------------|--------------------------|---------------------------|-----------------|--------------------------------|------------------------------|--------------------------|
| BA-ECO-M-880 G2 | 8000 K | 80 | Cold White | White | 1600 lm | 76 lm | 105.6 lm/W ¹⁾ |
| BA-ECO-M-865 G2 | 6500 K | 80 | Cool White | White | 1600 lm | 76 lm | 105.6 lm/W ¹⁾ |
| BA-ECO-M-857 G2 | 5700 K | 80 | Neutral White | White | 1600 lm | 76 lm | 105.6 lm/W ¹⁾ |
| BA-ECO-M-840 G2 | 4000 K | 80 | Neutral White | White | 1600 lm | 76 lm | 105.6 lm/W ¹⁾ |
| BA-ECO-M-830 G2 | 3000 K | 80 | Warm White | White | 1520 lm | 73 lm | 101.4 lm/W ¹⁾ |
| BA-ECO-M-BLUE G2 | 457 nm K | - | Blue | Blue | 230 lm | 9.5 lm | 15.8 lm/W ¹⁾ |
| BA-ECO-M -RED-G2 | 622 nm K | - | Red | Red | 470 lm | 21 lm | 35 lm/W ¹⁾ |

¹⁾ At T_a = 25 °C

Light technical data

| Product description | Beam angle |
|---------------------|------------|
| BA-ECO-M-880 G2 | 120 ° |
| BA-ECO-M-865 G2 | 120 ° |
| BA-ECO-M-857 G2 | 120 ° |
| BA-ECO-M-840 G2 | 120 ° |
| BA-ECO-M-830 G2 | 120 ° |
| BA-ECO-M-BLUE G2 | 120 ° |
| BA-ECO-M -RED-G2 | 120 ° |

Product family datasheet

LED module information

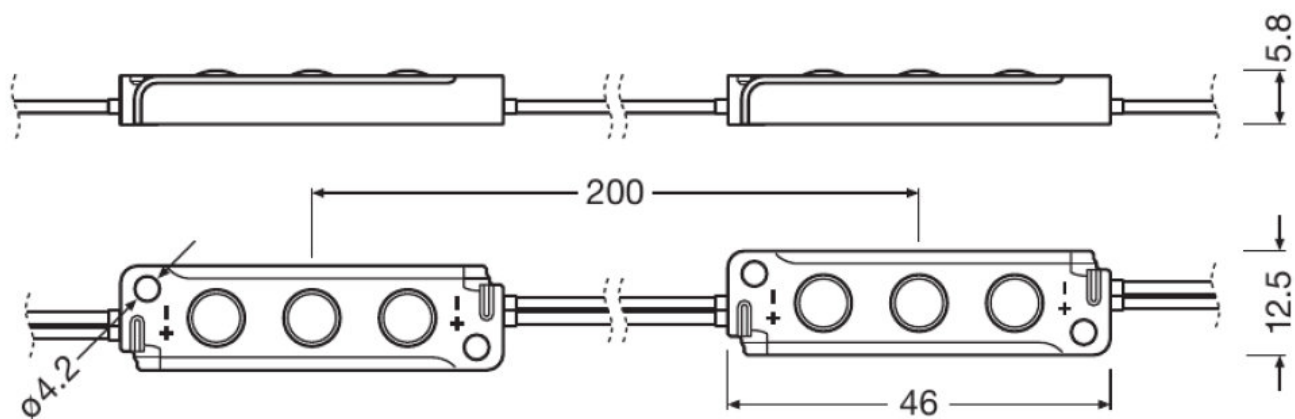
| Product description | Number of LEDs per module | Number of LED modules per chain | Minimum operable number of LED modules |
|---------------------|---------------------------|---------------------------------|--|
| BA-ECO-M-880 G2 | 3 | 20 | 1 |
| BA-ECO-M-865 G2 | 3 | 20 | 1 |
| BA-ECO-M-857 G2 | 3 | 20 | 1 |
| BA-ECO-M-840 G2 | 3 | 20 | 1 |
| BA-ECO-M-830 G2 | 3 | 20 | 1 |
| BA-ECO-M-BLUE G2 | 3 | 20 | 1 |
| BA-ECO-M -RED-G2 | 3 | 20 | 1 |

Dimensions & weight

| Product description | Length | Width | Height | Product weight |
|---------------------|---------|---------|---------|----------------|
| BA-ECO-M-880 G2 | 46.0 mm | 12.5 mm | 5.80 mm | 148.50 g |
| BA-ECO-M-865 G2 | 46.0 mm | 12.5 mm | 5.80 mm | 148.50 g |
| BA-ECO-M-857 G2 | 46.0 mm | 12.5 mm | 5.80 mm | 148.50 g |
| BA-ECO-M-840 G2 | 46.0 mm | 12.5 mm | 5.80 mm | 148.50 g |
| BA-ECO-M-830 G2 | 46.0 mm | 12.5 mm | 5.80 mm | 148.50 g |
| BA-ECO-M-BLUE G2 | 46.0 mm | 12.5 mm | 5.80 mm | 148.50 g |
| BA-ECO-M -RED-G2 | 4173 mm | 12.5 mm | 6.30 mm | 6.50 g |

Product family datasheet

Product line drawing



BA-ECO-M-880 G2, BA-ECO-M-865 G2, BA-ECO-M-857 G2, BA-ECO-M-840 G2, BA-ECO-M-830 G2, BA-ECO-M-BLUE G2, BA-ECO-M-RED-G2

Temperatures & operating conditions

| Product description | Temperature range in operation at T _c point | Temperature range at storage |
|---------------------|--|------------------------------|
| BA-ECO-M-880 G2 | -20...60 °C ¹⁾ | -30...85 °C |
| BA-ECO-M-865 G2 | -20...60 °C ¹⁾ | -30...85 °C |
| BA-ECO-M-857 G2 | -20...60 °C ¹⁾ | -30...85 °C |
| BA-ECO-M-840 G2 | -20...60 °C ¹⁾ | -30...85 °C |
| BA-ECO-M-830 G2 | -20...60 °C ¹⁾ | -30...85 °C |
| BA-ECO-M-BLUE G2 | -20...60 °C ¹⁾ | -30...85 °C |
| BA-ECO-M-RED-G2 | -20...60 °C ¹⁾ | -30...85 °C |

¹⁾ At the T_c point

Product family datasheet

Lifespan

| Product description | Lifespan |
|---------------------|---------------|
| BA-ECO-M-880 G2 | 30000 h 1) |
| BA-ECO-M-865 G2 | 30000 h 1) |
| BA-ECO-M-857 G2 | 30000 h 1) |
| BA-ECO-M-840 G2 | 30000 h 1) |
| BA-ECO-M-830 G2 | 30000 h 1) |
| BA-ECO-M-BLUE G2 | 30000 h 1) |
| BA-ECO-M -RED-G2 | 20000 h 1) |

1) L70/B50 at T_c 60 °C

Capabilities

| Product description | Dimmable | Dimming range |
|---------------------|----------|---------------|
| BA-ECO-M-880 G2 | Yes | 1...100 % |
| BA-ECO-M-865 G2 | Yes | 1...100 % |
| BA-ECO-M-857 G2 | Yes | 1...100 % |
| BA-ECO-M-840 G2 | Yes | 1...100 % |
| BA-ECO-M-830 G2 | Yes | 1...100 % |
| BA-ECO-M-BLUE G2 | Yes | 1...100 % |
| BA-ECO-M -RED-G2 | Yes | 1...100 % |

Product family datasheet

Certificates & standards

| Product description | Energy consumption | Energy efficiency class | Type of protection | Standards |
|---------------------|--------------------|-------------------------|--------------------|---|
| BA-ECO-M-880 G2 | 14 kWh/1000h | A+ | IP64 | Acc. to EN 55015/Acc. to EN 61547/Acc. to EN 62031/Acc. to IEC 60598-1/Acc. to IEC 61347-1/Acc. to IEC 62471/IEC TR 62778 |
| BA-ECO-M-865 G2 | 15 kWh/1000h | A+ | IP64 | Acc. to EN 55015/Acc. to EN 61547/Acc. to EN 62031/Acc. to IEC 60598-1/Acc. to IEC 61347-1/Acc. to IEC 62471/IEC TR 62778 |
| BA-ECO-M-857 G2 | 15 kWh/1000h | A+ | IP64 | Acc. to EN 55015/Acc. to EN 61547/Acc. to EN 62031/Acc. to IEC 60598-1/Acc. to IEC 61347-1/Acc. to IEC 62471/IEC TR 62778 |
| BA-ECO-M-840 G2 | 15 kWh/1000h | A+ | IP64 | Acc. to EN 55015/Acc. to EN 61547/Acc. to EN 62031/Acc. to IEC 60598-1/Acc. to IEC 61347-1/Acc. to IEC 62471/IEC TR 62778 |
| BA-ECO-M-830 G2 | 15 kWh/1000h | A+ | IP64 | Acc. to IEC 62471/Acc. to IEC 61347-1/Acc. to IEC 60598-1/Acc. to EN 55015/Acc. to EN 61547/Acc. to EN 62031/IEC TR 62778 |
| BA-ECO-M-BLUE G2 | 12 kWh/1000h | C | IP64 | Acc. to EN 55015/Acc. to EN 61547/Acc. to EN 62031/Acc. to IEC 60598-1/Acc. to IEC 61347-1/Acc. to IEC 62471/IEC TR 62778 |
| BA-ECO-M -RED-G2 | 12 kWh/1000h | B | IP64 | Acc. to IEC 62471/Acc. to IEC 61347-1/Acc. to EN 62031/Acc. to IEC 60598-1/Acc. to EN 55015/Acc. to EN 61547 |

Product family datasheet

Logistical data

| Product description | Commodity code |
|---------------------|----------------|
| BA-ECO-M-880 G2 | 888888888888 |
| BA-ECO-M-865 G2 | 888888888888 |
| BA-ECO-M-857 G2 | 888888888888 |
| BA-ECO-M-840 G2 | 888888888888 |
| BA-ECO-M-830 G2 | 888888888888 |
| BA-ECO-M-BLUE G2 | 888888888888 |
| BA-ECO-M -RED-G2 | 888888888888 |


Application advice

For more detailed application information and graphics please see product datasheet.

Sales and Technical Support

Sales and Technical Support www.osram.com

Download Data

| File |
|--|
|  User instruction BackLED Eco M C4C G1 |

Logistical Data

| Product code | Product description | Packaging unit (Pieces/Unit) | Dimensions (length x width x height) | Volume | Gross weight |
|---------------|---------------------|------------------------------|--------------------------------------|-----------------------|--------------|
| 4062172121514 | BA-ECO-M-880 G2 | Shipping carton box 80 | 469 mm x 282 mm x 303 mm | 40.07 dm ³ | 13116.00 g |
| 4062172121637 | BA-ECO-M-865 G2 | Shipping carton box 80 | 469 mm x 282 mm x 303 mm | 40.07 dm ³ | 13116.00 g |
| 4062172121972 | BA-ECO-M-857 G2 | Shipping carton box 80 | 469 mm x 282 mm x 303 mm | 40.07 dm ³ | 13116.00 g |
| 4062172121798 | BA-ECO-M-840 G2 | Shipping carton box 80 | 469 mm x 282 mm x 303 mm | 40.07 dm ³ | 13116.00 g |
| 4062172121873 | BA-ECO-M-830 G2 | Shipping carton box 80 | 469 mm x 282 mm x 303 mm | 40.07 dm ³ | 13116.00 g |
| 4062172121958 | BA-ECO-M-BLUE G2 | Shipping carton box 80 | 469 mm x 282 mm x 303 mm | 40.07 dm ³ | 13116.00 g |

Product family datasheet

| Product code | Product description | Packaging unit (Pieces/Unit) | Dimensions (length x width x height) | Volume | Gross weight |
|---------------|---------------------|------------------------------|--------------------------------------|-----------------------|--------------|
| 4052899333765 | BA-ECO-M -RED-G2 | Shipping carton box 80 | 469 mm x 282 mm x 303 mm | 40.07 dm ³ | 1196.00 g |

The mentioned product code describes the smallest quantity unit which can be ordered. One shipping unit can contain one or more single products. When placing an order, for the quantity please enter single or multiples of a shipping unit.

Disclaimer

Subject to change without notice. Errors and omission excepted. Always make sure to use the most recent release.