

OLUX[®] LED IN-GROUND

Datasheet



OLUX[®] LED IN-GROUND is the LED in-ground lighting solution from OSRAM landscape lighting family, which provides OSRAM good performance, quality and reliability with minimized initial investment. OLUX[®] LED IN-GROUND offers optimized selections of beam angles, CCTs and lumen outputs for in-ground lighting. The application-oriented features promise flexible options for landscape, architectural and urban applications, creating appealing and comfortable lighting effects.

BENEFITS

- **Various options**
Two powers – 7W and 12W
Three CCTs – 3000K, 4000K and 5700K
Three beam angles – 12°, 20°, 30°
Red, Green, Blue and Amber colors reserved
- **IP67 and IK09 protection**
Robust design and high reliability, offering “fit-and-forget”, maintenance-free
- **2000kg static load**
Suitable for demanding applications.
- **Direct AC-in with integrated driver**
Easy installation, “plug-and-play”
- **Environmental friendly**
Contains no hazardous materials

APPLICATIONS

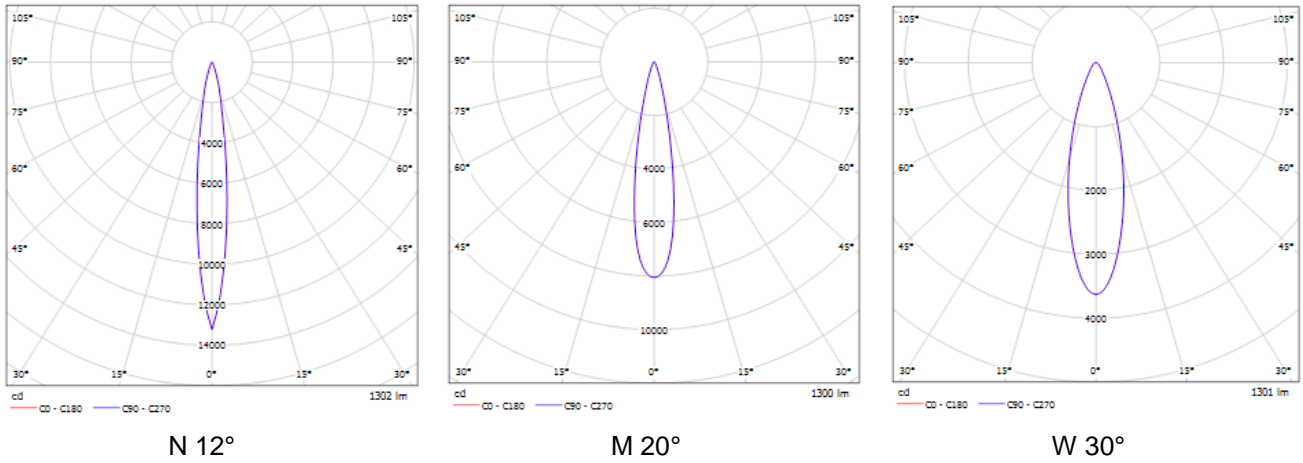
- **Landscape**
Bridges, foot paths, plants, statues
- **Urban**
City square, business plaza
- **Architectural**
Façade, accent, wall-mounted

SPECIFICATION

OLUX LED IN-GROUND		S			M	
Optical*	Typical lumens @3000K	430lm			830lm	
	Typical lumens @4000K	600lm			1170lm	
	Typical lumens @5700K	700lm			1300lm	
	Beam angle	12°	20°	30°	12°	20° 30°
	CCT (typical)	3000K, 4000K, 5700K				
	CRI	WW>80, CW>70				
	Lifetime	35,000 hrs @ Ta=35°C				
Electrical	Input	220 -240V~, 50/60Hz				
	System Power	7W ±10%			12W ±10%	
	Power Factor	0.85			0.90	
Mechanical	IP	IP65, IP67				
	IK	IK09				
	Static load	20kN (2000kg)				
	Dimension (mm)	Φ150x107			Φ185x136	
	Weight	1.3 kg			2.4 kg	
	Cable	Luminaire power cable 450mm in length				
	Housing material	Aluminum alloy (ADC12)				
Temperature	Housing color	RAL9006				
	Ambient (Ta in free air)	-20 ... 40°C				
Standard Compliance	Storage	-30 ... 85°C				
	Certification	CE, CB, CCC				
	Electrical shock protection	Class I				
	Environment	RoHS				

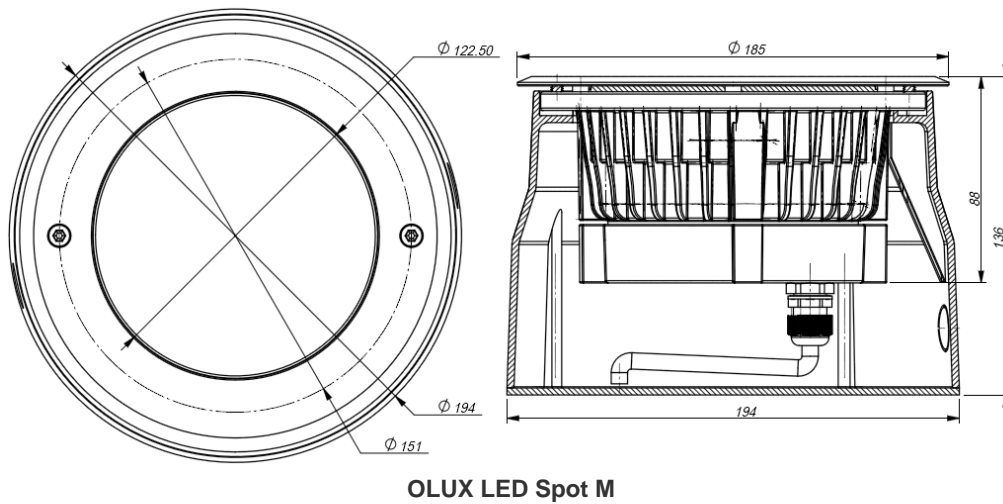
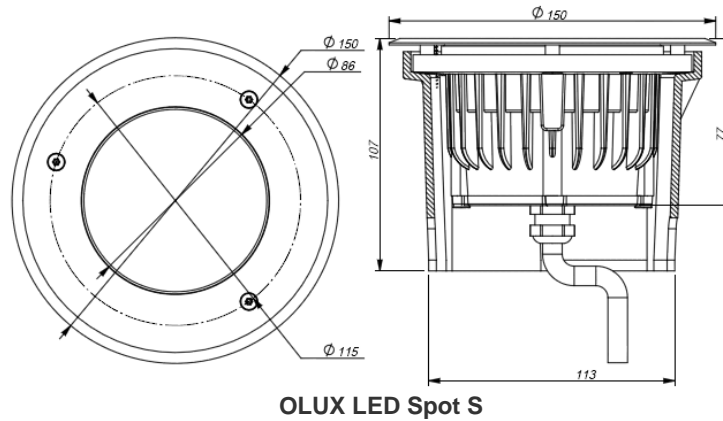
* The typical data of technical parameters can only reflect statistical figures and do not necessarily correspond to the actual parameters of each single product. Actual lumen output can be varied due to many factors like lamp factor of LED, input current/voltage, thermal conditions, optical tolerance, and even measurement tolerance. Therefore the data above is for reference only. If customers have any specific demand on particular parameters, please contact Osram sales or marketing staff for advice.

PHOTOMETRICS



Note: Due to manufacturing processes of LED, the polar candela distribution and distance illuminance only reflect statistical figures and do not necessarily correspond to the actual parameters of individual product, which may differ from the typical values.

DRAWINGS



ORDERING CODE

APAC Version (CE, CB)

Size	Short text	W	CCT	Beam Angle	EAN10	Shipping Unit
S	OLUX LED IN-GROUND S 830 N 6X1 OSRAM	7W	3000K	12°	4052899044258	6
	OLUX LED IN-GROUND S 830 M 6X1 OSRAM			20°	4052899044272	6
	OLUX LED IN-GROUND S 830 W 6X1 OSRAM			30°	4052899044296	6
	OLUX LED IN-GROUND S 740 N 6X1 OSRAM		4000K	12°	4052899044319	6
	OLUX LED IN-GROUND S 740 M 6X1 OSRAM			20°	4052899044333	6
	OLUX LED IN-GROUND S 740 W 6X1 OSRAM			30°	4052899044357	6
	OLUX LED IN-GROUND S 757 N 6X1 OSRAM		5700K	12°	4052899044371	6
	OLUX LED IN-GROUND S 757 M 6X1 OSRAM			20°	4052899044395	6
	OLUX LED IN-GROUND S 757 W 6X1 OSRAM			30°	4052899044418	6
M	OLUX LED IN-GROUND M 830 N 4X1 OSRAM	12W	3000K	12°	4052899044432	4
	OLUX LED IN-GROUND M 830 M 4X1 OSRAM			20°	4052899044456	4
	OLUX LED IN-GROUND M 830 W 4X1 OSRAM			30°	4052899044470	4
	OLUX LED IN-GROUND M 740 N 4X1 OSRAM		4000K	12°	4052899044494	4
	OLUX LED IN-GROUND M 740 M 4X1 OSRAM			20°	4052899044517	4
	OLUX LED IN-GROUND M 740 W 4X1 OSRAM			30°	4052899044531	4
	OLUX LED IN-GROUND M 757 N 4X1 OSRAM		5700K	12°	4052899044555	4
	OLUX LED IN-GROUND M 757 M 4X1 OSRAM			20°	4052899044579	4
	OLUX LED IN-GROUND M 757 W 4X1 OSRAM			30°	4052899044593	4

China Version (CCC)

Size	Short text	W	CCT	Beam Angle	EAN10	Shipping Unit
S	OLUX LED IN-GROUND S 830 N CN 6X1 OSRAM	7W	3000K	12°	4052899044791	6
	OLUX LED IN-GROUND S 830 M CN 6X1 OSRAM			20°	4052899044838	6
	OLUX LED IN-GROUND S 830 W CN 6X1 OSRAM			30°	4052899044852	6
	OLUX LED IN-GROUND S 740 N CN 6X1 OSRAM		4000K	12°	4052899044876	6
	OLUX LED IN-GROUND S 740 M CN 6X1 OSRAM			20°	4052899044913	6
	OLUX LED IN-GROUND S 740 W CN 6X1 OSRAM			30°	4052899044937	6
	OLUX LED IN-GROUND S 757 N CN 6X1 OSRAM		5700K	12°	4052899044975	6
	OLUX LED IN-GROUND S 757 M CN 6X1 OSRAM			20°	4052899045019	6
	OLUX LED IN-GROUND S 757 W CN 6X1 OSRAM			30°	4052899045033	6
M	OLUX LED IN-GROUND M 830 N CN 4X1 OSRAM	12W	3000K	12°	4052899045057	4
	OLUX LED IN-GROUND M 830 M CN 4X1 OSRAM			20°	4052899045095	4
	OLUX LED IN-GROUND M 830 W CN 4X1 OSRAM			30°	4052899045118	4
	OLUX LED IN-GROUND M 740 N CN 4X1 OSRAM		4000K	12°	4052899045132	4
	OLUX LED IN-GROUND M 740 M CN 4X1 OSRAM			20°	4052899045170	4
	OLUX LED IN-GROUND M 740 W CN 4X1 OSRAM			30°	4052899045217	4
	OLUX LED IN-GROUND M 757 N CN 4X1 OSRAM		5700K	12°	4052899045231	4
	OLUX LED IN-GROUND M 757 M CN 4X1 OSRAM			20°	4052899045279	4
	OLUX LED IN-GROUND M 757 W CN 4X1 OSRAM			30°	4052899045293	4

SALES & TECHNICAL SUPPORT

OSRAM Asia Pacific

30/F, China Resources Building,
26 Harbour Road, Wanchai, Hong Kong
+852 3652 5678
www.osram.com

Sales and technical support is given by the local OSRAM subsidiaries. Complete subsidiary listing is available at OSRAM homepage.