

OLUX® LED WALL-RECESSED S



OLUX® LED WALL-RECESSED S is an economical choice of shielded asymmetric LED solution for recessed wall mounting. It is optimized for applications like step, path and corridor lighting; creating soft, comfortable and appealing light shades with well controlled glare. Strong die-casting housing and UV-stabilized cover provide good protections against dust and water ingress, impacts and plastic degradation. It is an ideal footlight solution for decorative and orientation purposes both outdoors and indoors.

BENEFITS

Product options

- 4W system power
- Two colour temperatures: warm white 3000K and neutral white 4000K
- 120lm

Good performance and reliable

- Long lifetime of 50,000hrs @ L70, 25°C
- IP65 protection and IK08 impact resistance
- UV-stabilized* polycarbonate cover
- High quality mid-power LEDs

Easy installation

- Integrated driver accepts 220-240V, 50/60Hz power input
- Fits into the standardized 86mm x86mm backboxes

Good optics

- Soft and even lights to create relaxed and appealing ambience in small areas.
- Asymmetric light distribution gives no glare feeling

APPLICATION REFERENCE

General landscape lighting

- Steps and step walls
- Pathways
- Building surrounds
- Orientation

Indoor and outdoor public areas

- Small entrance
- Corridor and balcony

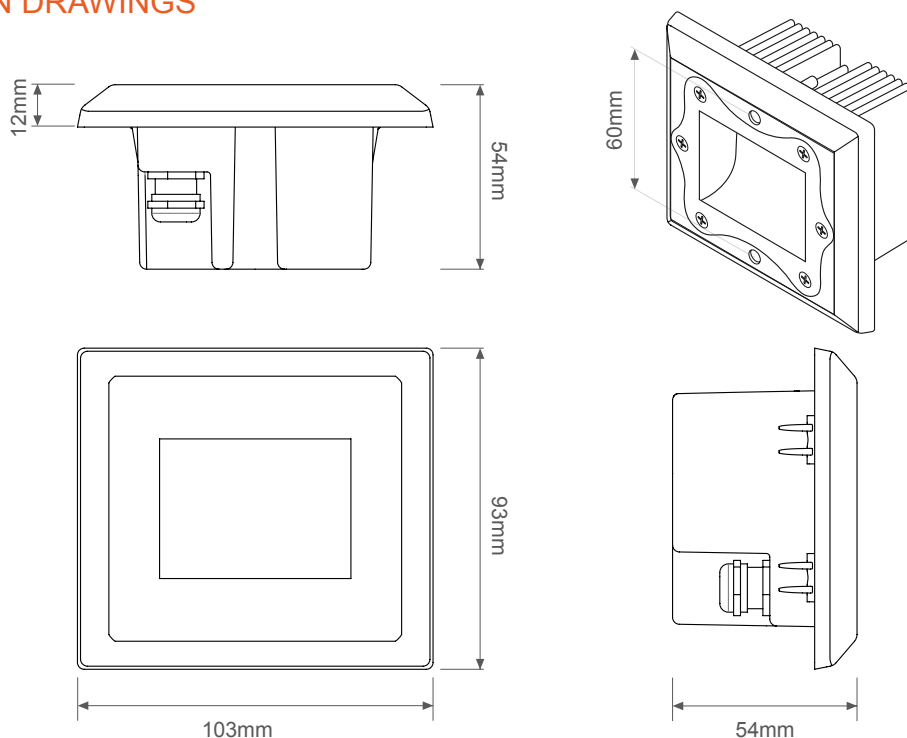
* The UV-stabilized polycarbonate (PC) is polycarbonate material with UV stabilizer. The UV stabilizer gives the substance protection against the degradation effects from the ultraviolet radiation and thus eases the cracking, hazing or yellowing process of polycarbonate when used outdoors in exposure to the sunlight.

SPECIFICATION

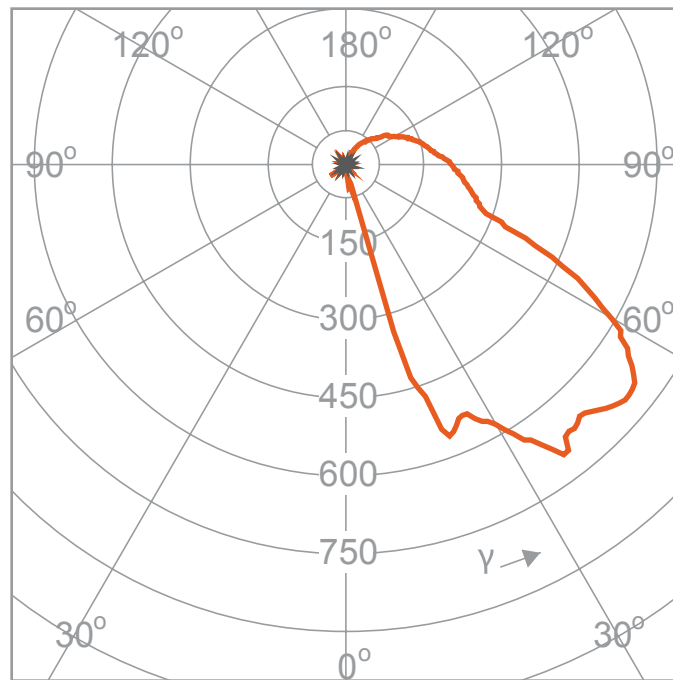
OLUX® LED WALL-RECESSED		S
Optical	Beam angle	Asymmetric, 60°
		warm white 3000K; neutral white 4000K
	Typical luminous flux	120lm
	Typical system efficacy	30lm/W
	CRI	>80
Electrical	Input voltage	220-240VAC, 50/60Hz
	Power consumption	4W±0.5W
	Power factor	>0.45
	ESD protection	contact 4kV, air 8kV
	Control	instant on/off, not dimmable
Mechanical	Classification	IP65, IK08, Class I
	Dimension	103mm×93mm×54mm
	Weight	0.4kg
	Mounting	wall recessed mount
Material	Housing	ADC12 Aluminium alloy. colour - RAL9005
	Optical cover	UV-stabilized polycarbonate. colour - Transparent
	Cover plate	polycarbonate. color - RAL9005
Thermal	Ambient	-25 ... 50°C
	Storage	-30 ... 85°C
	Lifetime	50,000hrs@L70, 25°C
Standard compliance		CE, CCC

* The typical data of technical parameters can only reflect statistical figures and do not necessarily correspond to the actual parameters of each single product. Actual lumen output can be varied due to many factors like lamp factor of LED, input current/voltage, thermal conditions, optical tolerance, and even measurement tolerance. Therefore the data above is for reference only. If customers have any specific demand on particular parameters, please contact OSRAM sales or marketing staff for advice.

DIMENSION DRAWINGS



POLAR DIAGRAMS



cd/1000lm

— 0.0-180.0° — 90.0-270.0°

OLUX LED WALL-RECESSED S

ORDERING CODE

Description	Housing colour	Wattage	CCT	Shipping unit	EAN
OLUX LED RECESSED S830	BLACK	4W	3000K	20	4052899204294
OLUX LED RECESSED S840	BLACK	4W	4000K	20	4052899204317