



SIMPLITZ Floodlight V3-General Datasheet



IK08 IP66

The SIMPLITZ Floodlight V3 General Edition is an affordable and reliable flood lighting solution. It features robust aluminum die-cast housing and high-strength tempered glass for durability. With power options from 50W to 300W, available symmetric and asymmetric lighting distributions, it can accommodate various lighting requirements in different scenarios, making it ideal for indoor and outdoor applications, including billboard lighting and area lighting.

Benefits

Balance performance and cost

- Power available from 50W to 300W
- Varied Symmetry / Asymmetry optical for flexible choice
- Efficacy up to 145 lm/W, energy-saving lighting
- Nearly flicker free, a comfortable lighting experience

High reliability

- Robust die-cast aluminum housing with tempered glass cover
- High protection ratings of IP66 and IK08
- 10KV independent surge protector
- Wide operating temperature range from -30°C to +50°C
- Ultra-Lumen Maintenance L70 – 50000 hours

Applications

- Facade and building illumination
- Area flood lighting
- Street cross area lighting
- Billboards lighting
- Logo illuminations
- Other public or industrial areas

SIMPLITZ Floodlight V3-General

Technical Data

Optical Specifications

Power	50W	70W	100W	150W	200W	240W	300W	
Luminous Flux*	3000K	6750 lm	9450 lm	13500 lm	20250 lm	27000 lm	32400 lm	40500 lm
	4000K	7000 lm	9800 lm	14000 lm	21000 lm	28000 lm	33600 lm	42000 lm
	5000K	7250 lm	10150 lm	14500 lm	21750 lm	29000 lm	34800 lm	43500 lm
	5700K	7250 lm	10150 lm	14500 lm	21750 lm	29000 lm	34800 lm	43500 lm
Efficacy	3000K	135 lm/W						
	4000K	140 lm/W						
	5000K	145 lm/W						
	5700K	145 lm/W						
CCT	3000K, 4000K, 5000K, 5700K, other on request							
CRI	>CRI70, other on request							
SDCM	<5							
Beam Angle	Symmetrical optical: NB (20°), MB(30°), UWB (60°), EWB (90°) Streetlight optical: SMB (Type II 150° x 70°) Asymmetrical optical: ASW (80° x 40°)							

*. The luminous flux is the average value, different models have a slight difference, please refer to the photometrics data.

Electrical and Mechanical Specifications

Input Voltage	220-240V~, 50/60Hz (Max 100-277V~, 50/60Hz)							
Power Consumption	50W	70W	100W	150W	200W	240W	300W	
Power Factor	>0.95							
Total Harmonic Distortion	≤10%							
Surge protection	Independent surge protection device, Line-to-line 10KV, line-to-ground 10KV							
Dimensions	Length	266mm	313mm	375mm	446mm		487mm	
	Width	198mm	275mm	285mm	345mm		393mm	
	Thickness	46mm	53mm	57mm	62mm		75mm	
Weight	1.5Kg	2.4Kg		3.5Kg	5.2Kg		6.8Kg	
Optical System	PC Lens + Tempered glass							
Housing	Die-casting aluminum							
Color	RAL9006 powder coating							
Pre-wired Cable	0.6 meter							

System Specifications

Main Input	220-240V~, 50/60Hz
Dimmable	On/Off, 1-10V Dimming
Mounting Type	Bracket installation, suitable for installation on the ground, wall, high mast, and other solid plane
Adjustable	-120° to +90°
Operating Temperature	-30°C to +50°C
Storage Temperature	-40°C to +80°C
Environment	IP66 / IK08, suitable for outdoor and indoor applications, Coastal Environment is on request
Lumen Maintenance	L70 - 50,000hrs
Warranty	5 years (Standard)
Safety Approval	Electrical Protection Class I, CB, CQC, Photobiological safety, RoHS

Due to the special conditions of manufacturing process of LED, the typical data of technical parameters can only reflect statistical figures and do not necessarily correspond to the actual parameters of each single product which could differ from typical data.

Exceeding maximum ratings for operation voltage will cause hazardous overload and will likely destroy the LED module.

Exceeding maximum ratings for operation and storage temperature will reduce expected life time or destroy the LED module.

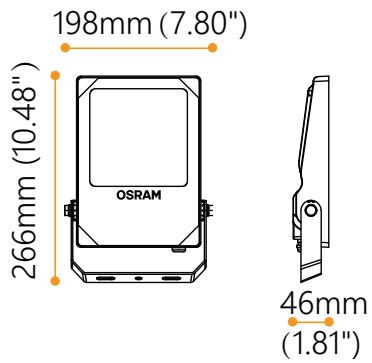
V1.0 11/23: Official authorized licensee of the OSRAM trademark.

Specifications are subject to change without notice. Errors and omission excepted, always make sure to use the most recent release.

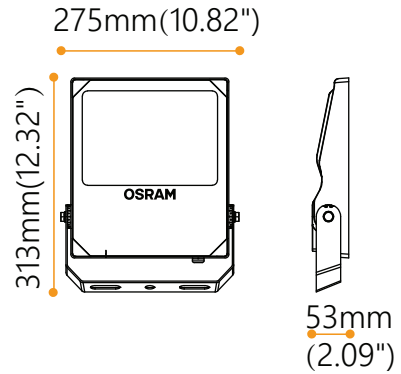
SIMPLITZ Floodlight V3-General

Dimension

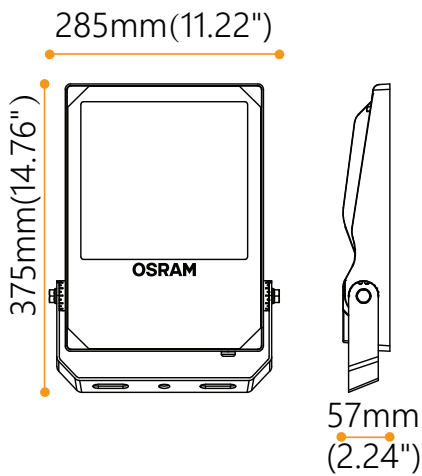
50W



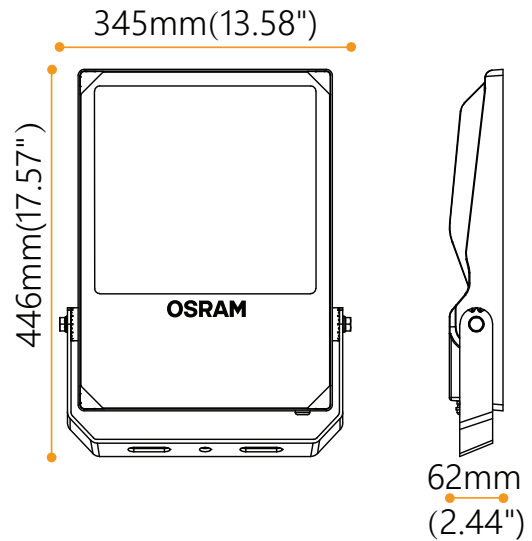
70W/100W



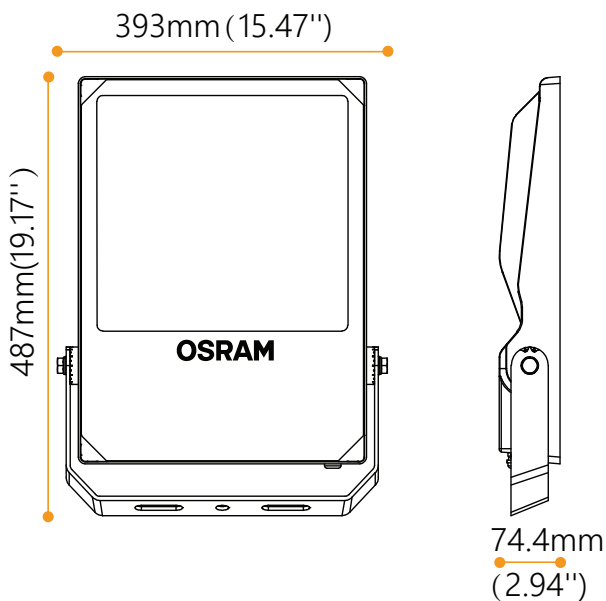
150W



200W/240W



300W

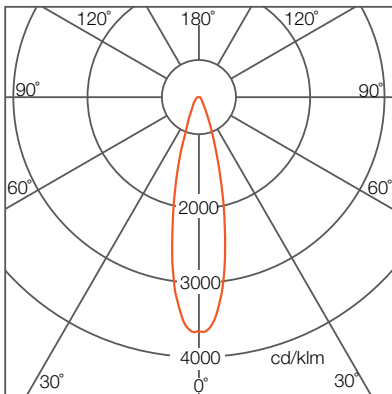


V1.0 11/23: Official authorized licensee of the OSRAM trademark. Specifications are subject to change without notice. Errors and omission excepted, always make sure to use the most recent release.

SIMPLITZ Floodlight V3-General

Photometrics

NB (20°)



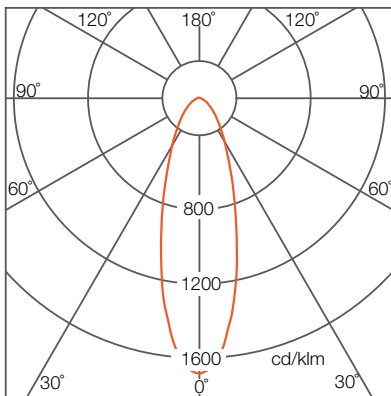
Illuminance at Distance

	Center Beam Lux/klm	Beam Width
1.0m	3513	0.44m
2.0m	878	0.88m
3.0m	390	1.32m
4.0m	220	1.76m
5.0m	141	2.20m
6.0m	98	2.64m

For feet multiply by 3.28

● Horiz. Spread: 24.8°
For fc divide by 10.7

MB (30°)

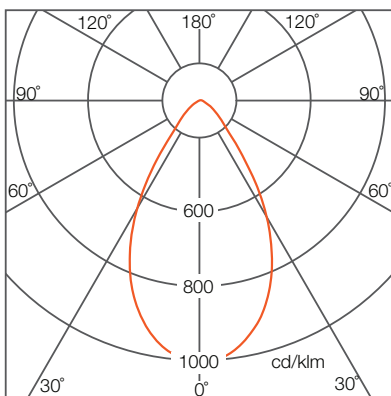


	Center Beam Lux/klm	Beam Width
1.0m	1750	0.57m
2.0m	438	1.13m
3.0m	194	1.70m
4.0m	109	2.26m
5.0m	70	2.83m
6.0m	49	3.40m

For feet multiply by 3.28

● Horiz. Spread: 31.6°
For fc divide by 10.7

UWB (60°)



	Center Beam Lux/klm	Beam Width
1.0m	1001	1.14m
2.0m	250	2.28m
3.0m	111	3.42m
4.0m	63	4.56m
5.0m	40	5.70m
6.0m	28	6.84m

For feet multiply by 3.28

● Horiz. Spread: 59.4°
For fc divide by 10.7

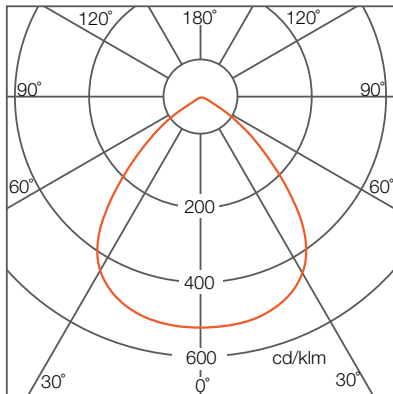
Due to the manufacturing processes of LED, the polar candela distribution and distance luminaries only reflect statistical figures and do not necessarily correspond to the actual parameters of individual product that may differ from the typical values.

V1.0 11/23: Official authorized licensee of the OSRAM trademark. Specifications are subject to change without notice. Errors and omission excepted, always make sure to use the most recent release.

SIMPLITZ Floodlight V3-General

Photometrics

EWB (90°)



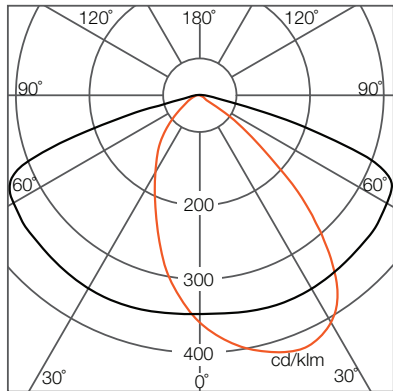
Illuminance at Distance

	Center Beam Lux/klm	Beam Width
1.0m	524	1.96m
2.0m	131	3.92m
3.0m	58	5.88m
4.0m	33	7.83m
5.0m	21	9.79m
6.0m	15	11.75m

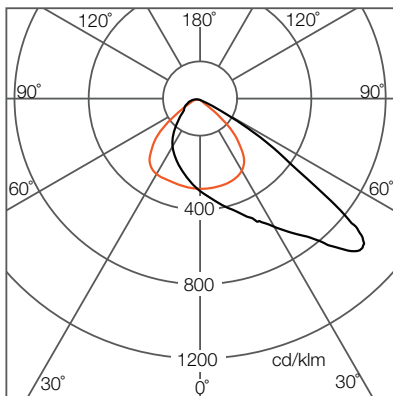
For feet multiply by 3.28

● Horiz. Spread: 88.8°
For fc divide by 10.7

SMB (Streetlight Type II)



ASW (80° x 40°)



Due to the manufacturing processes of LED, the polar candela distribution and distance luminaries only reflect statistical figures and do not necessarily correspond to the actual parameters of individual product that may differ from the typical values.

V1.0 11/23: Official authorized licensee of the OSRAM trademark.
Specifications are subject to change without notice. Errors and omission excepted, always make sure to use the most recent release.

SIMPLITZ Floodlight V3-General

Ordering Codes

Fixture - On/Off

Short Text	Power (W)	Control	CCT	Reference Beam Angle	Material
SIM FL V3G 50W 730 NB 8X1 OSRAM	50	On/Off	3000	20°	GL23100173955
SIM FL V3G 50W 740 NB 8X1 OSRAM	50	On/Off	4000	20°	GL23100174055
SIM FL V3G 50W 750 NB 8X1 OSRAM	50	On/Off	5000	20°	GL23100174155
SIM FL V3G 50W 757 NB 8X1 OSRAM	50	On/Off	5700	20°	GL23100174255
SIM FL V3G 50W 730 MB 8X1 OSRAM	50	On/Off	3000	30°	GL23100174355
SIM FL V3G 50W 740 MB 8X1 OSRAM	50	On/Off	4000	30°	GL23100174455
SIM FL V3G 50W 750 MB 8X1 OSRAM	50	On/Off	5000	30°	GL23100174555
SIM FL V3G 50W 757 MB 8X1 OSRAM	50	On/Off	5700	30°	GL23100174655
SIM FL V3G 50W 730 UWB 8X1 OSRAM	50	On/Off	3000	60°	GL23100174755
SIM FL V3G 50W 740 UWB 8X1 OSRAM	50	On/Off	4000	60°	GL23100174855
SIM FL V3G 50W 750 UWB 8X1 OSRAM	50	On/Off	5000	60°	GL23100174955
SIM FL V3G 50W 757 UWB 8X1 OSRAM	50	On/Off	5700	60°	GL23100175055
SIM FL V3G 50W 730 EWB 8X1 OSRAM	50	On/Off	3000	90°	GL23100175155
SIM FL V3G 50W 740 EWB 8X1 OSRAM	50	On/Off	4000	90°	GL23100175255
SIM FL V3G 50W 750 EWB 8X1 OSRAM	50	On/Off	5000	90°	GL23100175355
SIM FL V3G 50W 757 EWB 8X1 OSRAM	50	On/Off	5700	90°	GL23100175455
SIM FL V3G 50W 730 SMB 8X1 OSRAM	50	On/Off	3000	150°X70°	GL23100175555
SIM FL V3G 50W 740 SMB 8X1 OSRAM	50	On/Off	4000	150°X70°	GL23100175655
SIM FL V3G 50W 750 SMB 8X1 OSRAM	50	On/Off	5000	150°X70°	GL23100175755
SIM FL V3G 50W 757 SMB 8X1 OSRAM	50	On/Off	5700	150°X70°	GL23100175855
SIM FL V3G 50W 730 ASW 8X1 OSRAM	50	On/Off	3000	80°X40°	GL23100175955
SIM FL V3G 50W 740 ASW 8X1 OSRAM	50	On/Off	4000	80°X40°	GL23100176055
SIM FL V3G 50W 750 ASW 8X1 OSRAM	50	On/Off	5000	80°X40°	GL23100176155
SIM FL V3G 50W 757 ASW 8X1 OSRAM	50	On/Off	5700	80°X40°	GL23100176255
SIM FL V3G 70W 730 NB 6X1 OSRAM	70	On/Off	3000	20°	GL23100176355
SIM FL V3G 70W 740 NB 6X1 OSRAM	70	On/Off	4000	20°	GL23100176455
SIM FL V3G 70W 750 NB 6X1 OSRAM	70	On/Off	5000	20°	GL23100176555
SIM FL V3G 70W 757 NB 6X1 OSRAM	70	On/Off	5700	20°	GL23100176655
SIM FL V3G 70W 730 MB 6X1 OSRAM	70	On/Off	3000	30°	GL23100176755
SIM FL V3G 70W 740 MB 6X1 OSRAM	70	On/Off	4000	30°	GL23100176855
SIM FL V3G 70W 750 MB 6X1 OSRAM	70	On/Off	5000	30°	GL23100176955
SIM FL V3G 70W 757 MB 6X1 OSRAM	70	On/Off	5700	30°	GL23100177055
SIM FL V3G 70W 730 UWB 6X1 OSRAM	70	On/Off	3000	60°	GL23100177155
SIM FL V3G 70W 740 UWB 6X1 OSRAM	70	On/Off	4000	60°	GL23100177255
SIM FL V3G 70W 750 UWB 6X1 OSRAM	70	On/Off	5000	60°	GL23100177355
SIM FL V3G 70W 757 UWB 6X1 OSRAM	70	On/Off	5700	60°	GL23100177455
SIM FL V3G 70W 730 EWB 6X1 OSRAM	70	On/Off	3000	90°	GL23100177555
SIM FL V3G 70W 740 EWB 6X1 OSRAM	70	On/Off	4000	90°	GL23100177655
SIM FL V3G 70W 750 EWB 6X1 OSRAM	70	On/Off	5000	90°	GL23100177755
SIM FL V3G 70W 757 EWB 6X1 OSRAM	70	On/Off	5700	90°	GL23100177855
SIM FL V3G 70W 730 SMB 6X1 OSRAM	70	On/Off	3000	150°X70°	GL23100177955
SIM FL V3G 70W 740 SMB 6X1 OSRAM	70	On/Off	4000	150°X70°	GL23100178055
SIM FL V3G 70W 750 SMB 6X1 OSRAM	70	On/Off	5000	150°X70°	GL23100178155
SIM FL V3G 70W 757 SMB 6X1 OSRAM	70	On/Off	5700	150°X70°	GL23100178255
SIM FL V3G 70W 730 ASW 6X1 OSRAM	70	On/Off	3000	80°X40°	GL23100178355
SIM FL V3G 70W 740 ASW 6X1 OSRAM	70	On/Off	4000	80°X40°	GL23100178455
SIM FL V3G 70W 750 ASW 6X1 OSRAM	70	On/Off	5000	80°X40°	GL23100178555
SIM FL V3G 70W 757 ASW 6X1 OSRAM	70	On/Off	5700	80°X40°	GL23100178655

V1.0 11/23: Official authorized licensee of the OSRAM trademark.
Specifications are subject to change without notice. Errors and omission excepted, always make sure to use the most recent release.

SIMPLITZ Floodlight V3-General

Ordering Codes

Fixture - On/Off

Short Text	Power (W)	Control	CCT	Reference Beam Angle	Material
SIM FL V3G 100W 730 NB 6X1 OSRAM	100	On/Off	3000	20°	GL23100178755
SIM FL V3G 100W 740 NB 6X1 OSRAM	100	On/Off	4000	20°	GL23100178855
SIM FL V3G 100W 750 NB 6X1 OSRAM	100	On/Off	5000	20°	GL23100178955
SIM FL V3G 100W 757 NB 6X1 OSRAM	100	On/Off	5700	20°	GL23100179055
SIM FL V3G 100W 730 MB 6X1 OSRAM	100	On/Off	3000	30°	GL23100179155
SIM FL V3G 100W 740 MB 6X1 OSRAM	100	On/Off	4000	30°	GL23100179255
SIM FL V3G 100W 750 MB 6X1 OSRAM	100	On/Off	5000	30°	GL23100179355
SIM FL V3G 100W 757 MB 6X1 OSRAM	100	On/Off	5700	30°	GL23100179455
SIM FL V3G 100W 730 UWB 6X1 OSRAM	100	On/Off	3000	60°	GL23100179555
SIM FL V3G 100W 740 UWB 6X1 OSRAM	100	On/Off	4000	60°	GL23100179655
SIM FL V3G 100W 750 UWB 6X1 OSRAM	100	On/Off	5000	60°	GL23100179755
SIM FL V3G 100W 757 UWB 6X1 OSRAM	100	On/Off	5700	60°	GL23100179855
SIM FL V3G 100W 730 EWB 6X1 OSRAM	100	On/Off	3000	90°	GL23100179955
SIM FL V3G 100W 740 EWB 6X1 OSRAM	100	On/Off	4000	90°	GL23100180055
SIM FL V3G 100W 750 EWB 6X1 OSRAM	100	On/Off	5000	90°	GL23100180155
SIM FL V3G 100W 757 EWB 6X1 OSRAM	100	On/Off	5700	90°	GL23100180255
SIM FL V3G 100W 730 SMB 6X1 OSRAM	100	On/Off	3000	150°X70°	GL23100180355
SIM FL V3G 100W 740 SMB 6X1 OSRAM	100	On/Off	4000	150°X70°	GL23100180455
SIM FL V3G 100W 750 SMB 6X1 OSRAM	100	On/Off	5000	150°X70°	GL23100180555
SIM FL V3G 100W 757 SMB 6X1 OSRAM	100	On/Off	5700	150°X70°	GL23100180655
SIM FL V3G 100W 730 ASW 6X1 OSRAM	100	On/Off	3000	80°X40°	GL23100180755
SIM FL V3G 100W 740 ASW 6X1 OSRAM	100	On/Off	4000	80°X40°	GL23100180855
SIM FL V3G 100W 750 ASW 6X1 OSRAM	100	On/Off	5000	80°X40°	GL23100180955
SIM FL V3G 100W 757 ASW 6X1 OSRAM	100	On/Off	5700	80°X40°	GL23100181055
SIM FL V3G 150W 730 NB 4X1 OSRAM	150	On/Off	3000	20°	GL23100181155
SIM FL V3G 150W 740 NB 4X1 OSRAM	150	On/Off	4000	20°	GL23100181255
SIM FL V3G 150W 750 NB 4X1 OSRAM	150	On/Off	5000	20°	GL23100181355
SIM FL V3G 150W 757 NB 4X1 OSRAM	150	On/Off	5700	20°	GL23100181455
SIM FL V3G 150W 730 MB 4X1 OSRAM	150	On/Off	3000	30°	GL23100181555
SIM FL V3G 150W 740 MB 4X1 OSRAM	150	On/Off	4000	30°	GL23100181655
SIM FL V3G 150W 750 MB 4X1 OSRAM	150	On/Off	5000	30°	GL23100181755
SIM FL V3G 150W 757 MB 4X1 OSRAM	150	On/Off	5700	30°	GL23100181855
SIM FL V3G 150W 730 UWB 4X1 OSRAM	150	On/Off	3000	60°	GL23100181955
SIM FL V3G 150W 740 UWB 4X1 OSRAM	150	On/Off	4000	60°	GL23100182055
SIM FL V3G 150W 750 UWB 4X1 OSRAM	150	On/Off	5000	60°	GL23100182155
SIM FL V3G 150W 757 UWB 4X1 OSRAM	150	On/Off	5700	60°	GL23100182255
SIM FL V3G 150W 730 EWB 4X1 OSRAM	150	On/Off	3000	90°	GL23100182355
SIM FL V3G 150W 740 EWB 4X1 OSRAM	150	On/Off	4000	90°	GL23100182455
SIM FL V3G 150W 750 EWB 4X1 OSRAM	150	On/Off	5000	90°	GL23100182555
SIM FL V3G 150W 757 EWB 4X1 OSRAM	150	On/Off	5700	90°	GL23100182655
SIM FL V3G 150W 730 SMB 4X1 OSRAM	150	On/Off	3000	150°X70°	GL23100182755
SIM FL V3G 150W 740 SMB 4X1 OSRAM	150	On/Off	4000	150°X70°	GL23100182855
SIM FL V3G 150W 750 SMB 4X1 OSRAM	150	On/Off	5000	150°X70°	GL23100182955
SIM FL V3G 150W 757 SMB 4X1 OSRAM	150	On/Off	5700	150°X70°	GL23100183055
SIM FL V3G 150W 730 ASW 4X1 OSRAM	150	On/Off	3000	80°X40°	GL23100183155
SIM FL V3G 150W 740 ASW 4X1 OSRAM	150	On/Off	4000	80°X40°	GL23100183255
SIM FL V3G 150W 750 ASW 4X1 OSRAM	150	On/Off	5000	80°X40°	GL23100183355
SIM FL V3G 150W 757 ASW 4X1 OSRAM	150	On/Off	5700	80°X40°	GL23100183455

V1.0 11/23: Official authorized licensee of the OSRAM trademark.
Specifications are subject to change without notice. Errors and omission excepted, always make sure to use the most recent release.

SIMPLITZ Floodlight V3-General

Ordering Codes

Fixture - On/Off

Short Text	Power (W)	Control	CCT	Reference Beam Angle	Material
SIM FL V3G 200W 730 NB 2X1 OSRAM	200	On/Off	3000	20°	GL23100183555
SIM FL V3G 200W 740 NB 2X1 OSRAM	200	On/Off	4000	20°	GL23100183655
SIM FL V3G 200W 750 NB 2X1 OSRAM	200	On/Off	5000	20°	GL23100183755
SIM FL V3G 200W 757 NB 2X1 OSRAM	200	On/Off	5700	20°	GL23100183855
SIM FL V3G 200W 730 MB 2X1 OSRAM	200	On/Off	3000	30°	GL23100183955
SIM FL V3G 200W 740 MB 2X1 OSRAM	200	On/Off	4000	30°	GL23100184055
SIM FL V3G 200W 750 MB 2X1 OSRAM	200	On/Off	5000	30°	GL23100184155
SIM FL V3G 200W 757 MB 2X1 OSRAM	200	On/Off	5700	30°	GL23100184255
SIM FL V3G 200W 730 UWB 2X1 OSRAM	200	On/Off	3000	60°	GL23100184355
SIM FL V3G 200W 740 UWB 2X1 OSRAM	200	On/Off	4000	60°	GL23100184455
SIM FL V3G 200W 750 UWB 2X1 OSRAM	200	On/Off	5000	60°	GL23100184555
SIM FL V3G 200W 757 UWB 2X1 OSRAM	200	On/Off	5700	60°	GL23100184655
SIM FL V3G 200W 730 EWB 2X1 OSRAM	200	On/Off	3000	90°	GL23100184755
SIM FL V3G 200W 740 EWB 2X1 OSRAM	200	On/Off	4000	90°	GL23100184855
SIM FL V3G 200W 750 EWB 2X1 OSRAM	200	On/Off	5000	90°	GL23100184955
SIM FL V3G 200W 757 EWB 2X1 OSRAM	200	On/Off	5700	90°	GL23100185055
SIM FL V3G 200W 730 SMB 2X1 OSRAM	200	On/Off	3000	150°X70°	GL23100185155
SIM FL V3G 200W 740 SMB 2X1 OSRAM	200	On/Off	4000	150°X70°	GL23100185255
SIM FL V3G 200W 750 SMB 2X1 OSRAM	200	On/Off	5000	150°X70°	GL23100185355
SIM FL V3G 200W 757 SMB 2X1 OSRAM	200	On/Off	5700	150°X70°	GL23100185455
SIM FL V3G 200W 730 ASW 2X1 OSRAM	200	On/Off	3000	80°X40°	GL23100185555
SIM FL V3G 200W 740 ASW 2X1 OSRAM	200	On/Off	4000	80°X40°	GL23100185655
SIM FL V3G 200W 750 ASW 2X1 OSRAM	200	On/Off	5000	80°X40°	GL23100185755
SIM FL V3G 200W 757 ASW 2X1 OSRAM	200	On/Off	5700	80°X40°	GL23100185855
SIM FL V3G 240W 730 NB 2X1 OSRAM	240	On/Off	3000	20°	GL23100185955
SIM FL V3G 240W 740 NB 2X1 OSRAM	240	On/Off	4000	20°	GL23100186055
SIM FL V3G 240W 750 NB 2X1 OSRAM	240	On/Off	5000	20°	GL23100186155
SIM FL V3G 240W 757 NB 2X1 OSRAM	240	On/Off	5700	20°	GL23100186255
SIM FL V3G 240W 730 MB 2X1 OSRAM	240	On/Off	3000	30°	GL23100186355
SIM FL V3G 240W 740 MB 2X1 OSRAM	240	On/Off	4000	30°	GL23100186455
SIM FL V3G 240W 750 MB 2X1 OSRAM	240	On/Off	5000	30°	GL23100186555
SIM FL V3G 240W 757 MB 2X1 OSRAM	240	On/Off	5700	30°	GL23100186655
SIM FL V3G 240W 730 UWB 2X1 OSRAM	240	On/Off	3000	60°	GL23100186755
SIM FL V3G 240W 740 UWB 2X1 OSRAM	240	On/Off	4000	60°	GL23100186855
SIM FL V3G 240W 750 UWB 2X1 OSRAM	240	On/Off	5000	60°	GL23100186955
SIM FL V3G 240W 757 UWB 2X1 OSRAM	240	On/Off	5700	60°	GL23100187055
SIM FL V3G 240W 730 EWB 2X1 OSRAM	240	On/Off	3000	90°	GL23100187155
SIM FL V3G 240W 740 EWB 2X1 OSRAM	240	On/Off	4000	90°	GL23100187255
SIM FL V3G 240W 750 EWB 2X1 OSRAM	240	On/Off	5000	90°	GL23100187355
SIM FL V3G 240W 757 EWB 2X1 OSRAM	240	On/Off	5700	90°	GL23100187455
SIM FL V3G 240W 730 SMB 2X1 OSRAM	240	On/Off	3000	150°X70°	GL23100187555
SIM FL V3G 240W 740 SMB 2X1 OSRAM	240	On/Off	4000	150°X70°	GL23100187655
SIM FL V3G 240W 750 SMB 2X1 OSRAM	240	On/Off	5000	150°X70°	GL23100187755
SIM FL V3G 240W 757 SMB 2X1 OSRAM	240	On/Off	5700	150°X70°	GL23100187855
SIM FL V3G 240W 730 ASW 2X1 OSRAM	240	On/Off	3000	80°X40°	GL23100187955
SIM FL V3G 240W 740 ASW 2X1 OSRAM	240	On/Off	4000	80°X40°	GL23100188055
SIM FL V3G 240W 750 ASW 2X1 OSRAM	240	On/Off	5000	80°X40°	GL23100188155
SIM FL V3G 240W 757 ASW 2X1 OSRAM	240	On/Off	5700	80°X40°	GL23100188255

V1.0 11/23: Official authorized licensee of the OSRAM trademark.
Specifications are subject to change without notice. Errors and omission excepted, always make sure to use the most recent release.

SIMPLITZ Floodlight V3-General

Ordering Codes

Fixture - On/Off

Short Text	Power (W)	Control	CCT	Reference Beam Angle	Material
SIM FL V3G 300W 730 NB 2X1 OSRAM	300	On/Off	3000	20°	GL23100188355
SIM FL V3G 300W 740 NB 2X1 OSRAM	300	On/Off	4000	20°	GL23100188455
SIM FL V3G 300W 750 NB 2X1 OSRAM	300	On/Off	5000	20°	GL23100188555
SIM FL V3G 300W 757 NB 2X1 OSRAM	300	On/Off	5700	20°	GL23100188655
SIM FL V3G 300W 730 MB 2X1 OSRAM	300	On/Off	3000	30°	GL23100188755
SIM FL V3G 300W 740 MB 2X1 OSRAM	300	On/Off	4000	30°	GL23100188855
SIM FL V3G 300W 750 MB 2X1 OSRAM	300	On/Off	5000	30°	GL23100188955
SIM FL V3G 300W 757 MB 2X1 OSRAM	300	On/Off	5700	30°	GL23100189055
SIM FL V3G 300W 730 UWB 2X1 OSRAM	300	On/Off	3000	60°	GL23100189155
SIM FL V3G 300W 740 UWB 2X1 OSRAM	300	On/Off	4000	60°	GL23100189255
SIM FL V3G 300W 750 UWB 2X1 OSRAM	300	On/Off	5000	60°	GL23100189355
SIM FL V3G 300W 757 UWB 2X1 OSRAM	300	On/Off	5700	60°	GL23100189455
SIM FL V3G 300W 730 EWB 2X1 OSRAM	300	On/Off	3000	90°	GL23100189555
SIM FL V3G 300W 740 EWB 2X1 OSRAM	300	On/Off	4000	90°	GL23100189655
SIM FL V3G 300W 750 EWB 2X1 OSRAM	300	On/Off	5000	90°	GL23100189755
SIM FL V3G 300W 757 EWB 2X1 OSRAM	300	On/Off	5700	90°	GL23100189855
SIM FL V3G 300W 730 SMB 2X1 OSRAM	300	On/Off	3000	150°X70°	GL23100189955
SIM FL V3G 300W 740 SMB 2X1 OSRAM	300	On/Off	4000	150°X70°	GL23100190055
SIM FL V3G 300W 750 SMB 2X1 OSRAM	300	On/Off	5000	150°X70°	GL23100190155
SIM FL V3G 300W 757 SMB 2X1 OSRAM	300	On/Off	5700	150°X70°	GL23100190255
SIM FL V3G 300W 730 ASW 2X1 OSRAM	300	On/Off	3000	80°X40°	GL23100190355
SIM FL V3G 300W 740 ASW 2X1 OSRAM	300	On/Off	4000	80°X40°	GL23100190455
SIM FL V3G 300W 750 ASW 2X1 OSRAM	300	On/Off	5000	80°X40°	GL23100190555
SIM FL V3G 300W 757 ASW 2X1 OSRAM	300	On/Off	5700	80°X40°	GL23100190655

SIMPLITZ Floodlight V3-General

Ordering Codes

Fixture - 1-10V Dimming

Short Text	Power (W)	Control	CCT	Reference Beam Angle	Material
SIM FL V3G 50W 730 NB DIM 8X1 OSRAM	50	1-10V Dimming	3000	20°	GL23100190755
SIM FL V3G 50W 740 NB DIM 8X1 OSRAM	50	1-10V Dimming	4000	20°	GL23100190855
SIM FL V3G 50W 750 NB DIM 8X1 OSRAM	50	1-10V Dimming	5000	20°	GL23100190955
SIM FL V3G 50W 757 NB DIM 8X1 OSRAM	50	1-10V Dimming	5700	20°	GL23100191055
SIM FL V3G 50W 730 MB DIM 8X1 OSRAM	50	1-10V Dimming	3000	30°	GL23100191155
SIM FL V3G 50W 740 MB DIM 8X1 OSRAM	50	1-10V Dimming	4000	30°	GL23100191255
SIM FL V3G 50W 750 MB DIM 8X1 OSRAM	50	1-10V Dimming	5000	30°	GL23100191355
SIM FL V3G 50W 757 MB DIM 8X1 OSRAM	50	1-10V Dimming	5700	30°	GL23100191455
SIM FL V3G 50W 730 UWB DIM 8X1 OSRAM	50	1-10V Dimming	3000	60°	GL23100191555
SIM FL V3G 50W 740 UWB DIM 8X1 OSRAM	50	1-10V Dimming	4000	60°	GL23100191655
SIM FL V3G 50W 750 UWB DIM 8X1 OSRAM	50	1-10V Dimming	5000	60°	GL23100191755
SIM FL V3G 50W 757 UWB DIM 8X1 OSRAM	50	1-10V Dimming	5700	60°	GL23100191855
SIM FL V3G 50W 730 EWB DIM 8X1 OSRAM	50	1-10V Dimming	3000	90°	GL23100191955
SIM FL V3G 50W 740 EWB DIM 8X1 OSRAM	50	1-10V Dimming	4000	90°	GL23100192055
SIM FL V3G 50W 750 EWB DIM 8X1 OSRAM	50	1-10V Dimming	5000	90°	GL23100192155
SIM FL V3G 50W 757 EWB DIM 8X1 OSRAM	50	1-10V Dimming	5700	90°	GL23100192255
SIM FL V3G 50W 730 SMB DIM 8X1 OSRAM	50	1-10V Dimming	3000	150°X70°	GL23100192355
SIM FL V3G 50W 740 SMB DIM 8X1 OSRAM	50	1-10V Dimming	4000	150°X70°	GL23100192455
SIM FL V3G 50W 750 SMB DIM 8X1 OSRAM	50	1-10V Dimming	5000	150°X70°	GL23100192555
SIM FL V3G 50W 757 SMB DIM 8X1 OSRAM	50	1-10V Dimming	5700	150°X70°	GL23100192655
SIM FL V3G 50W 730 ASW DIM 8X1 OSRAM	50	1-10V Dimming	3000	80°X40°	GL23100192755
SIM FL V3G 50W 740 ASW DIM 8X1 OSRAM	50	1-10V Dimming	4000	80°X40°	GL23100192855
SIM FL V3G 50W 750 ASW DIM 8X1 OSRAM	50	1-10V Dimming	5000	80°X40°	GL23100192955
SIM FL V3G 50W 757 ASW DIM 8X1 OSRAM	50	1-10V Dimming	5700	80°X40°	GL23100193055
SIM FL V3G 70W 730 NB DIM 6X1 OSRAM	70	1-10V Dimming	3000	20°	GL23100193155
SIM FL V3G 70W 740 NB DIM 6X1 OSRAM	70	1-10V Dimming	4000	20°	GL23100193255
SIM FL V3G 70W 750 NB DIM 6X1 OSRAM	70	1-10V Dimming	5000	20°	GL23100193355
SIM FL V3G 70W 757 NB DIM 6X1 OSRAM	70	1-10V Dimming	5700	20°	GL23100193455
SIM FL V3G 70W 730 MB DIM 6X1 OSRAM	70	1-10V Dimming	3000	30°	GL23100193555
SIM FL V3G 70W 740 MB DIM 6X1 OSRAM	70	1-10V Dimming	4000	30°	GL23100193655
SIM FL V3G 70W 750 MB DIM 6X1 OSRAM	70	1-10V Dimming	5000	30°	GL23100193755
SIM FL V3G 70W 757 MB DIM 6X1 OSRAM	70	1-10V Dimming	5700	30°	GL23100193855
SIM FL V3G 70W 730 UWB DIM 6X1 OSRAM	70	1-10V Dimming	3000	60°	GL23100193955
SIM FL V3G 70W 740 UWB DIM 6X1 OSRAM	70	1-10V Dimming	4000	60°	GL23100194055
SIM FL V3G 70W 750 UWB DIM 6X1 OSRAM	70	1-10V Dimming	5000	60°	GL23100194155
SIM FL V3G 70W 757 UWB DIM 6X1 OSRAM	70	1-10V Dimming	5700	60°	GL23100194255
SIM FL V3G 70W 730 EWB DIM 6X1 OSRAM	70	1-10V Dimming	3000	90°	GL23100194355
SIM FL V3G 70W 740 EWB DIM 6X1 OSRAM	70	1-10V Dimming	4000	90°	GL23100194455
SIM FL V3G 70W 750 EWB DIM 6X1 OSRAM	70	1-10V Dimming	5000	90°	GL23100194555
SIM FL V3G 70W 757 EWB DIM 6X1 OSRAM	70	1-10V Dimming	5700	90°	GL23100194655
SIM FL V3G 70W 730 SMB DIM 6X1 OSRAM	70	1-10V Dimming	3000	150°X70°	GL23100194755
SIM FL V3G 70W 740 SMB DIM 6X1 OSRAM	70	1-10V Dimming	4000	150°X70°	GL23100194855
SIM FL V3G 70W 750 SMB DIM 6X1 OSRAM	70	1-10V Dimming	5000	150°X70°	GL23100194955
SIM FL V3G 70W 757 SMB DIM 6X1 OSRAM	70	1-10V Dimming	5700	150°X70°	GL23100195055
SIM FL V3G 70W 730 ASW DIM 6X1 OSRAM	70	1-10V Dimming	3000	80°X40°	GL23100195155
SIM FL V3G 70W 740 ASW DIM 6X1 OSRAM	70	1-10V Dimming	4000	80°X40°	GL23100195255
SIM FL V3G 70W 750 ASW DIM 6X1 OSRAM	70	1-10V Dimming	5000	80°X40°	GL23100195355
SIM FL V3G 70W 757 ASW DIM 6X1 OSRAM	70	1-10V Dimming	5700	80°X40°	GL23100195455

V1.0 11/23: Official authorized licensee of the OSRAM trademark.
Specifications are subject to change without notice. Errors and omission excepted, always make sure to use the most recent release.

SIMPLITZ Floodlight V3-General

Ordering Codes

Fixture - 1-10V Dimming

Short Text	Power (W)	Control	CCT	Reference Beam Angle	Material
SIM FL V3G 100W 730 NB DIM 6X1 OSRAM	100	1-10V Dimming	3000	20°	GL23100195555
SIM FL V3G 100W 740 NB DIM 6X1 OSRAM	100	1-10V Dimming	4000	20°	GL23100195655
SIM FL V3G 100W 750 NB DIM 6X1 OSRAM	100	1-10V Dimming	5000	20°	GL23100195755
SIM FL V3G 100W 757 NB DIM 6X1 OSRAM	100	1-10V Dimming	5700	20°	GL23100195855
SIM FL V3G 100W 730 MB DIM 6X1 OSRAM	100	1-10V Dimming	3000	30°	GL23100195955
SIM FL V3G 100W 740 MB DIM 6X1 OSRAM	100	1-10V Dimming	4000	30°	GL23100196055
SIM FL V3G 100W 750 MB DIM 6X1 OSRAM	100	1-10V Dimming	5000	30°	GL23100196155
SIM FL V3G 100W 757 MB DIM 6X1 OSRAM	100	1-10V Dimming	5700	30°	GL23100196255
SIM FL V3G 100W 730 UWB DIM 6X1 OSRAM	100	1-10V Dimming	3000	60°	GL23100196355
SIM FL V3G 100W 740 UWB DIM 6X1 OSRAM	100	1-10V Dimming	4000	60°	GL23100196455
SIM FL V3G 100W 750 UWB DIM 6X1 OSRAM	100	1-10V Dimming	5000	60°	GL23100196555
SIM FL V3G 100W 757 UWB DIM 6X1 OSRAM	100	1-10V Dimming	5700	60°	GL23100196655
SIM FL V3G 100W 730 EWB DIM 6X1 OSRAM	100	1-10V Dimming	3000	90°	GL23100196755
SIM FL V3G 100W 740 EWB DIM 6X1 OSRAM	100	1-10V Dimming	4000	90°	GL23100196855
SIM FL V3G 100W 750 EWB DIM 6X1 OSRAM	100	1-10V Dimming	5000	90°	GL23100196955
SIM FL V3G 100W 757 EWB DIM 6X1 OSRAM	100	1-10V Dimming	5700	90°	GL23100197055
SIM FL V3G 100W 730 SMB DIM 6X1 OSRAM	100	1-10V Dimming	3000	150°X70°	GL23100197155
SIM FL V3G 100W 740 SMB DIM 6X1 OSRAM	100	1-10V Dimming	4000	150°X70°	GL23100197255
SIM FL V3G 100W 750 SMB DIM 6X1 OSRAM	100	1-10V Dimming	5000	150°X70°	GL23100197355
SIM FL V3G 100W 757 SMB DIM 6X1 OSRAM	100	1-10V Dimming	5700	150°X70°	GL23100197455
SIM FL V3G 100W 730 ASW DIM 6X1 OSRAM	100	1-10V Dimming	3000	80°X40°	GL23100197555
SIM FL V3G 100W 740 ASW DIM 6X1 OSRAM	100	1-10V Dimming	4000	80°X40°	GL23100197655
SIM FL V3G 100W 750 ASW DIM 6X1 OSRAM	100	1-10V Dimming	5000	80°X40°	GL23100197755
SIM FL V3G 100W 757 ASW DIM 6X1 OSRAM	100	1-10V Dimming	5700	80°X40°	GL23100197855
SIM FL V3G 150W 730 NB DIM 4X1 OSRAM	150	1-10V Dimming	3000	20°	GL23100197955
SIM FL V3G 150W 740 NB DIM 4X1 OSRAM	150	1-10V Dimming	4000	20°	GL23100198055
SIM FL V3G 150W 750 NB DIM 4X1 OSRAM	150	1-10V Dimming	5000	20°	GL23100198155
SIM FL V3G 150W 757 NB DIM 4X1 OSRAM	150	1-10V Dimming	5700	20°	GL23100198255
SIM FL V3G 150W 730 MB DIM 4X1 OSRAM	150	1-10V Dimming	3000	30°	GL23100198355
SIM FL V3G 150W 740 MB DIM 4X1 OSRAM	150	1-10V Dimming	4000	30°	GL23100198455
SIM FL V3G 150W 750 MB DIM 4X1 OSRAM	150	1-10V Dimming	5000	30°	GL23100198555
SIM FL V3G 150W 757 MB DIM 4X1 OSRAM	150	1-10V Dimming	5700	30°	GL23100198655
SIM FL V3G 150W 730 UWB DIM 4X1 OSRAM	150	1-10V Dimming	3000	60°	GL23100198755
SIM FL V3G 150W 740 UWB DIM 4X1 OSRAM	150	1-10V Dimming	4000	60°	GL23100198855
SIM FL V3G 150W 750 UWB DIM 4X1 OSRAM	150	1-10V Dimming	5000	60°	GL23100198955
SIM FL V3G 150W 757 UWB DIM 4X1 OSRAM	150	1-10V Dimming	5700	60°	GL23100199055
SIM FL V3G 150W 730 EWB DIM 4X1 OSRAM	150	1-10V Dimming	3000	90°	GL23100199155
SIM FL V3G 150W 740 EWB DIM 4X1 OSRAM	150	1-10V Dimming	4000	90°	GL23100199255
SIM FL V3G 150W 750 EWB DIM 4X1 OSRAM	150	1-10V Dimming	5000	90°	GL23100199355
SIM FL V3G 150W 757 EWB DIM 4X1 OSRAM	150	1-10V Dimming	5700	90°	GL23100199455
SIM FL V3G 150W 730 SMB DIM 4X1 OSRAM	150	1-10V Dimming	3000	150°X70°	GL23100199555
SIM FL V3G 150W 740 SMB DIM 4X1 OSRAM	150	1-10V Dimming	4000	150°X70°	GL23100199655
SIM FL V3G 150W 750 SMB DIM 4X1 OSRAM	150	1-10V Dimming	5000	150°X70°	GL23100199755
SIM FL V3G 150W 757 SMB DIM 4X1 OSRAM	150	1-10V Dimming	5700	150°X70°	GL23100199855
SIM FL V3G 150W 730 ASW DIM 4X1 OSRAM	150	1-10V Dimming	3000	80°X40°	GL23100199955
SIM FL V3G 150W 740 ASW DIM 4X1 OSRAM	150	1-10V Dimming	4000	80°X40°	GL23100200055
SIM FL V3G 150W 750 ASW DIM 4X1 OSRAM	150	1-10V Dimming	5000	80°X40°	GL23100200155
SIM FL V3G 150W 757 ASW DIM 4X1 OSRAM	150	1-10V Dimming	5700	80°X40°	GL23100200255

V1.0 11/23: Official authorized licensee of the OSRAM trademark.
Specifications are subject to change without notice. Errors and omission excepted, always make sure to use the most recent release.

SIMPLITZ Floodlight V3-General

Ordering Codes

Fixture - 1-10V Dimming

Short Text	Power (W)	Control	CCT	Reference Beam Angle	Material
SIM FL V3G 200W 730 NB DIM 2X1 OSRAM	200	1-10V Dimming	3000	20°	GL23100200355
SIM FL V3G 200W 740 NB DIM 2X1 OSRAM	200	1-10V Dimming	4000	20°	GL23100200455
SIM FL V3G 200W 750 NB DIM 2X1 OSRAM	200	1-10V Dimming	5000	20°	GL23100200555
SIM FL V3G 200W 757 NB DIM 2X1 OSRAM	200	1-10V Dimming	5700	20°	GL23100200655
SIM FL V3G 200W 730 MB DIM 2X1 OSRAM	200	1-10V Dimming	3000	30°	GL23100200755
SIM FL V3G 200W 740 MB DIM 2X1 OSRAM	200	1-10V Dimming	4000	30°	GL23100200855
SIM FL V3G 200W 750 MB DIM 2X1 OSRAM	200	1-10V Dimming	5000	30°	GL23100200955
SIM FL V3G 200W 757 MB DIM 2X1 OSRAM	200	1-10V Dimming	5700	30°	GL23100201055
SIM FL V3G 200W 730 UWB DIM 2X1 OSRAM	200	1-10V Dimming	3000	60°	GL23100201155
SIM FL V3G 200W 740 UWB DIM 2X1 OSRAM	200	1-10V Dimming	4000	60°	GL23100201255
SIM FL V3G 200W 750 UWB DIM 2X1 OSRAM	200	1-10V Dimming	5000	60°	GL23100201355
SIM FL V3G 200W 757 UWB DIM 2X1 OSRAM	200	1-10V Dimming	5700	60°	GL23100201455
SIM FL V3G 200W 730 EWB DIM 2X1 OSRAM	200	1-10V Dimming	3000	90°	GL23100201555
SIM FL V3G 200W 740 EWB DIM 2X1 OSRAM	200	1-10V Dimming	4000	90°	GL23100201655
SIM FL V3G 200W 750 EWB DIM 2X1 OSRAM	200	1-10V Dimming	5000	90°	GL23100201755
SIM FL V3G 200W 757 EWB DIM 2X1 OSRAM	200	1-10V Dimming	5700	90°	GL23100201855
SIM FL V3G 200W 730 SMB DIM 2X1 OSRAM	200	1-10V Dimming	3000	150°X70°	GL23100201955
SIM FL V3G 200W 740 SMB DIM 2X1 OSRAM	200	1-10V Dimming	4000	150°X70°	GL23100202055
SIM FL V3G 200W 750 SMB DIM 2X1 OSRAM	200	1-10V Dimming	5000	150°X70°	GL23100202155
SIM FL V3G 200W 757 SMB DIM 2X1 OSRAM	200	1-10V Dimming	5700	150°X70°	GL23100202255
SIM FL V3G 200W 730 ASW DIM 2X1 OSRAM	200	1-10V Dimming	3000	80°X40°	GL23100202355
SIM FL V3G 200W 740 ASW DIM 2X1 OSRAM	200	1-10V Dimming	4000	80°X40°	GL23100202455
SIM FL V3G 200W 750 ASW DIM 2X1 OSRAM	200	1-10V Dimming	5000	80°X40°	GL23100202555
SIM FL V3G 200W 757 ASW DIM 2X1 OSRAM	200	1-10V Dimming	5700	80°X40°	GL23100202655
SIM FL V3G 240W 730 NB DIM 2X1 OSRAM	240	1-10V Dimming	3000	20°	GL23100202755
SIM FL V3G 240W 740 NB DIM 2X1 OSRAM	240	1-10V Dimming	4000	20°	GL23100202855
SIM FL V3G 240W 750 NB DIM 2X1 OSRAM	240	1-10V Dimming	5000	20°	GL23100202955
SIM FL V3G 240W 757 NB DIM 2X1 OSRAM	240	1-10V Dimming	5700	20°	GL23100203055
SIM FL V3G 240W 730 MB DIM 2X1 OSRAM	240	1-10V Dimming	3000	30°	GL23100203155
SIM FL V3G 240W 740 MB DIM 2X1 OSRAM	240	1-10V Dimming	4000	30°	GL23100203255
SIM FL V3G 240W 750 MB DIM 2X1 OSRAM	240	1-10V Dimming	5000	30°	GL23100203355
SIM FL V3G 240W 757 MB DIM 2X1 OSRAM	240	1-10V Dimming	5700	30°	GL23100203455
SIM FL V3G 240W 730 UWB DIM 2X1 OSRAM	240	1-10V Dimming	3000	60°	GL23100203555
SIM FL V3G 240W 740 UWB DIM 2X1 OSRAM	240	1-10V Dimming	4000	60°	GL23100203655
SIM FL V3G 240W 750 UWB DIM 2X1 OSRAM	240	1-10V Dimming	5000	60°	GL23100203755
SIM FL V3G 240W 757 UWB DIM 2X1 OSRAM	240	1-10V Dimming	5700	60°	GL23100203855
SIM FL V3G 240W 730 EWB DIM 2X1 OSRAM	240	1-10V Dimming	3000	90°	GL23100203955
SIM FL V3G 240W 740 EWB DIM 2X1 OSRAM	240	1-10V Dimming	4000	90°	GL23100204055
SIM FL V3G 240W 750 EWB DIM 2X1 OSRAM	240	1-10V Dimming	5000	90°	GL23100204155
SIM FL V3G 240W 757 EWB DIM 2X1 OSRAM	240	1-10V Dimming	5700	90°	GL23100204255
SIM FL V3G 240W 730 SMB DIM 2X1 OSRAM	240	1-10V Dimming	3000	150°X70°	GL23100204355
SIM FL V3G 240W 740 SMB DIM 2X1 OSRAM	240	1-10V Dimming	4000	150°X70°	GL23100204455
SIM FL V3G 240W 750 SMB DIM 2X1 OSRAM	240	1-10V Dimming	5000	150°X70°	GL23100204555
SIM FL V3G 240W 757 SMB DIM 2X1 OSRAM	240	1-10V Dimming	5700	150°X70°	GL23100204655
SIM FL V3G 240W 730 ASW DIM 2X1 OSRAM	240	1-10V Dimming	3000	80°X40°	GL23100204755
SIM FL V3G 240W 740 ASW DIM 2X1 OSRAM	240	1-10V Dimming	4000	80°X40°	GL23100204855
SIM FL V3G 240W 750 ASW DIM 2X1 OSRAM	240	1-10V Dimming	5000	80°X40°	GL23100204955
SIM FL V3G 240W 757 ASW DIM 2X1 OSRAM	240	1-10V Dimming	5700	80°X40°	GL23100205055

V1.0 11/23: Official authorized licensee of the OSRAM trademark.
Specifications are subject to change without notice. Errors and omission excepted, always make sure to use the most recent release.

SIMPLITZ Floodlight V3-General

Ordering Codes

Fixture - 1-10V Dimming

Short Text	Power (W)	Control	CCT	Reference Beam Angle	Material
SIM FL V3G 300W 730 NB DIM 2X1 OSRAM	300	1-10V Dimming	3000	20°	GL23100205155
SIM FL V3G 300W 740 NB DIM 2X1 OSRAM	300	1-10V Dimming	4000	20°	GL23100205255
SIM FL V3G 300W 750 NB DIM 2X1 OSRAM	300	1-10V Dimming	5000	20°	GL23100205355
SIM FL V3G 300W 757 NB DIM 2X1 OSRAM	300	1-10V Dimming	5700	20°	GL23100205455
SIM FL V3G 300W 730 MB DIM 2X1 OSRAM	300	1-10V Dimming	3000	30°	GL23100205555
SIM FL V3G 300W 740 MB DIM 2X1 OSRAM	300	1-10V Dimming	4000	30°	GL23100205655
SIM FL V3G 300W 750 MB DIM 2X1 OSRAM	300	1-10V Dimming	5000	30°	GL23100205755
SIM FL V3G 300W 757 MB DIM 2X1 OSRAM	300	1-10V Dimming	5700	30°	GL23100205855
SIM FL V3G 300W 730 UWB DIM 2X1 OSRAM	300	1-10V Dimming	3000	60°	GL23100205955
SIM FL V3G 300W 740 UWB DIM 2X1 OSRAM	300	1-10V Dimming	4000	60°	GL23100206055
SIM FL V3G 300W 750 UWB DIM 2X1 OSRAM	300	1-10V Dimming	5000	60°	GL23100206155
SIM FL V3G 300W 757 UWB DIM 2X1 OSRAM	300	1-10V Dimming	5700	60°	GL23100206255
SIM FL V3G 300W 730 EWB DIM 2X1 OSRAM	300	1-10V Dimming	3000	90°	GL23100206355
SIM FL V3G 300W 740 EWB DIM 2X1 OSRAM	300	1-10V Dimming	4000	90°	GL23100206455
SIM FL V3G 300W 750 EWB DIM 2X1 OSRAM	300	1-10V Dimming	5000	90°	GL23100206555
SIM FL V3G 300W 757 EWB DIM 2X1 OSRAM	300	1-10V Dimming	5700	90°	GL23100206655
SIM FL V3G 300W 730 SMB DIM 2X1 OSRAM	300	1-10V Dimming	3000	150°X70°	GL23100206755
SIM FL V3G 300W 740 SMB DIM 2X1 OSRAM	300	1-10V Dimming	4000	150°X70°	GL23100206855
SIM FL V3G 300W 750 SMB DIM 2X1 OSRAM	300	1-10V Dimming	5000	150°X70°	GL23100206955
SIM FL V3G 300W 757 SMB DIM 2X1 OSRAM	300	1-10V Dimming	5700	150°X70°	GL23100207055
SIM FL V3G 300W 730 ASW DIM 2X1 OSRAM	300	1-10V Dimming	3000	80°X40°	GL23100207155
SIM FL V3G 300W 740 ASW DIM 2X1 OSRAM	300	1-10V Dimming	4000	80°X40°	GL23100207255
SIM FL V3G 300W 750 ASW DIM 2X1 OSRAM	300	1-10V Dimming	5000	80°X40°	GL23100207355
SIM FL V3G 300W 757 ASW DIM 2X1 OSRAM	300	1-10V Dimming	5700	80°X40°	GL23100207455

