

PARATHOM advanced MR16

Dimmable low-voltage LED reflector lamps MR16 with retrofit pin base



Areas of application

- As a downlight for marking walkways, doors, stairs, etc.
- Exhibitions, department stores
- Outdoor applications only in suitable luminaires
- Directional light sources
- Museums
- Hospitality
- Shops

Product benefits

- Very low energy consumption
- Extremely long life
- Robust against vibrations
- No UV and near-IR radiation in the light beam
- Efficient generation of white light

Product features

- Professional LED lamp
- Dimmable (with many common dimmers, see also www.osram.com/dim)
- Base: GU5.3
- Lifetime: up to 35,000 h
- Mercury-free lamps
- High color consistency; SDCM: < 5 (PARATHOM PRO)



Product family datasheet

Technical data

Product description	Electrical data			Photometrical data						Light technical data
	Nominal wattage	Nominal voltage	Claimed equiv. conventional lamp power	Luminous intensity	Nominal luminous flux	Rated luminous flux	Color temperature	Color rendering index Ra	Light color (designation)	Beam angle
PARATHOM MR16 35 24° ADV 4.9 W/827 GU5.3 ¹⁾	4.90 W	12.0 V	35 W	1500 cd	350 lm	350 lm	2700 K	≥80	Warm White	24 °
PARATHOM MR16 50 24° ADV 8.2 W/827 GU5.3 ¹⁾	8.20 W	12.0 V	50 W	2540 cd	621 lm	621 lm	2700 K	≥80	Warm White	24 °
PARATHOM MR16 20 36° ADV 3.3 W/827 GU5.3 ¹⁾	3.30 W	12.0 V	20 W	600 cd	230 lm	230 lm	2700 K	≥80	Warm White	36 °
PARATHOM MR16 20 36° ADV 3.3 W/830 GU5.3 ¹⁾	3.30 W	12.0 V	20 W	600 cd	230 lm	230 lm	3000 K	≥80	Warm White	36 °
PARATHOM MR16 20 36° ADV 3.3 W/840 GU5.3 ¹⁾	3.30 W	12.0 V	20 W	600 cd	230 lm	230 lm	4000 K	≥80	Cool White	36 °
PARATHOM MR16 35 36° ADV 4.9 W/827 GU5.3 ¹⁾	4.90 W	12.0 V	35 W	950 cd	350 lm	350 lm	2700 K	≥80	Warm White	36 °
PARATHOM MR16 35 36° ADV 4.9 W/830 GU5.3 ¹⁾	4.90 W	12.0 V	35 W	950 cd	350 lm	350 lm	3000 K	≥80	Warm White	36 °
PARATHOM MR16 50 36° ADV 8.2 W/827 GU5.3 ¹⁾	8.20 W	12.0 V	50 W	1430 cd	621 lm	621 lm	2700 K	≥80	Warm White	36 °
PARATHOM MR16 50 36° ADV 8.2 W/830 GU5.3 ¹⁾	8.20 W	12.0 V	50 W	1430 cd	261 lm	261 lm	3000 K	≥80	Warm White	36 °
PARATHOM MR16 50 36° ADV 8.2 W/840 GU5.3 ¹⁾	8.20 W	12.0 V	50 W	1430 cd	621 lm	621 lm	4000 K	≥80	Cool White	36 °

Product family datasheet

Product description	Warm-up time (60 %)	Dimensions & weight		Lifespan			Additional product data			Capabilities
		Overall length	Diameter	Nominal lamp life time	Number of switching cycles	Lumen main. fact. at end of nom. life time	Base (standard designation)	Lamp mercury content	Mercury-free	Dimmable
PARATHOM MR16 35 24° ADV 4.9 W/827 GU5.3 ¹⁾	0.20 s	51.7 mm	49.8 mm	25000 h	100000	0.70	GU5.3	0.0 mg	Yes	Yes ²⁾
PARATHOM MR16 50 24° ADV 8.2 W/827 GU5.3 ¹⁾	0.20 s	55.8 mm	49.6 mm	25000 h	100000	0.70	GU5.3	0.0 mg	Yes	Yes ²⁾
PARATHOM MR16 20 36° ADV 3.3 W/827 GU5.3 ¹⁾	0.20 s	51.7 mm	49.8 mm	25000 h	100000	0.70	GU5.3	0.0 mg	Yes	Yes ²⁾
PARATHOM MR16 20 36° ADV 3.3 W/830 GU5.3 ¹⁾	0.20 s	51.7 mm	49.8 mm	25000 h	100000	0.70	GU5.3	0.0 mg	Yes	Yes ²⁾
PARATHOM MR16 20 36° ADV 3.3 W/840 GU5.3 ¹⁾	0.20 s	51.7 mm	49.8 mm	25000 h	100000	0.70	GU5.3	0.0 mg	Yes	Yes ²⁾
PARATHOM MR16 35 36° ADV 4.9 W/827 GU5.3 ¹⁾	0.20 s	51.7 mm	49.8 mm	25000 h	100000	0.70	GU5.3	0.0 mg	Yes	Yes ²⁾
PARATHOM MR16 35 36° ADV 4.9 W/830 GU5.3 ¹⁾	0.20 s	51.7 mm	49.8 mm	25000 h	100000	0.70	GU5.3	0.0 mg	Yes	Yes ²⁾
PARATHOM MR16 50 36° ADV 8.2 W/827 GU5.3 ¹⁾	0.20 s	55.8 mm	49.6 mm	25000 h	100000	0.70	GU5.3	0.0 mg	Yes	Yes ²⁾
PARATHOM MR16 50 36° ADV 8.2 W/830 GU5.3 ¹⁾	0.20 s	55.8 mm	49.6 mm	25000 h	100000	0.70	GU5.3	0.0 mg	Yes	Yes ²⁾
PARATHOM MR16 50 36° ADV 8.2 W/840 GU5.3 ¹⁾	0.20 s	55.8 mm	49.6 mm	25000 h	100000	0.70	GU5.3	0.0 mg	Yes	Yes ²⁾

Product description	Certificates & standards	Country specific categorizations
	Energy efficiency class	ILCOS
PARATHOM MR16 35 24° ADV 4.9 W/827 GU5.3 ¹⁾	A+	DRR-4,9/827-12-GU5.3-50/24

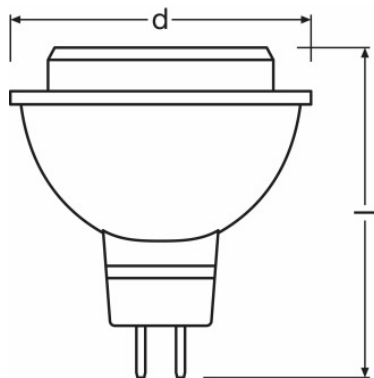
Product family datasheet

Product description	Certificates & standards	Country specific categorizations
	Energy efficiency class	ILCOS
PARATHOM MR16 50 24° ADV 8.2 W/827 GU5.3 ¹⁾	A+	DRR-8,2/827-12-GU5.3-50/24
PARATHOM MR16 20 36° ADV 3.3 W/827 GU5.3 ¹⁾	A+	DRR-3,3/827-12-GU5.3-50/36
PARATHOM MR16 20 36° ADV 3.3 W/830 GU5.3 ¹⁾	A+	DRR-3,3/830-12-GU5,3-50/36
PARATHOM MR16 20 36° ADV 3.3 W/840 GU5.3 ¹⁾	A+	DRR-3,3/840-12-GU5.3-50/36
PARATHOM MR16 35 36° ADV 4.9 W/827 GU5.3 ¹⁾	A+	DRR-4,9/827-12-GU5.3-50/36
PARATHOM MR16 35 36° ADV 4.9 W/830 GU5.3 ¹⁾	A+	DRR-4,9/830-12-GU5.3-50/36
PARATHOM MR16 50 36° ADV 8.2 W/827 GU5.3 ¹⁾	A+	DRR-8,2/827-12-GU5.3-50/36
PARATHOM MR16 50 36° ADV 8.2 W/830 GU5.3 ¹⁾	A+	DRR-8,2/830-12-GU5.3-50/36
PARATHOM MR16 50 36° ADV 8.2 W/840 GU5.3 ¹⁾	A+	DRR-8,2/840-12-GU5.3-50/36

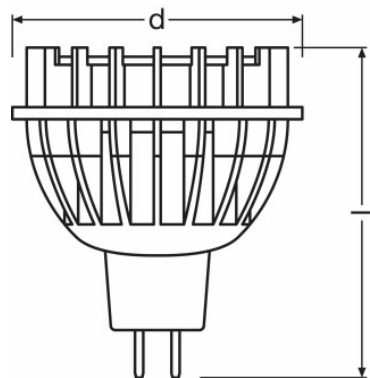
¹⁾ All technical parameters apply to the entire lamp/ Due to the complex production process for light-emitting diodes, the typical values shown for the technical LED parameters are purely statistical values that do not necessarily match the actual technical parameters of each individual product, which can vary from the typical value/ LED lamps contain several electronic components. Under unfavourable conditions these can lead to acoustic noise. In case of resonance even low noise can cause audible effect. Possible factors influencing this are the installation, the design of the lamp holder and the luminaire (acoustic resonance effect) as well as the dimmer or the transformer (harmonics or electronic resonance)

²⁾ With many common dimmers, see also www.osram.com/dim

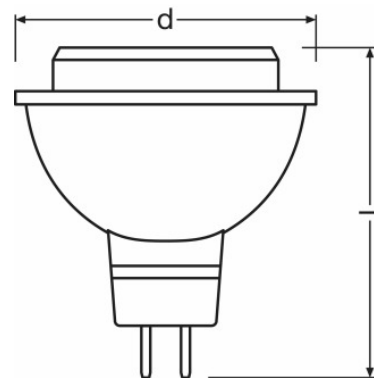
Product family datasheet



PARATHOM MR16 35 24° ADV 4.9
W/827 GU5.3, PARATHOM MR16 35
36° ADV 4.9 W/827 GU5.3, PARATHOM
MR16 35 36° ADV 4.9 W/830 GU5.3



PARATHOM MR16 50 24° ADV 8.2
W/827 GU5.3, PARATHOM MR16 50
36° ADV 8.2 W/827 GU5.3, PARATHOM
MR16 50 36° ADV 8.2 W/830 GU5.3,
PARATHOM MR16 50 36° ADV 8.2
W/840 GU5.3



PARATHOM MR16 20 36° ADV 3.3
W/827 GU5.3, PARATHOM MR16 20
36° ADV 3.3 W/830 GU5.3, PARATHOM
MR16 20 36° ADV 3.3 W/840 GU5.3

Equipment / Accessories

- Equipped with high-power LEDs
- Suitable for many commercially available electronic or conventional transformers

Application advice

For more detailed application information and graphics please see product datasheet.

Product family datasheet

Logistical Data

Product code	Product description	Packaging unit (Pieces/Unit)	Dimensions (length x width x height)	Volume	Gross weight
4052899943711	PARATHOM MR16 35 24° ADV 4.9 W/827 GU5.3	Shipping carton box 10	267 mm x 111 mm x 69 mm	2.04 dm ³	624.00 g
4052899943759	PARATHOM MR16 50 24° ADV 8.2 W/827 GU5.3	Shipping carton box 10	267 mm x 111 mm x 69 mm	2.04 dm ³	754.00 g
4052899943681	PARATHOM MR16 20 36° ADV 3.3 W/827 GU5.3	Shipping carton box 10	267 mm x 111 mm x 69 mm	2.04 dm ³	397.00 g
4052899943698	PARATHOM MR16 20 36° ADV 3.3 W/830 GU5.3	Shipping carton box 10	267 mm x 111 mm x 69 mm	2.04 dm ³	398.00 g
4052899943704	PARATHOM MR16 20 36° ADV 3.3 W/840 GU5.3	Shipping carton box 10	267 mm x 111 mm x 69 mm	2.04 dm ³	394.00 g
4052899943728	PARATHOM MR16 35 36° ADV 4.9 W/827 GU5.3	Shipping carton box 10	267 mm x 111 mm x 69 mm	2.04 dm ³	629.00 g
4052899943735	PARATHOM MR16 35 36° ADV 4.9 W/830 GU5.3	Shipping carton box 10	267 mm x 111 mm x 69 mm	2.04 dm ³	605.00 g
4052899943766	PARATHOM MR16 50 36° ADV 8.2 W/827 GU5.3	Shipping carton box 10	267 mm x 111 mm x 69 mm	2.04 dm ³	755.00 g
4052899943773	PARATHOM MR16 50 36° ADV 8.2 W/830 GU5.3	Shipping carton box 10	267 mm x 111 mm x 69 mm	2.04 dm ³	755.00 g
4052899943780	PARATHOM MR16 50 36° ADV 8.2 W/840 GU5.3	Shipping carton box 10	267 mm x 111 mm x 69 mm	2.04 dm ³	755.00 g

The mentioned product code describes the smallest quantity unit which can be ordered. One shipping unit can contain one or more single products. When placing an order, for the quantity please enter single or multiples of a shipping unit.

References / Links

Product family datasheet

For dimming conformity see

▶ www.osram.com/DIM

For further products and actual information concerning LED lamps see

▶ www.osram.com/ledlamps

For Guarantee see

▶ www.osram.com/guarantee

Further information see

▶ www.osram.com/low-voltage-ledlamps

Disclaimer

Subject to change without notice. Errors and omission excepted. Always make sure to use the most recent release.