

LED COMFO® Downlight V3 Datasheet



LED COMFO® Downlight V3 is the latest generation lighting solution for large space illumination. The slim and integrated body design provides high quality and safety based on 30,000 hours lifetime and all size options 4"/5"/6"/8".

Benefits

Rigidity & safety

- 30,000hrs lifetime
- 1KV line-to-line surge protection

Uniform and comfortable lighting experience

- Optimized optical design brings high uniformity
- Imported LED provides consistent color temperature
- CRI>80
- Wide beam angle 110°

Easy to install

- Wide mounting ring (10mm to 12.5mm) which can fit the dimensional deviation of installation in various retrofit projects
- Integrated design
- Slim design with the height of 35mm
- 100~140mm pre-wire

Full range to meet all applications request

- Four size options 4"/5"/6"/8"
- Full power range 8W/10W/16W/24W
- CCT 3000K/4000K/6500K

Applications

- Commercial buildings
- Offices
- Public areas
- Warehouses and workshops

LED COMFO® Downlight V3

Technical Data

Optical Specifications

	8W	10W	16W	24W
Luminous Flux	600 lm	800 lm	1360 lm	2160 lm
Efficacy 4000K	75 lm/W	80 lm/W	≥85 lm/W	≥90 lm/W
CCT	3000K, 4000K, 6500K			
CRI	>80			
SDCM	5			
Beam Angle	110°			

Electrical and Mechanical Specifications

Input Voltage	220-240V AC 50/60Hz				
Power Consumption	8W	10W	16W	24W	
Power Factor	>0.5				
Total Harmonic Distortion	<20%				
Surge Protection	Line-to-line 1KV				
Dimensions	Diameter	120mm	150mm	175mm	225mm
	Height	35mm			
Cut-out	100mm	125mm	150mm	200mm	
Weight	94g	135g	172g	287g	
Cover Lens	PC				
Housing	PC				

System Specifications

Power	AC line
Control	ON/OFF
Installation	Recessed mounting
Operating Temperature	-20°C to +40°C
Storage Temperature	-30°C to +80°C
Environment	Indoor (IP40)
Lumen Maintenance	L70 @25°C - 30,000hrs
Safety Approval	Electrical Protection Class II, CB, CCC, Photo-biological safety, RoHS

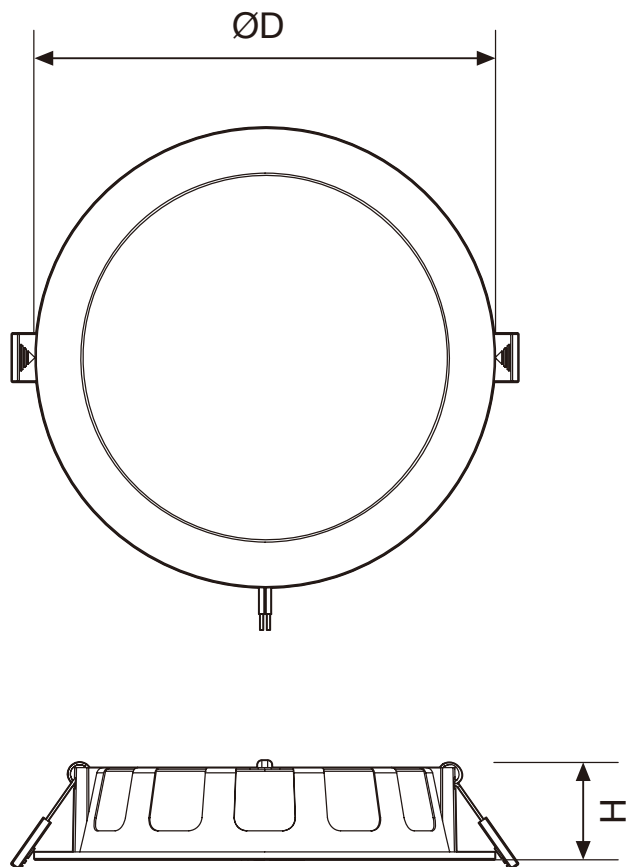
Due to the special conditions of manufacturing process of LED, the typical data of technical parameters can only reflect statistical figures and do not necessarily correspond to the actual parameters of each single product which could differ from typical data.

Exceeding maximum ratings for operation voltage will cause hazardous overload and will likely destroy the LED module.

Exceeding maximum ratings for operation and storage temperature will reduce expected life time or destroy the LED module.

LED COMFO® Downlight V3

Dimensions



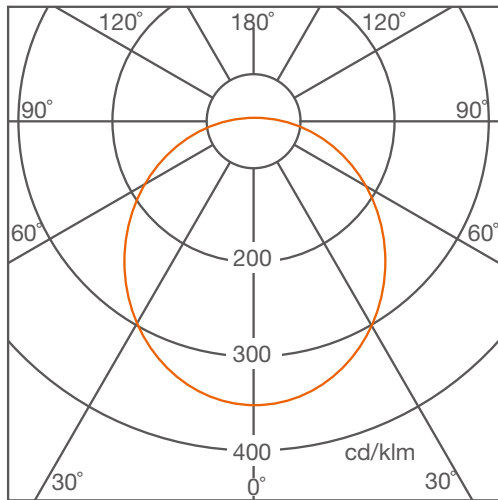
Dimensions

	8W	10W	16W	24W
$\varnothing D$	120mm	150mm	175mm	225mm
H	35mm			

LED COMFO® Downlight V3

Photometrics

Light Distribution Curve (3000K, 4000K, 6500K)



Illuminance at a distance (3000K, 4000K, 6500K)

	Center Beam Lux/klm	Beam Width
0.5m	1440	1.41m
1m	360	2.82m
1.5m	160	4.24m
2m	90	5.65m
2.5m	58	7.06m
3m	40	8.47m

For feet multiply by 3.28

● Horiz.Spread: 109.4°
For fc divide by 10.7

Due to the manufacturing processes of LED, the polar candela distribution and distance luminaries only reflect statistical figures and do not necessarily correspond to the actual parameters of individual product that may differ from the typical values.

02/18 V1.0 · Specifications are subject to change without notice. Errors and omission excepted, always make sure to use the most recent release.

©2018 OSRAM GmbH · All rights reserved · Internet www.osram.asia/ls

LED COMFO® Downlight V3

Ordering Codes

Fixtures

Short Text		Power	CCT	Material	EAN10	EAN40
LCM DL 8W 830 4IN V3 48X1	OSRAM	8W	3000K	AM193110055	4052899596184	4052899596191
LCM DL 8W 840 4IN V3 48X1	OSRAM	8W	4000K	AM193120055	4052899596207	4052899596214
LCM DL 8W 865 4IN V3 48X1	OSRAM	8W	6500K	AM193130055	4052899596221	4052899596238
LCM DL 10W 830 5IN V3 36X1	OSRAM	10W	3000K	AM193140055	4052899596245	4052899596252
LCM DL 10W 840 5IN V3 36X1	OSRAM	10W	4000K	AM193150055	4052899596269	4052899596276
LCM DL 10W 865 5IN V3 36X1	OSRAM	10W	6500K	AM193160055	4052899596283	4052899596290
LCM DL 16W 830 6IN V3 36X1	OSRAM	16W	3000K	AM193170055	4052899596306	4052899596313
LCM DL 16W 840 6IN V3 36X1	OSRAM	16W	4000K	AM193180055	4052899596320	4052899596337
LCM DL 16W 865 6IN V3 36X1	OSRAM	16W	6500K	AM193190055	4052899596344	4052899596351
LCM DL 24W 830 8IN V3 32X1	OSRAM	24W	3000K	AM193200055	4052899596368	4052899596375
LCM DL 24W 840 8IN V3 32X1	OSRAM	24W	4000K	AM193210055	4052899596382	4052899596399
LCM DL 24W 865 8IN V3 32X1	OSRAM	24W	6500K	AM193220055	4052899596405	4052899596412