

## LED COMFO® Downlight V3 Datasheet



LED COMFO® Downlight V3 is the latest generation lighting solution for large space illumination. The slim and integrated body design provides high quality and safety based on 30,000 hours lifetime and all size options 4"/5"/6"/8".

### Benefits

Rigidity & safety

- 30,000hrs lifetime
- 1KV line-to-line surge protection
- Classic and artistic industrial design

Uniform and comfortable lighting experience

- Optimized optical design brings high uniformity
- Imported LED provides consistent color temperature
- CRI>80
- Wide beam angle 100°

Easy to install

- Wide mounting ring (10mm to 12.5mm) which can fit the dimensional deviation of installation in various retrofit projects
- Integrated design
- Slim design with the height of 35mm
- 100~140mm pre-wire

Full range to meet all applications request

- Four size options 4"/5"/6"/8"
- Full power range 8W/10W/16W/24W
- CCT 3000K/4000K/6500K

### Applications

- Commercial buildings
- Offices
- Public areas
- Warehouses and workshops

# LED COMFO® Downlight V3

## Technical Data

### Optical Specifications

	8W	10W	16W	24W
<b>Luminous Flux</b>	600 lm	800 lm	1280 lm	1920 lm
<b>Efficacy</b> 4000K	75 lm/W	80 lm/W	80 lm/W	80 lm/W
<b>CCT</b>	3000K, 4000K, 6500K			
<b>CRI</b>	>80			
<b>SDCM</b>	5			
<b>Beam Angle</b>	100°			

### Electrical and Mechanical Specifications

<b>Input Voltage</b>	220-240V AC 50/60Hz				
<b>Power Consumption</b>	8W	10W	16W	24W	
<b>Power Factor</b>	>0.5				
<b>Total Harmonic Distortion</b>	<20%				
<b>Surge Protection</b>	Line-to-line 1KV				
<b>Dimensions</b>	<b>Diameter</b>	120mm	150mm	175mm	225mm
	<b>Height</b>	35mm			
<b>Cut-out</b>	100mm	125mm	150mm	200mm	
<b>Weight</b>	100g	160g	200g	330g	
<b>Cover Lens</b>	PC				
<b>Housing</b>	Plastic				

### System Specifications

<b>Power</b>	AC line
<b>Control</b>	ON/OFF
<b>Installation</b>	Recessed mounting
<b>Operating Temperature</b>	-20°C to +40°C
<b>Storage Temperature</b>	-30°C to +80°C
<b>Environment</b>	Indoor (IP40)
<b>Lumen Maintenance</b>	L70 @25°C - 30,000hrs
<b>Safety Approval</b>	Electrical Protection Class II, CB, CCC, Photo-biological safety, RoHS

Due to the special conditions of manufacturing process of LED, the typical data of technical parameters can only reflect statistical figures and do not necessarily correspond to the actual parameters of each single product which could differ from typical data.

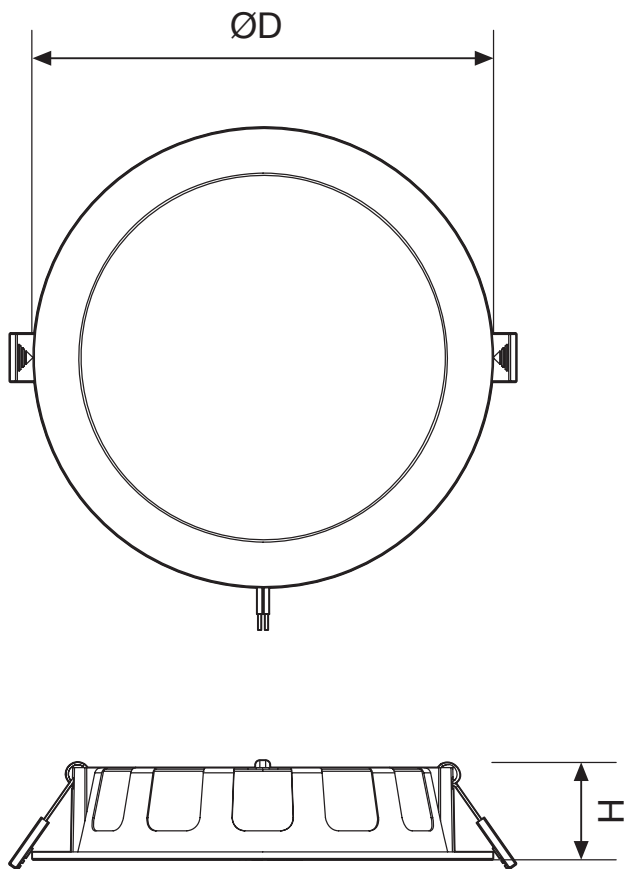
Exceeding maximum ratings for operation voltage will cause hazardous overload and will likely destroy the LED module.

Exceeding maximum ratings for operation and storage temperature will reduce expected life time or destroy the LED module.

---

## LED<sup>COMFO</sup>® Downlight V3

### Dimensions



---

### Dimensions

	8W	10W	16W	24W
$\varnothing D$	120mm	150mm	175mm	225mm
H	35mm			