

## PURSOS® LED Flood Light G2

### Datasheet



**PRELIMINARY**

PURSOS® LED Flood Light G2 are upgraded version to the durable and environmentally-preferable PURSOS® LED Flood Light series. Rated for outdoor use, the luminaires are designed to replace the traditional 100W, 250W and 400W HID flood lights with excellent energy savings. Special optical designs in slim, rugged aluminum alloy housing made to fit many forward lighting applications such as billboard illumination, flood lighting and façade lighting. Advertisers and store owners can rest assured that their important company messages will shine brightly through the night, all year round. The durable construction and remarkably long lifetime of PURSOS® offers big savings in maintenance costs, particularly for hard-to-reach installation locations, such as building façades and rooftop billboards. The energy efficient PURSOS® LED lighting with specially designed optics promises that the target area will be blanketed in smooth consistent light while the customer benefits from cost savings and a small carbon footprint.

### Benefits

True traditional 100W, 250W and 400W HID flood light replacement

- Energy saving alternative to traditional flood lights with matching brightness level and more

Special designed optics of various applications

- Tailored light distribution with asymmetric optic for billboard lighting; symmetric optics for flood lighting and façade and building illumination

High efficiency options

- Up to 130 lm/W

IP66 protection

- Undergone rigorous testing to ensure dust & water ingress protection

Light weight and compact

- Lightest LED flood light in its class, and weight comparable to traditional flood lights

Tilt lockable yoke with aiming marks

- Mounting yoke with lockable aiming marks at 10° intervals for accurate light projection

Long lifetime

- Long life saving maintenance cost, particularly good for difficult to access locations such as façades and roof top billboards

### Applications

- Billboard illuminations
- Flood lightings
- Façade and building illuminations
- Area lightings

### Optional Accessories

- Tempered glass cover; diffuser cover
- Aluminium barn door; louver
- Daylight sensor; movement sensor

# PURSOS® LED Flood Light G2

## Technical Data

### Optical Specifications

		PURSOS S		PURSOS M		*PURSOS L	
Luminous Flux	3000K	8944 lm	12,061 lm	18,986 lm	23,232 lm	29,081 lm	31,972 lm
	4000K	9391 lm	12,664 lm	19,935 lm	24,394 lm	30,535 lm	33,571 lm
	5700K	9658 lm	12,982 lm	20,480 lm	24,961 lm	31,326 lm	34,356 lm
Efficacy	3000K	128 lm/W	120 lm/W	127 lm/W	116 lm/W	121 lm/W	114 lm/W
	4000K	134 lm/W	127 lm/W	133 lm/W	122 lm/W	127 lm/W	120 lm/W
	5700K	138 lm/W	130 lm/W	137 lm/W	125 lm/W	130 lm/W	123 lm/W
CCT		3000K, 4000K, 5700K					
CRI		70 (CRI80 can be customized, but lumen output will be decreased at least 5%)					
SDCM		5					
Beam Angle		*15°, *60°, 130° × 20°					

### Electrical and Mechanical Specifications

Input Voltage	110-240V AC 50/60Hz						
Power Consumption	70W	100W	150W	200W	*240W	*280W	
Power Factor	>0.9						
Total Harmonic Distortion	<15%						
ESD Protection	Contact 4KV, air 8KV						
Surge Protection	Line-to-line 5KV, line-to-ground 10KV						
Dimensions	Length	385mm		425mm		455mm	
	Width	384mm		499mm		667mm	
	Height	62mm		62mm		62mm	
Weight	7.5kg		10kg		12kg		
Cover Lens	PC						
Housing	Die-casting aluminium housing, RAL9007						

### System Specifications

Power	AC line
Dimmable	ON/OFF, *1-10V dimming
Mounting Type	Bracket mounting
Adjustment Option	+60° to -160°
Operating Temperature	-40°C to +50°C
Storage Temperature	-40°C to +85°C
Environment	Outdoor (IP66, IK09)
Lumen Maintenance	L70 @35°C - 50,000hrs
Safety Approval	Electrical Protection Class I, CB, CE, CQC, Photobiological safety, RoHS

Items with \* are non-standard items and are available on request. Specification is subject to change due to continuous improvement.

Due to the special conditions of manufacturing process of LED, the typical data of technical parameters can only reflect statistical figures and do not necessarily correspond to the actual parameters of each single product which could differ from typical data.

Exceeding maximum ratings for operation voltage will cause hazardous overload and will likely destroy the LED module.

Exceeding maximum ratings for operation and storage temperature will reduce expected life time or destroy the LED module.

03/17 V0.3 Preliminary · Specifications are subject to change without notice. Errors and omission excepted, always make sure to use the most recent release.

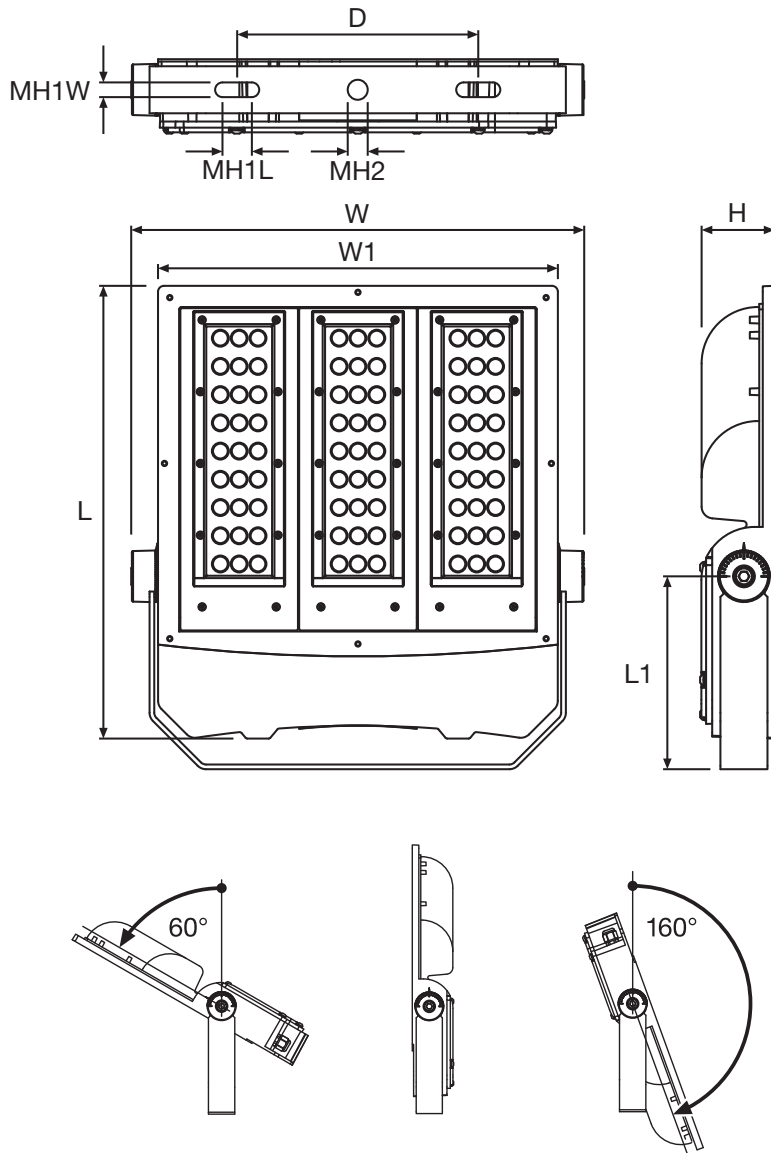
©2017 OSRAM GmbH · All rights reserved · Internet [www.lightingsolutions.osram.com/asia](http://www.lightingsolutions.osram.com/asia)

2 of 7

# PURSOS® LED Flood Light G2

## Dimensions

### PURSOS S



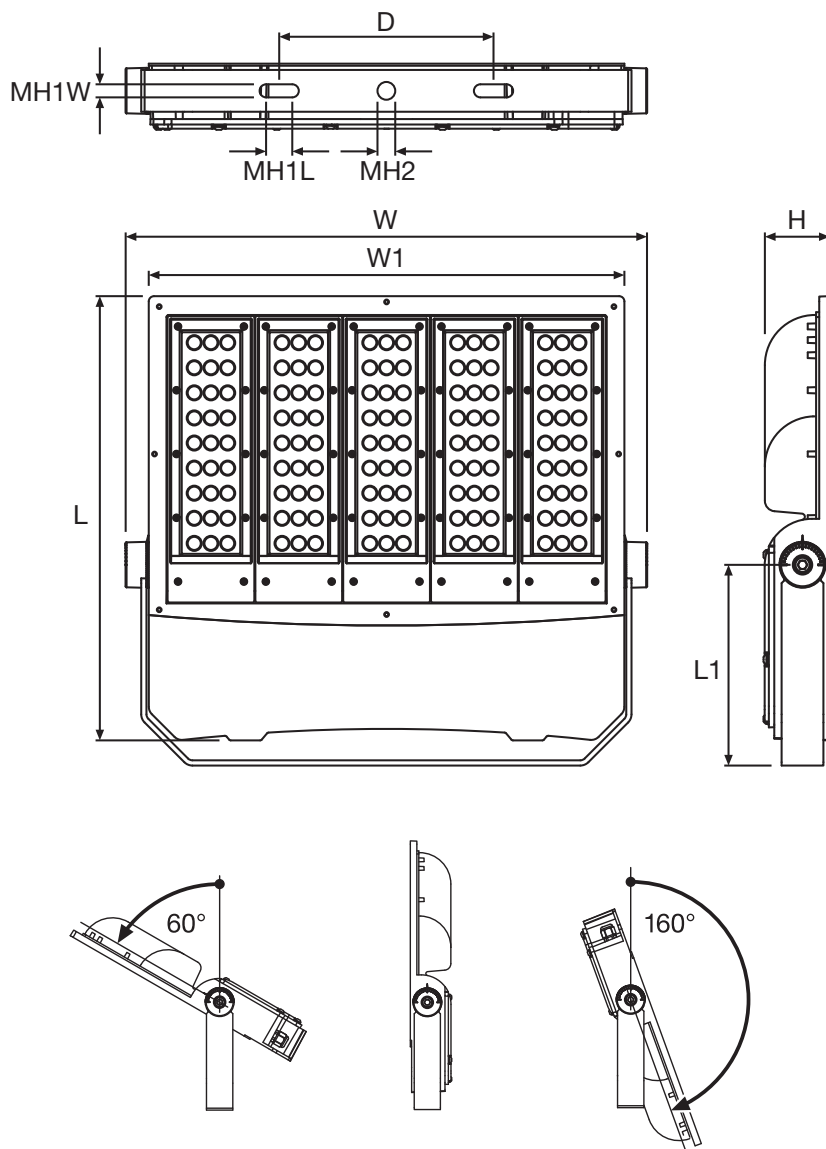
## Dimensions

	<b>M</b>
<b>L</b>	385mm
<b>W</b>	384mm
<b>H</b>	340mm
<b>D</b>	205mm
<b>L1</b>	164mm
<b>W1</b>	340mm
<b>MH1L</b>	25mm
<b>MH1W</b>	12.5mm
<b>MH2</b>	17mm

# PURSOS® LED Flood Light G2

## Dimensions

### PURSOS M



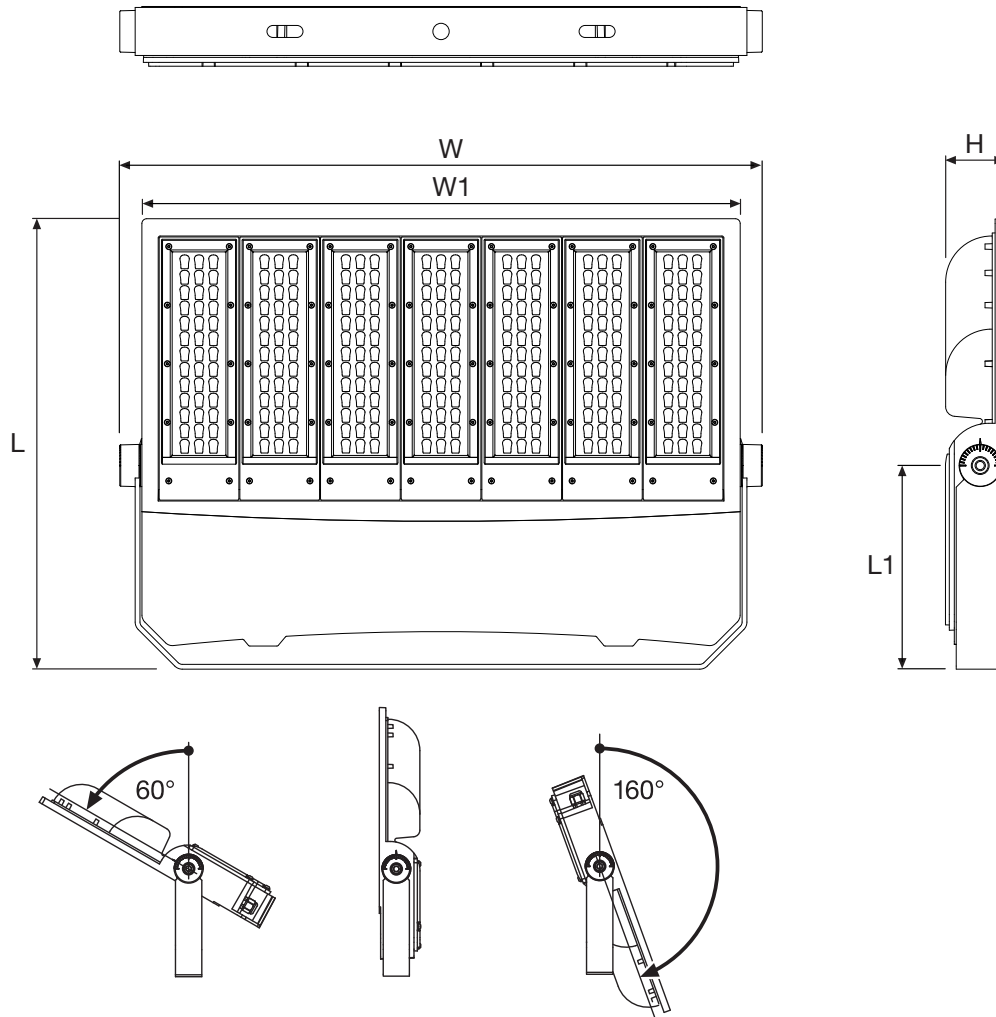
## Dimensions

	M
L	425mm
W	499mm
H	62mm
D	205mm
L1	192mm
W1	455mm
MH1L	25mm
MH1W	12.5mm
MH2	17mm

# PURSOS® LED Flood Light G2

## Dimensions

### PURSOS L



## Dimensions

	M
L	445mm
W	667mm
H	62mm
L1	212mm
W1	623mm

# PURSOS® LED Flood Light G2

## Ordering Codes

### Fixture

Short Text	Power	CCT	Beam Angle	Material	EAN40
PURSOS G2 70W 730 AS VS1 OSRAM	70W	3000K	130° × 20°	AM054240055	4052899495593
PURSOS G2 70W 740 AS VS1 OSRAM	70W	4000K	130° × 20°	AM054250055	4052899495609
PURSOS G2 70W 757 AS VS1 OSRAM	70W	5700K	130° × 20°	AM054260055	4052899495616
PURSOS G2 100W 730 AS VS1 OSRAM	100W	3000K	130° × 20°	AM054330055	4052899495685
PURSOS G2 100W 740 AS VS1 OSRAM	100W	4000K	130° × 20°	AM054340055	4052899495692
PURSOS G2 100W 757 AS VS1 OSRAM	100W	5700K	130° × 20°	AM054350055	4052899495708
PURSOS G2 150W 730 AS VS1 OSRAM	150W	3000K	130° × 20°	AM054410055	4052899495777
PURSOS G2 150W 740 AS VS1 OSRAM	150W	4000K	130° × 20°	AM054420055	4052899495784
PURSOS G2 150W 757 AS VS1 OSRAM	150W	5700K	130° × 20°	AM054430055	4052899495791
PURSOS G2 200W 730 AS VS1 OSRAM	200W	3000K	130° × 20°	AM054500055	4052899496392
PURSOS G2 200W 740 AS VS1 OSRAM	200W	4000K	130° × 20°	AM054510055	4052899496415
PURSOS G2 200W 757 AS VS1 OSRAM	200W	5700K	130° × 20°	AM054520055	4052899496422

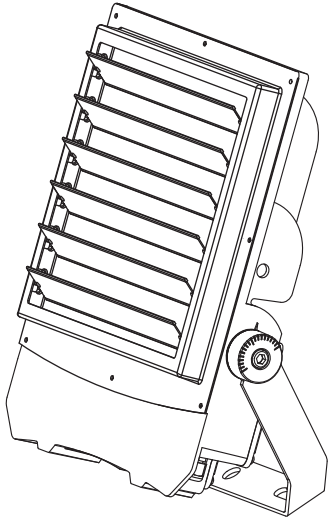
### Accessories

Short Text	Material	EAN40
PURSOS S ACCESSORY BARN DOOR 5X1 OSRAM	AA657460055	4052899104921
PURSOS S ACCESSORY DIFFUSER VS5 OSRAM	AA657500055	4052899104990
PURSOS S ACCESSORY GLASS VS5 OSRAM	AA657480055	4052899104952
PURSOS S ACCESSORY LOUVER 5X1 OSRAM	AA657520055	4052899105041
PURSOS M ACCESSORY BARN DOOR 5X1 OSRAM	AA657470055	4052899104945
PURSOS M ACCESSORY DIFFUSER VS5 OSRAM	AA657510055	4052899105010
PURSOS M ACCESSORY GLASS VS5 OSRAM	AA657490055	4052899104976
PURSOS M ACCESSORY LOUVER 5X1 OSRAM	AA657530055	4052899105065

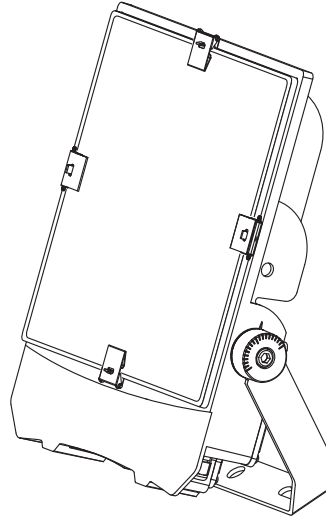
# PURSOS® LED Flood Light G2

## Accessories

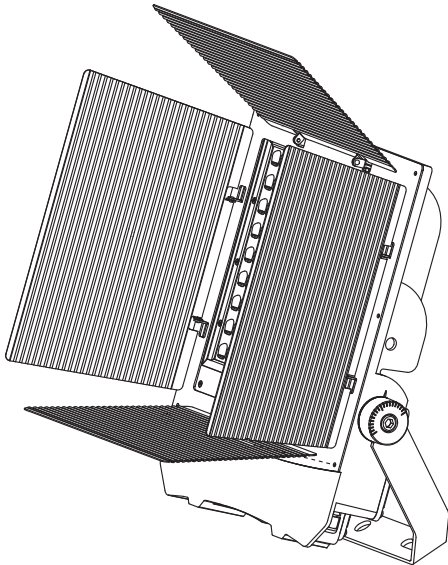
Louver



Glass



Barndoor



Diffuser

