

PrevaLED® COIN 50 AC

Technical Information



Product features

- Integrated driver, heat sink and lens optics
- Fits in most existing MR-16 traditional luminaires
- Narrow beam angles, 24° , 40° & 60° (for 800lm)
- LED replacement for MR-16
- Flexibility through 2 lumen packages and 2 CCTs
- IP44 & Phase Cut dimmable (refer to dimmer list)

Benefits

- Easy & fast design-in for luminaire manufacturers
- Turn-key solution for projects

Applications

For Spot & Track-light in:

- Chain stores, Retail shops
- Shopping malls
- Exhibition halls
- Museums

Technical Operating Data

Product	Input Voltage [Vac]	Nominal Power [W]	Beam Angle [°]	Color Temp. [K]	Nominal Flux [lm]	Typ. CRI [Ra]	Efficacy [lm/W]
PL-COIN50 AC-650-830-24-230V-G1	220-240V	8.2	24	3000	650	83	79.3
PL-COIN50 AC-650-830-40-230V-G1	220-240V	8.2	40	3000	650	83	79.3
PL-COIN50 AC-650-840-24-230V-G1	220-240V	8.2	24	4000	720	83	87.8
PL-COIN50 AC-650-840-40-230V-G1	220-240V	8.2	40	4000	720	83	87.8
PL-COIN50 AC-800-830-24-230V-G1	220-240V	9.2	24	3000	800	83	86.9
PL-COIN50 AC-800-830-40-230V-G1	220-240V	9.2	40	3000	800	83	86.9
PL-COIN50 AC-800-830-60-230V-G1	220-240V	9.2	60	3000	800	83	86.9
PL-COIN50 AC-800-840-24-230V-G1	220-240V	9.2	24	4000	830	83	90.2
PL-COIN50 AC-800-840-40-230V-G1	220-240V	9.2	40	4000	830	83	90.2
PL-COIN50 AC-800-840-60-230V-G1	220-240V	9.2	60	4000	830	83	90.2

All Data are related to the entire module (Testing at steady status. Ta=25°C ± 5°C. Testing current tolerance: ±5%)

Due to the special conditions of the manufacturing processes of LED the typical data of technical parameters can only reflect statistical figures and do not necessarily correspond to the actual parameters of each single product which could differ from the typical data

Technical Features

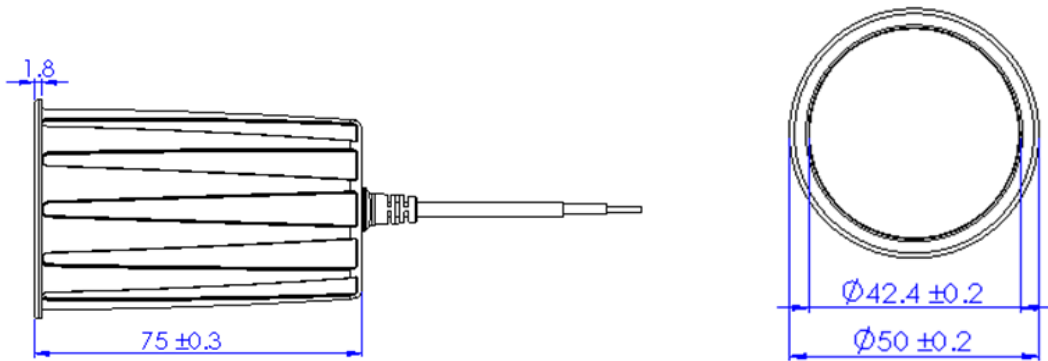
- Module ready to use with two cables
- Cable length 500 mm, cable Ø 2.15 mm
- Color Rendering index CRI (Ra) typ. 83
- Light engine efficacy up to 90 lm/W including driver
- Color tolerance: <MacAdam 4 SDCM
- Max. tc temperature of 90°C (see IEC/PAS 62717)
- L70B50 ≥ 35,000 hours at tp=73°C

Minimum and Maximum Ratings

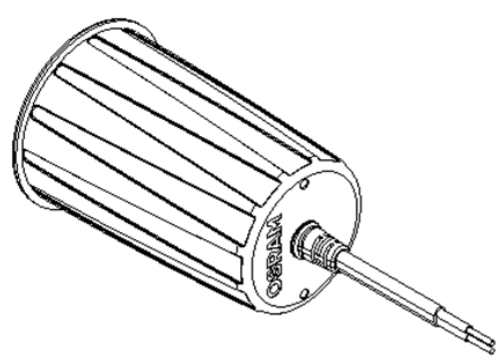
Product	Operating Temperature At tc-Point [C°]*	Storage Temperature [C°]*	Input AC voltage range	Max Power [W]
PL-COIN50 AC-650-830-24-230V-G1	-20 ... 90	-40 ... 80	198 - 264	8.7
PL-COIN50 AC-650-830-40-230V-G1	-20 ... 90	-40 ... 80	198 - 264	8.7
PL-COIN50 AC-650-840-24-230V-G1	-20 ... 90	-40 ... 80	198 - 264	8.7
PL-COIN50 AC-650-840-40-230V-G1	-20 ... 90	-40 ... 80	198 - 264	8.7
PL-COIN50 AC-800-830-24-230V-G1	-20 ... 90	-40 ... 80	198 - 264	9.9
PL-COIN50 AC-800-830-40-230V-G1	-20 ... 90	-40 ... 80	198 - 264	9.9
PL-COIN50 AC-800-830-60-230V-G1	-20 ... 90	-40 ... 80	198 - 264	9.9
PL-COIN50 AC-800-840-24-230V-G1	-20 ... 90	-40 ... 80	198 - 264	9.9
PL-COIN50 AC-800-840-40-230V-G1	-20 ... 90	-40 ... 80	198 - 264	9.9
PL-COIN50 AC-800-840-60-230V-G1	-20 ... 90	-40 ... 80	198 - 264	9.9

*) Exceeding maximum ratings for operating and storage temperature will reduce expected life time or destroy the LED Module.
 Exceeding maximum ratings for operating current will cause hazardous overload and will likely destroy the LED Module.
 The temperature of the LED module must be measured at the tc-point according to EN60598-1 in a thermally constant status with a temperature sensor or a temperature sensitive label. For exact location of the tc-point see drawing below.

Dimensions & Mechanical data



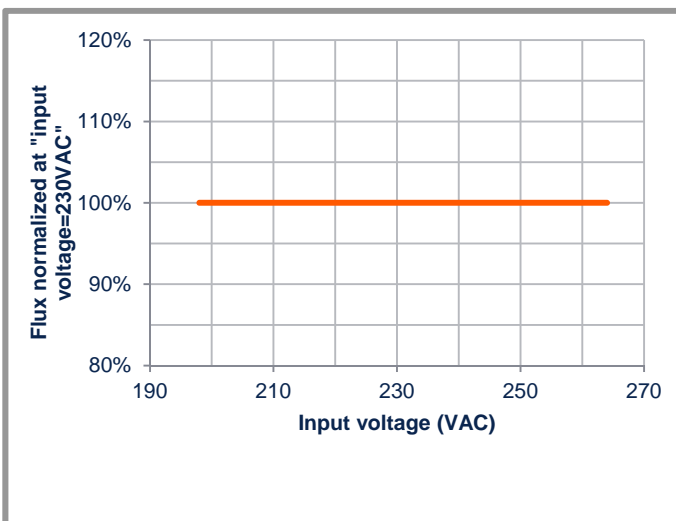
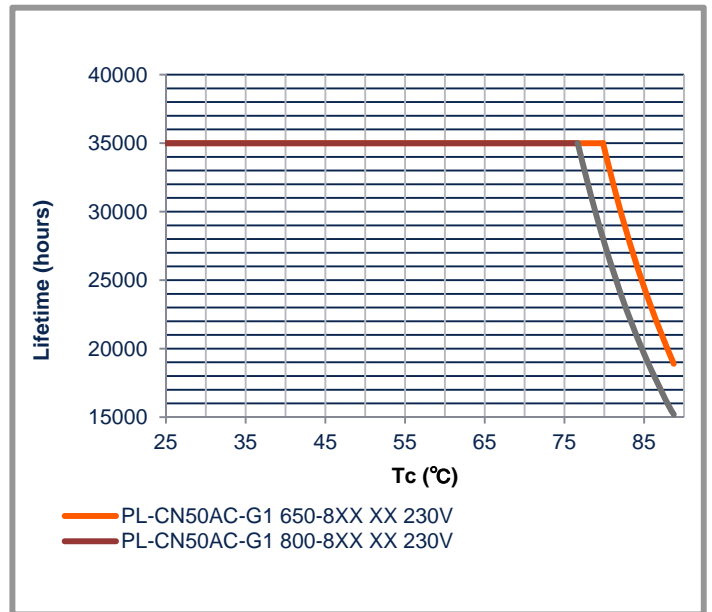
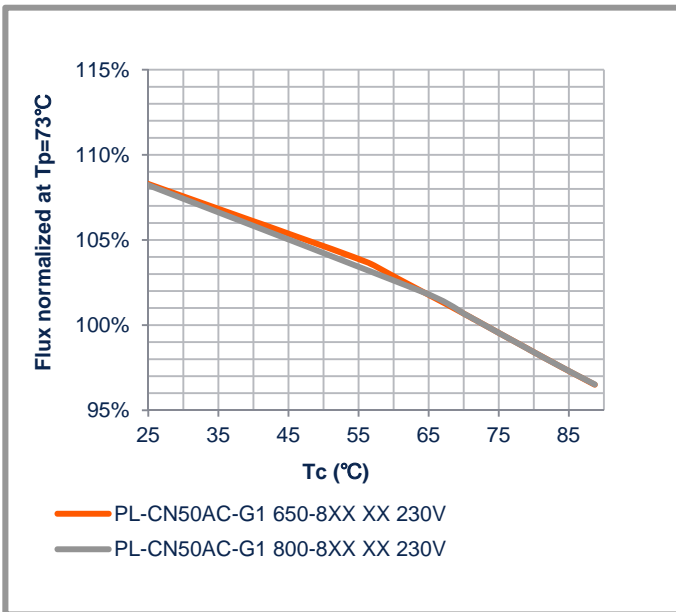
Dimension (mm)	Ø50 x 75 (H)
Mounting	MR16 similar
Optics	PC lens
Weight	185 grams ±20g



Standard Compliance

Safety	EN 62031
EMC	EN 55015, EN 61547
Eye Security	EN 62471
Ingress Protection	Dry Location, IP 44
Environment	RoHS

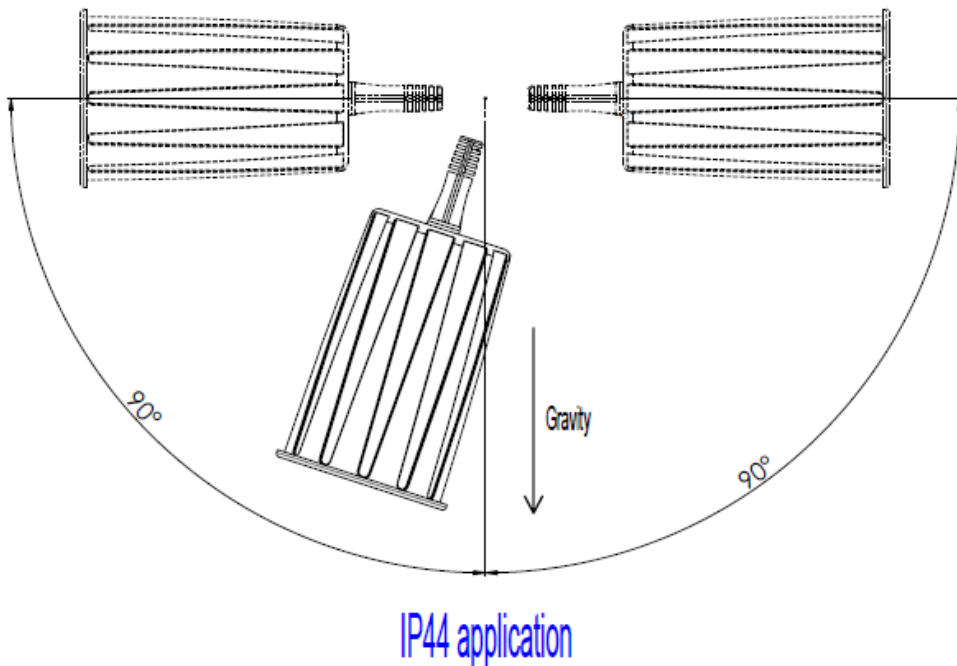
Electrical Operating Conditions



Safety Information

- The LED module itself and all its components must not be mechanically stressed.
- Assembly must not damage or destroy conducting paths on the circuit board.
- To avoid mechanical damage to the connecting cables, the module should be attached securely to the intended substrate. Heavy vibration should be avoided.
- Installation of LED modules (with power supplies) needs to be made with regard to all applicable electrical and safety standards. Only qualified personnel should be allowed to perform installations.
- Pay attention to standard ESD precautions when installing the module.
- Damage by corrosion will not be honored as a materials defect claim. It is the user's responsibility to provide suitable protection against corrosive agents such as moisture and condensation and other harmful elements.
- If the IP rating of the fixture should be higher than IP20, the design of the housing should be according to the IP standards in the application.
- Pay attention not to exceed the maximum operation temperature at tc point when the modules are used in enclosed environment.

Recommended operation condition for IP44



Ordering Guide

Product Name	Product Code	Product Number (EAN-010)	Product Number (EAN-040)	Piece Per Box
PrevaLED COIN 50 AC	PL-CN50AC-G1 800-830 24 230V	4052899276604	4052899276611	12
PrevaLED COIN 50 AC	PL-CN50AC-G1 800-840 24 230V	4052899276628	4052899276635	12
PrevaLED COIN 50 AC	PL-CN50AC-G1 800-830 40 230V	4052899276642	4052899276659	12
PrevaLED COIN 50 AC	PL-CN50AC-G1 800-840 40 230V	4052899276666	4052899276673	12
PrevaLED COIN 50 AC	PL-CN50AC-G1 800-830 60 230V	4052899276680	4052899276697	12
PrevaLED COIN 50 AC	PL-CN50AC-G1 800-840 60 230V	4052899276703	4052899276710	12
PrevaLED COIN 50 AC	PL-CN50AC-G1 650-830 24 230V	4052899276727	4052899276734	12
PrevaLED COIN 50 AC	PL-CN50AC-G1 650-840 24 230V	4052899276741	4052899276758	12
PrevaLED COIN 50 AC	PL-CN50AC-G1 650-830 40 230V	4052899276765	4052899276772	12
PrevaLED COIN 50 AC	PL-CN50AC-G1 650-840 40 230V	4052899276789	4052899276796	12

Sales and Technical Support

OSRAM Asia Pacific Management
Company Shenzhen Branch
BU Light Engines & Control

4-5/F Hantang Building, OCT (Overseas
Chinese Town) Nanshan District,
Shenzhen 518053, P.R. China

www.osram.com

Sales and technical support is given by the local
OSRAM subsidiaries. Complete subsidiaries
listing is available at OSRAM homepage.