

Highly Integrated Downlight Module

Product Specification



Benefits

- Wide flux output range
- Simple & easy installation
- Wide CCT Range 2700-6500K

Product Description

CORE-DL-DF is highly integrated module solution for indoor diffusive downlight application. The product is using OSRAM LED technology and provides wide range of flux output in standard form factor.

- Compatible with OSRAM OPTOTRONIC drivers
- Lifetime L70B50 >50khrs
- System warranty up to 5 years

Features

- Color consistency < 4SDCM
- Flux output range 700-2,500lm
- Beam angle FWHM at 90-100°

Applications

- Retail, shopping mall
- Office, education

Table 1. Product Performance, Ta = 25°C

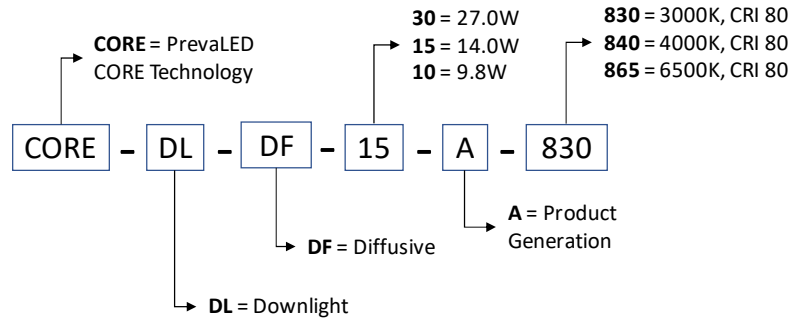
Product name	Nominal CCT (K)	Min CRI	Flux Output (lm)		Typical Efficacy (lm/W)	Test Current (mA)	Nominal Power (W)	Beam Angle (FWHM)	Cutout (mm)	Dimension (mm)
			Min	Typ						
CORE-DL-DF-10-A-827	2700	80	610	675	70	250	9.8	97	100	Ø112 x H65
CORE-DL-DF-10-A-830	3000	80	650	720	74	250	9.8	97	100	Ø112 x H65
CORE-DL-DF-10-A-835	3500	80	700	770	79	250	9.8	97	100	Ø112 x H65
CORE-DL-DF-10-A-840	4000	80	700	770	79	250	9.8	97	100	Ø112 x H65
CORE-DL-DF-10-A-865	6500	80	700	770	79	250	9.8	97	100	Ø112 x H65
CORE-DL-DF-15-A-827	2700	80	935	1,030	74	350	14.0	97	153	Ø173 x H90
CORE-DL-DF-15-A-830	3000	80	1,000	1,100	79	350	14.0	97	153	Ø173 x H90
CORE-DL-DF-15-A-835	3500	80	1,070	1,190	85	350	14.0	97	153	Ø173 x H90
CORE-DL-DF-15-A-840	4000	80	1,070	1,190	85	350	14.0	97	153	Ø173 x H90
CORE-DL-DF-15-A-865	6500	80	1,070	1,190	85	350	14.0	97	153	Ø173 x H90
CORE-DL-DF-30-A-827	2700	80	1,990	2,200	82	700	27.0	100	225	Ø245 x H90
CORE-DL-DF-30-A-830	3000	80	2,110	2,330	86	700	27.0	100	225	Ø245 x H90
CORE-DL-DF-30-A-835	3500	80	2,260	2,500	93	700	27.0	100	225	Ø245 x H90
CORE-DL-DF-30-A-840	4000	80	2,260	2,500	93	700	27.0	100	225	Ø245 x H90
CORE-DL-DF-30-A-865	6500	80	2,260	2,500	93	700	27.0	100	225	Ø245 x H90

1. Nominal performance is measured at steady state at Ta = 25°C

2. Tolerance of measurements for the luminous flux, efficacy, power, CRI and CCT is ±5%

3. Module Power is including electrical loss of OT FIT drivers, refer to Table 2. Driver Matching

Product Code Nomenclature



Mechanical Dimensions

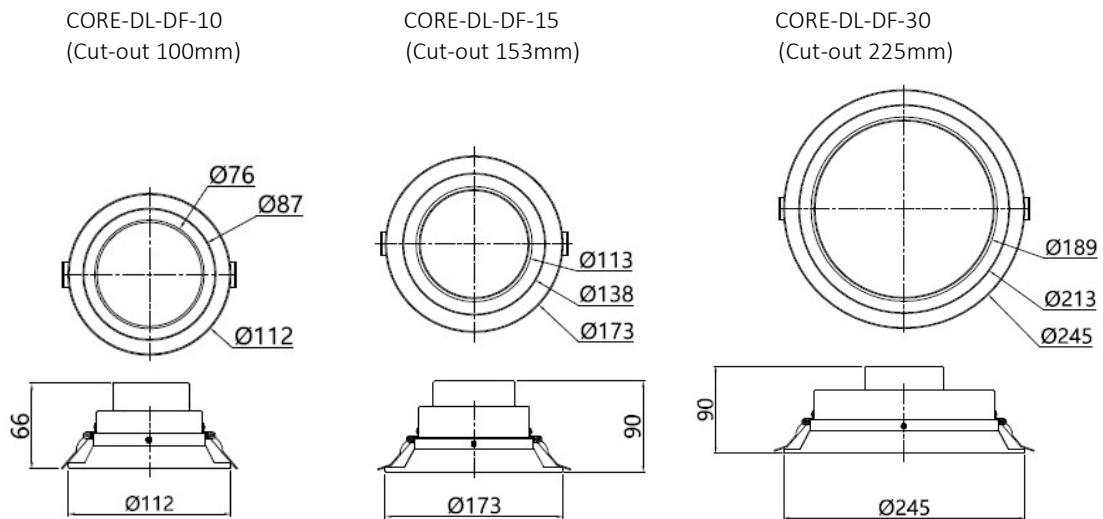


Table 2. Driver Matching

Product Name	OPTOTRONIC Driver Model	Drive Current (mA)	System Flux (Rel. to Table 1)	System Efficacy (Rel. to Table 1)	System Power (W)	System Warranty (years)
CORE-DL-DF-10	OT FIT 20/220...240/500 CS	250	100%	100%	9.8	5
	OT FIT 15/220...240/500 CS S Mini	250	100%	100%	9.7	5
	OT FIT 15/220...240/500 CS S Mini	225	91%	102%	8.6	5
	OT FIT 8/220...240/180 CS S Mini	180	74%	107%	6.8	5
	ELEMENT 10/220...240/250	250	100%	100%	9.9	3
	ELEMENT 10/220...240/250 LPF	250	100%	100%	9.9	3
	ELEMENT 8/220...240/200	200	82%	105%	8.0	3
	OT 25W/PRG1250C/UNV/DIM (1-10V)	250	100%	100%	9.9	5
	OTI DALI 15/220 – 240/1A0 LT2 NFC	250	100%	100%	9.9	5
CORE-DL-DF-15	OT FIT 20/220...240/500 CS	350	100%	100%	14.0	5
	OT FIT 20/220...240/500 CS	250	75%	109%	9.7	5
	ELEMENT 15220...240/350	350	100%	100%	14.0	3
	ELEMENT 12/220...240/300	300	88%	104%	11.9	3
	ELEMENT 10/220...240/250	250	75%	109%	9.8	3

	ELEMENT 10/220...240/250 LPF	250	75%	109%	9.8	3
	OTI DALI 15/220 – 240/1A0 LT2 NFC	350	100%	100%	14.3	5
	OT 25W/PRG1250C/UNV/DIM (1-10V)	350	100%	100%	15.8	5
	OTE 18/220...240/350 PC	350	100%	100%	14.2	5
CORE-DL-DF-30	OT FIT 30/220...240/700 CS	700	100%	100%	27.0	5
	OT FIT 30/220...240/700 CS	650	94%	102%	24.8	5
	OT FIT 30/220...240/700 CS	600	88%	105%	22.6	5
	OT FIT 30/220...240/700 CS	500	75%	110%	18.4	5
	ELEMENT 30/220...240/700	700	100%	100%	27.1	3
	ELEMENT 25/220...240/600	600	88%	105%	22.8	3
	ELEMENT 20/220...240/500	500	75%	110%	18.7	3
	OTE 35/220...240/700 PC	700	100%	100%	27.6	5
	Oti DALI 25/220...240700 LT2 NFC	700	100%	100%	27.2	5
	Oti DALI 25/220...240700 LT2 NFC	600	88%	105%	23.0	5
	Oti DALI 25/220...240700 LT2 NFC	500	75%	110%	19.1	5
	Oti DALI 25/220...240700 LT2	700	100%	100%	27.2	5
	Oti DALI 25/220...240700 LT2	600	88%	105%	23.0	5
	Oti DALI 25/220...240700 LT2	500	75%	110%	19.1	5
	OT 40W/PRG1400C/UNV/DIM (1-10V)	700	100%	100%	28.7	5
	OT 25W/PRG1250C/UNV/DIM (1-10V)	600	88%	105%	24.7	5

Table 3. Ordering Codes

1. CORE-DL-DF-10-A

EAN 10	EAN 40	Product Code	Qty per Package (pcs)	MOQ (pcs)
4052899615946	4052899615991	CORE-DL-DF-10-A-827	48	144
4052899615953	4052899616004	CORE-DL-DF-10-A-830	48	144
4052899615960	4052899616011	CORE-DL-DF-10-A-835	48	144
4052899615977	4052899616028	CORE-DL-DF-10-A-840	48	144
4052899615984	4052899616035	CORE-DL-DF-10-A-865	48	144

2. CORE-DL-DF-15-A

EAN 10	EAN 40	Product Code	Qty per Package (pcs)	MOQ (pcs)
4052899616042	4052899616097	CORE-DL-DF-15-A-827	18	144
4052899616059	4052899616103	CORE-DL-DF-15-A-830	18	144
4052899616066	4052899616110	CORE-DL-DF-15-A-835	18	144
4052899616073	4052899616127	CORE-DL-DF-15-A-840	18	144
4052899616080	4052899616134	CORE-DL-DF-15-A-865	18	144

3. CORE-DL-DF-30-A

EAN 10	EAN 40	Product Code	Qty per Package (pcs)	MOQ (pcs)
4052899616141	4052899616196	CORE-DL-DF-30-A-827	8	144
4052899616158	4052899616202	CORE-DL-DF-30-A-830	8	144
4052899616165	4052899616219	CORE-DL-DF-30-A-835	8	144
4052899616172	4052899616226	CORE-DL-DF-30-A-840	8	144
4052899616189	4052899616233	CORE-DL-DF-30-A-865	8	144