

DECOSTAR 35 TITAN 20 W 12 V 10° GU4

DECOSTAR 35 TITAN | Halogen longlife dichroic reflector lamps 35 mm and glass panel



Areas of application

- General illumination
- Shops
- Restaurants, hotels and similar prestigious applications
- Offices, public buildings

Product benefits

- Brilliant accent light
- Constant bluish appearance of the light escaping at the back of the reflector
- Dichroic reflector reduces the heat in the light beam by up to 66 %
- Constant luminous intensity and constant color location throughout their life
- Flat clear shield
- Approved for use in open luminaires (to IEC 60598-1)
- UV filter
- Contains no mercury

Product features

- Average life: 4,000 h
- Dimmable
- Color rendering index R_a : 100
- Color temperature: 3,000 K



Product datasheet

Technical data

Electrical data

Nominal wattage	20.0 W
Nominal voltage	12.0 V
Rated wattage	20.00 W
Power factor λ	1.00

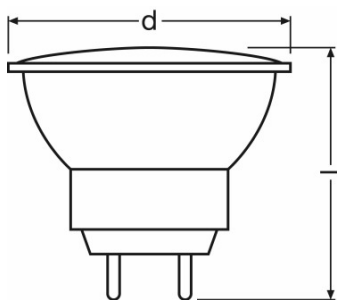
Photometrical data

Nominal useful luminous flux 90°	220 lm
Luminous intensity	3500 cd
Color temperature	3000 K
Light color as per EN 12464-1	Warm White
Color rendering index Ra	100
Rated useful luminous flux 90°	220 lm

Light technical data

Beam angle	10 °
Starting time	0.0 s
Warm-up time (60 %)	0.00 s

Dimensions & weight



Diameter	35.0 mm
Length	40.0 mm
Overall length	42.0 mm
Outer bulb	MR35
Maximum diameter	35.0 mm

Lifespan

Product datasheet

Nominal lamp life time	4000 h
Rated lamp life time	4000 h
Number of switching cycles	100000 ¹⁾
Lumen main.fact.at end of nom.life time	0.75

¹⁾ At 1 min on / 3 min off

Additional product data

Base (standard designation)	GU4
Lamp mercury content	0.0 mg
Mercury-free	Yes

Capabilities

Burning position	Any
Dimmable	Yes

Certificates & standards

Energy efficiency class	B
Energy consumption	22 kWh/1000h

Country specific categorizations

ILCOS	HRGS//UB-20-12-GU4-35/10
Order reference	46890 SP 20W 12

Light Distribution



Spectral power distribution

Logistical Data

Product code	Product description	Packaging unit (Pieces/Unit)	Dimensions (length x width x height)	Volume	Gross weight
4050300529301	DECOSTAR 35 TITAN 20 W 12 V 10° GU4	Shipping carton box 10	178 mm x 58 mm x 81 mm	0.84 dm ³	220.00 g
4052899264229	DECOSTAR 35 TITAN 20 W 12 V 10° GU4	Shipping carton box 294	481 mm x 419 mm x 368 mm	74.17 dm ³	8251.00 g

The mentioned product code describes the smallest quantity unit which can be ordered. One shipping unit can contain one or more single products. When placing an order, for the quantity please enter single or multiples of a shipping unit.

References / Links

For light distribution curves see

- ▶ www.osram.com

Disclaimer

Subject to change without notice. Errors and omission excepted. Always make sure to use the most recent release.