

LED COMFO® ACE DOWNLIGHT

613 / 619 / 823

Data Sheet



The LEDCOMFO® ACE 6" and 8" Down Light provide contractors or end-users a reassuring brand with optimized product specifications under affordable initial investment. It is ideal replacements for 6" - 2x13W / 2x18W and 8" – 2x26W CFL down light with up to 60% of energy savings and 3 times longer life time.

MAJOR BENEFITS

- **Good Efficiency**
80-95lm/W
- **Efficient CFL replacement**
Save 60% energy compared with CFL counterparts
- **Less maintenance**
5 times longer life time than CFL
- **Different CCT**
3000K/4000K/6500K
- **Different wiring methods**
Ready for Cable Wiring & Conduit Wiring
- **Good looking**
Unique OSRAM ID design

APPLICATIONS

- **Replacement for CFL 6" and 8" down light**
Offer the same lumen output as 2x13W, 2x18W and 2x26W CFL at the same size
- **General vertical illumination**
The 95° wide beam makes it suitable for general vertical illumination purpose
- **Application locations**
Office, Shop, Shopping malls, lobby and corridor area

SPECIFICATION

| Parameter | LEDCOMFO ACE 613 830 | LEDCOMFO ACE 613 840 | LEDCOMFO ACE 613 765 |
|---------------------------------------|--|----------------------|----------------------|
| Lumens (lm) | 1050lm | 1100lm | 1200lm |
| Beam Angle | 95° | 95° | 95° |
| Power (typ.) | 13W | 13W | 13W |
| Efficacy (lm/W) | 80lm/W | 85lm/W | 92lm/W |
| CCT (K) | 3000K | 4000K | 6500K |
| CRI | Min. 80 | Min. 80 | Min. 70 |
| Lifetime (L50, T _a @ 25°C) | 50,000 hours | 50,000 hours | 50,000 hours |
| Input Voltage | 220~240VAC 50/60Hz | | |
| Power Factor | 0.9 | | |
| Dimension (mm) | Ø165 x 80 (H) | | |
| Mounting Hole | Ø 150mm | | |
| Installation height | 110mm | | |
| Body Material | Aluminum | | |
| Ceiling thickness | 2~20mm | | |
| Optics | Diffuser cover (PP) | | |
| Weight (g) | 188 | | |
| Ambient (°C) | -20 ... 40°C (T _a in free air) | | |
| Storage (°C) | -20 ... 80°C | | |
| IP Rating | IP20 | | |
| Protection Class | I | | |
| Approval Standard | IEC 60598-1, IEC 60598-2-2, IEC 61347-1, IEC 61347-2-13, IEC 62471, IEC/TR 62471-2, CISPR 15, IEC 61547, IEC 61000-3-2, Glow Wire Test (850°C) | | |
| Approval Mark | CB & CCC | | |
| Flammability | F | | |
| Environment | RoHS | | |
| Packaging | Folding box including installation manual | | |

- 1.) Due to the special conditions of manufacturing processes of LED, the typical data of technical parameters can only reflect statistical figures and do not necessarily correspond to the actual parameters of each single product which could differ from the typical data.
- 2.) Exceeding maximum ratings for operation voltage will cause hazardous overload and will likely destroy the LED module.
- 3.) Exceeding maximum ratings for operation and storage temperature will reduce expected life time or destroy the LED module.

SPECIFICATION

| Parameter | LEDCOMFO ACE 619 830 | LEDCOMFO ACE 619 840 | LEDCOMFO ACE 619 765 |
|---------------------------------------|--|----------------------|----------------------|
| Lumens (lm) | 1520lm | 1600lm | 1750lm |
| Beam Angle | 95° | 95° | 95° |
| Power (typ.) | 19W | 19W | 19W |
| Efficacy (lm/W) | 80lm/W | 84lm/W | 92lm/W |
| CCT (K) | 3000K | 4000K | 6500K |
| CRI | Min. 80 | Min. 80 | Min. 70 |
| Lifetime (L70, T _a @ 25°C) | 30,000 hours | 30,000 hours | 30,000 hours |
| Input Voltage | 220~240VAC 50/60Hz | | |
| Power Factor | 0.9 | | |
| Dimension (mm) | Ø165 x 80 (H) | | |
| Mounting Hole | Ø 150mm | | |
| Installation height | 110mm | | |
| Body Material | Aluminum | | |
| Ceiling thickness | 2~20mm | | |
| Optics | Diffuser cover (PP) | | |
| Weight (g) | 200 | | |
| Ambient (°C) | -20 ... 40°C (T _a in free air) | | |
| Storage (°C) | -20 ... 80°C | | |
| IP Rating | IP20 | | |
| Protection Class | I | | |
| Approval Standard | IEC 60598-1, IEC 60598-2-2, IEC 61347-1, IEC 61347-2-13, IEC 62471, IEC/TR 62471-2, CISPR 15, IEC 61547, IEC 61000-3-2, Glow Wire Test (850°C) | | |
| Approval Mark | CB & CCC | | |
| Flammability | F | | |
| Environment | RoHS | | |
| Packaging | Folding box including installation manual | | |

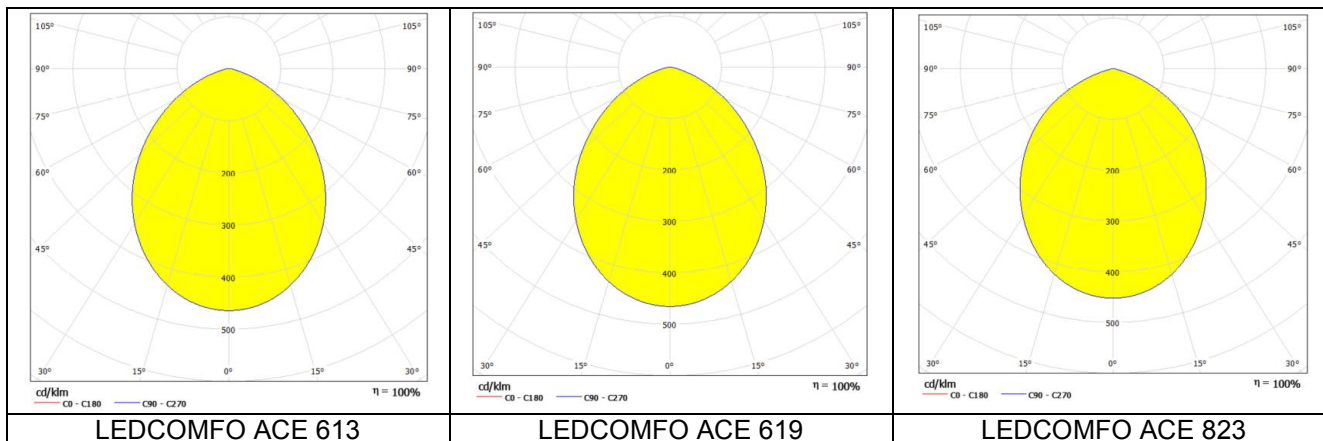
- 1.) Due to the special conditions of manufacturing processes of LED, the typical data of technical parameters can only reflect statistical figures and do not necessarily correspond to the actual parameters of each single product which could differ from the typical data.
- 2.) Exceeding maximum ratings for operation voltage will cause hazardous overload and will likely destroy the LED module.
- 3.) Exceeding maximum ratings for operation and storage temperature will reduce expected life time or destroy the LED module.

SPECIFICATION

| Parameter | LEDCOMFO ACE 823 830 | LEDCOMFO ACE 823 840 | LEDCOMFO ACE 823 765 |
|---------------------------------------|--|----------------------|----------------------|
| Lumens (lm) | 1900lm | 2000lm | 2200lm |
| Beam Angle | 95° | 95° | 95° |
| Power (typ.) | 23W | 23W | 23W |
| Efficacy (lm/W) | 83lm/W | 87lm/W | 95lm/W |
| CCT (K) | 3000K | 4000K | 6500K |
| CRI | Min. 80 | Min. 80 | Min. 70 |
| Lifetime (L70, T _a @ 25°C) | 30,000 hours | 30,000 hours | 30,000 hours |
| Input Voltage | 220~240VAC 50/60Hz | | |
| Power Factor | 0.9 | | |
| Dimension (mm) | Ø216 x 90 (H) | | |
| Mounting Hole | Ø 200mm | | |
| Installation height | 120mm | | |
| Body Material | Aluminum | | |
| Ceiling thickness | 2~20mm | | |
| Optics | Diffuser cover (PP) | | |
| Weight (g) | 234 | | |
| Ambient (°C) | -20 ... 40°C (T _a in free air) | | |
| Storage (°C) | -20 ... 80°C | | |
| IP Rating | IP20 | | |
| Protection Class | I | | |
| Approval Standard | IEC 60598-1, IEC 60598-2-2, IEC 61347-1, IEC 61347-2-13, IEC 62471, IEC/TR 62471-2, CISPR 15, IEC 61547, IEC 61000-3-2, Glow Wire Test (850°C) | | |
| Approval Mark | CB & CCC | | |
| Flammability | F | | |
| Environment | RoHS | | |
| Packaging | Folding box including installation manual | | |

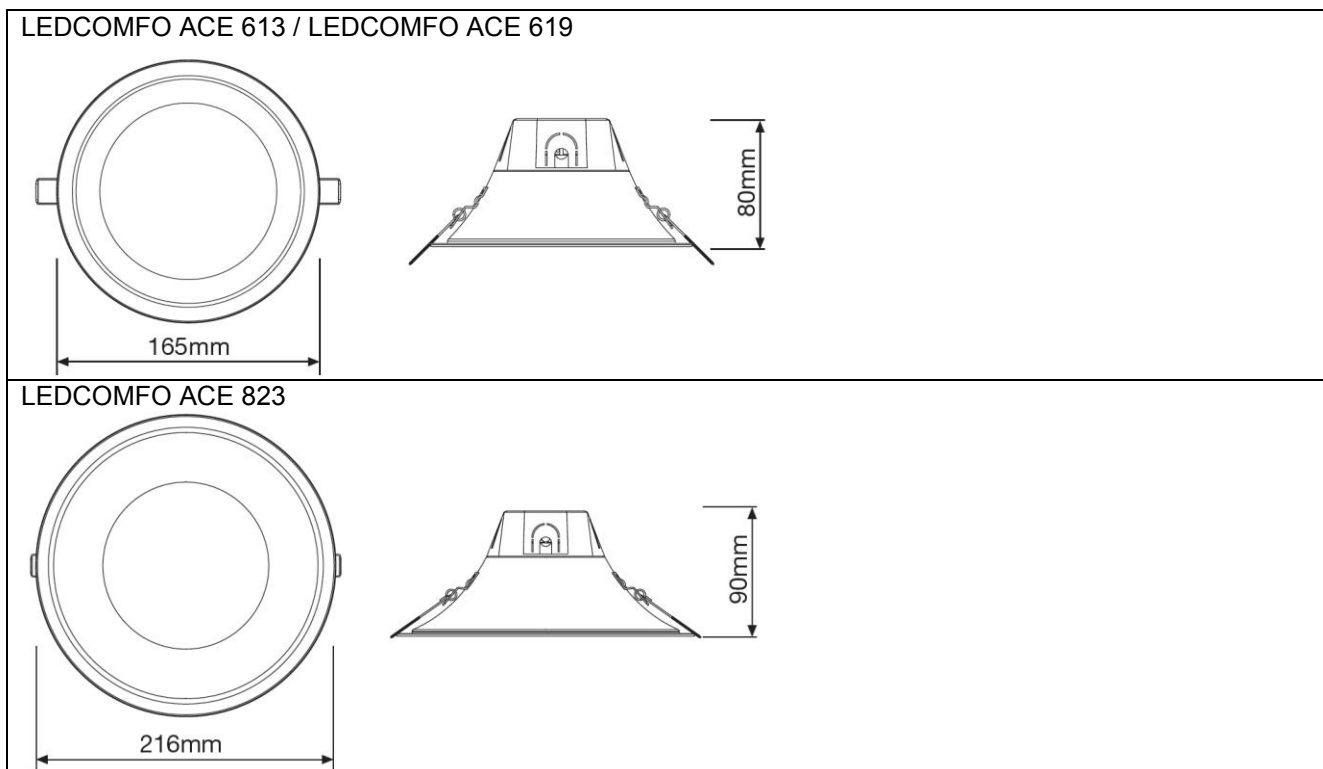
- 1.) Due to the special conditions of manufacturing processes of LED, the typical data of technical parameters can only reflect statistical figures and do not necessarily correspond to the actual parameters of each single product which could differ from the typical data.
- 2.) Exceeding maximum ratings for operation voltage will cause hazardous overload and will likely destroy the LED module.
- 3.) Exceeding maximum ratings for operation and storage temperature will reduce expected life time or destroy the LED module.

PHOTOMETRICS



Note: Due to manufacturing processes of LED, the polar candela distribution and distance illuminance only reflect statistical figures and do not necessarily correspond to the actual parameters of individual product that may differ from the typical values.

DRAWINGS



ORDERING CODE

| Product Short Text | EAN10 | EAN40 | Pack Size Pcs/carton |
|---------------------------------|---------------|---------------|----------------------|
| LEDCOMFO ACE 613 830 18X1 OSRAM | 4052899216037 | 4052899216044 | 18 |
| LEDCOMFO ACE 613 840 18X1 OSRAM | 4052899216051 | 4052899216068 | 18 |
| LEDCOMFO ACE 613 765 18X1 OSRAM | 4052899216075 | 4052899216082 | 18 |
| LEDCOMFO ACE 619 830 18X1 OSRAM | 4052899216099 | 4052899216105 | 18 |
| LEDCOMFO ACE 619 840 18X1 OSRAM | 4052899216112 | 4052899216129 | 18 |
| LEDCOMFO ACE 619 765 18X1 OSRAM | 4052899216136 | 4052899216143 | 18 |
| LEDCOMFO ACE 823 830 12X1 OSRAM | 4052899216150 | 4052899216167 | 12 |
| LEDCOMFO ACE 823 840 12X1 OSRAM | 4052899216174 | 4052899216181 | 12 |
| LEDCOMFO ACE 823 765 12X1 OSRAM | 4052899216198 | 4052899216204 | 12 |

SALES & TECHNICAL SUPPORT

OSRAM Asia Pacific

5F Hantang Building OCT
Nanshan District, Shenzhen 518053
+86 755 3322 4952
www.osram.com

Sales and technical support is given by the local OSRAM subsidiaries. Complete subsidiaries listing is available at OSRAM homepage.